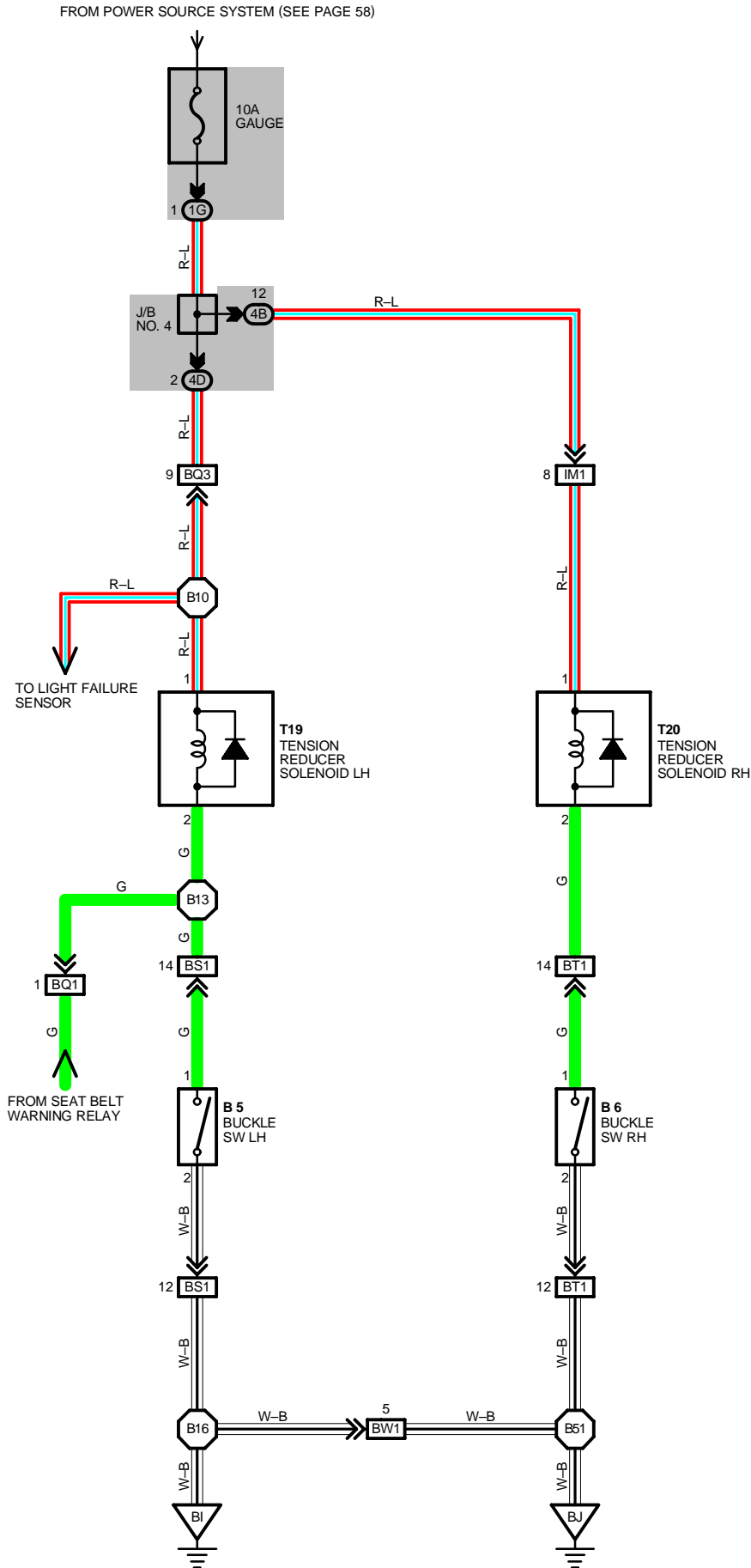


ELECTRIC TENSION REDUCER



SERVICE HINTS

B 5 BUCKLE SW LH

1-2 : CLOSED WITH DRIVER'S LAP BELT IN USE

B 6 BUCKLE SW RH

1-2 : CLOSED WITH PASSENGER'S LAP BELT IN USE

T19, T20 TENSION REDUCER SOLENOID LH, RH

2-GROUND : APPROX. 12 VOLTS WITH IGNITION SW AT ON POSITION

○ : PARTS LOCATION

CODE	SEE PAGE	CODE	SEE PAGE	CODE	SEE PAGE
B 5	32	T19	31		
B 6	32	T20	31		

○ : JUNCTION BLOCK AND WIRE HARNESS CONNECTOR

CODE	SEE PAGE	JUNCTION BLOCK AND WIRE HARNESS (CONNECTOR LOCATION)
1G	20	COWL WIRE AND J/B NO. 1 (LEFT SIDE OF STEERING COLUMN TUBE)
4B	25	COWL WIRE AND J/B NO. 4 (BEHIND THE COMBINATION METER)
4D		

□ : CONNECTOR JOINING WIRE HARNESS AND WIRE HARNESS

CODE	SEE PAGE	JOINING WIRE HARNESS AND WIRE HARNESS (CONNECTOR LOCATION)
IM1	38	FLOOR NO. 1 WIRE AND COWL WIRE (UNDER THE GLOVE BOX)
BQ1	40	COWL WIRE AND FLOOR NO. 2 WIRE (LEFT KICK PANEL)
BQ3		
BS1	42	FLOOR NO. 2 WIRE AND FRONT SEAT LH WIRE (UNDER THE FRONT LH SEAT)
BT1	42	FLOOR NO. 1 WIRE AND FRONT SEAT RH WIRE (UNDER THE FRONT RH SEAT)
BW1	40	FLOOR NO. 1 WIRE AND FLOOR NO. 2 WIRE (UNDER THE LEFT SIDE OF REAR SEAT CUSHION)

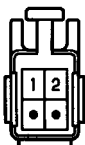
▽ : GROUND POINTS

CODE	SEE PAGE	GROUND POINTS LOCATION
BI	40	UNDER THE LEFT REAR PILLAR
BJ	40	UNDER THE RIGHT REAR PILLAR

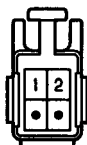
○ : SPLICE POINTS

CODE	SEE PAGE	WIRE HARNESS WITH SPLICE POINTS	CODE	SEE PAGE	WIRE HARNESS WITH SPLICE POINTS
B10	40	FLOOR NO. 2 WIRE	B16	40	FLOOR NO. 2 WIRE
B13			B51	40	FLOOR NO. 1 WIRE

B 5



B 6



T19



T20

