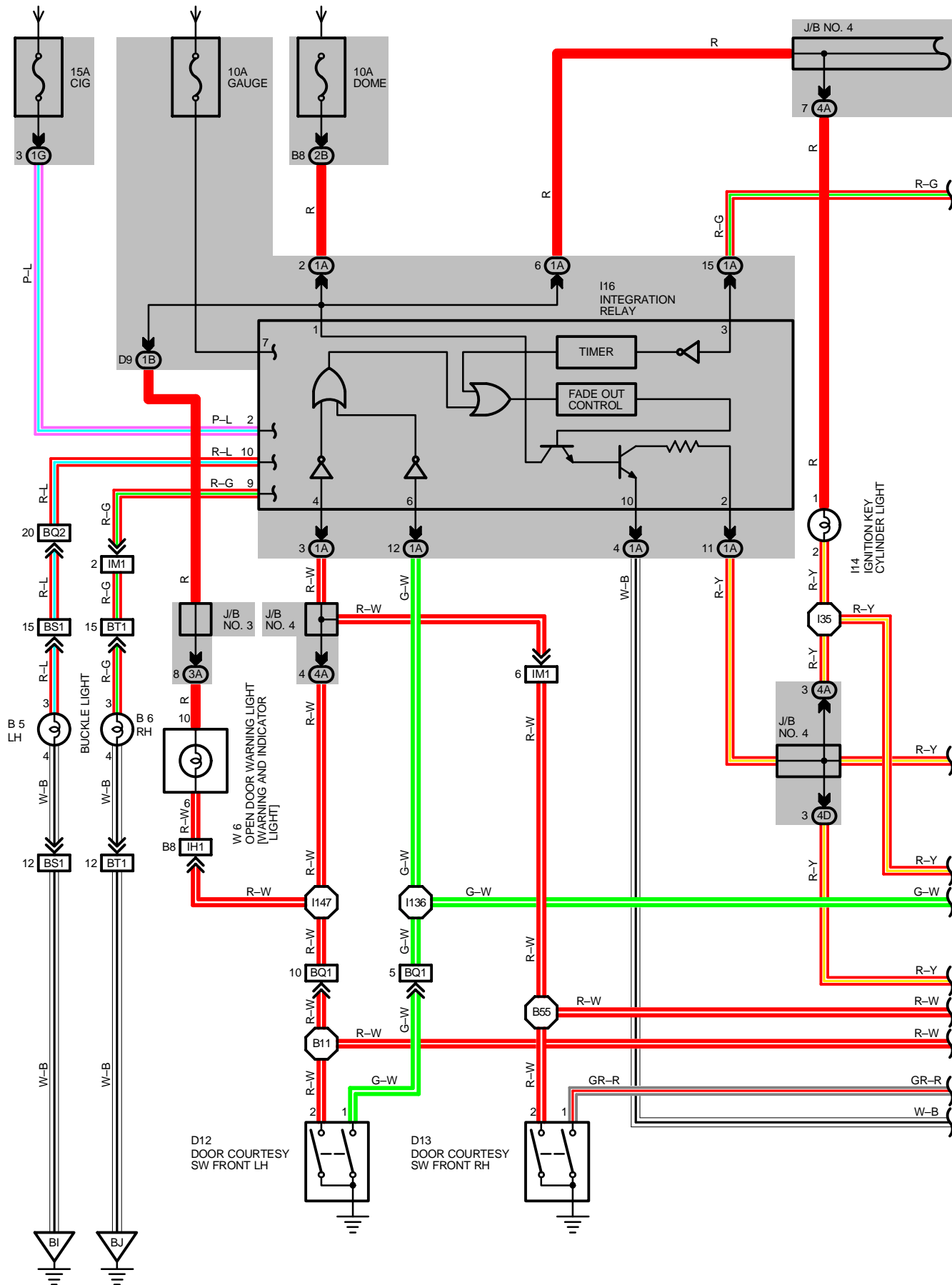
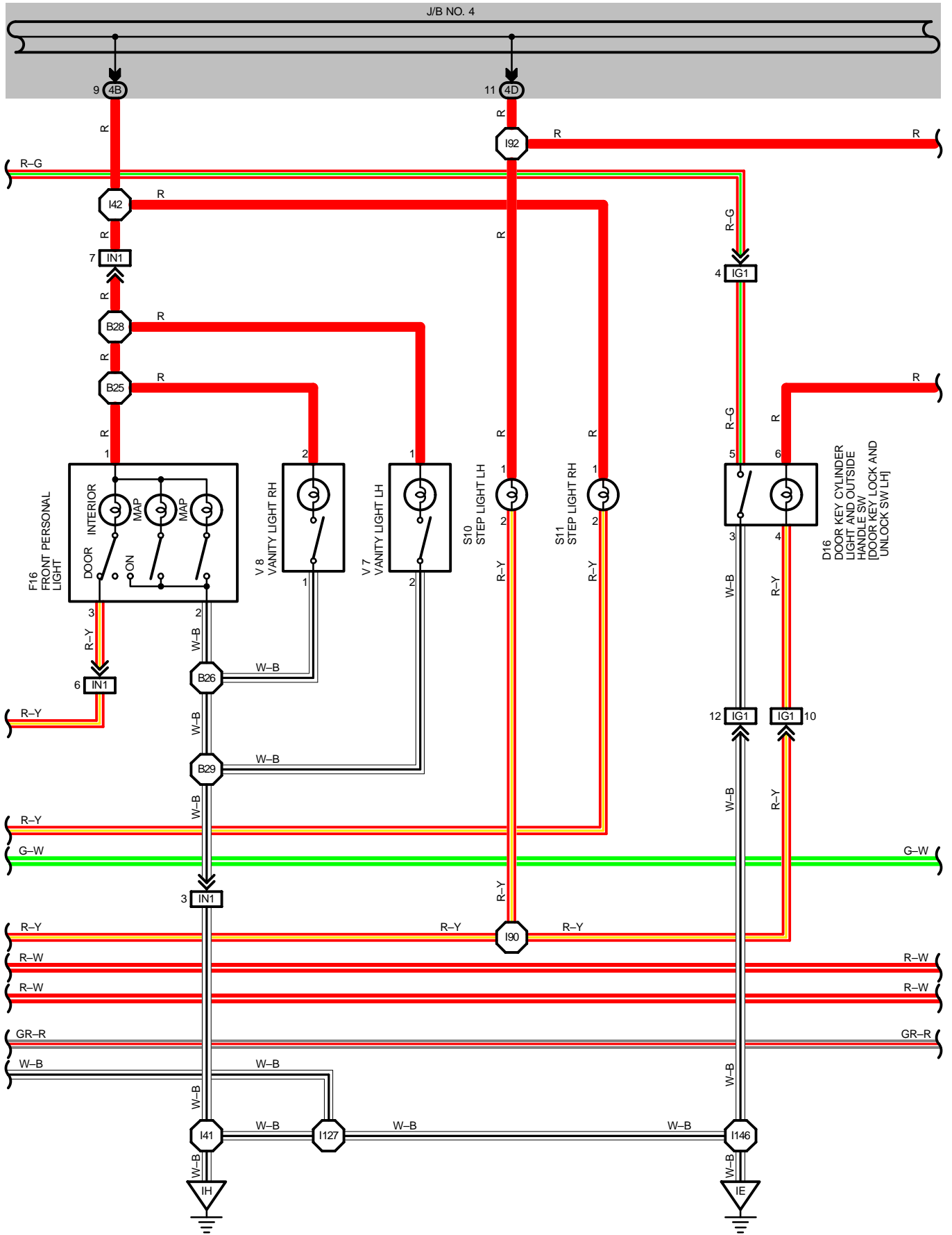


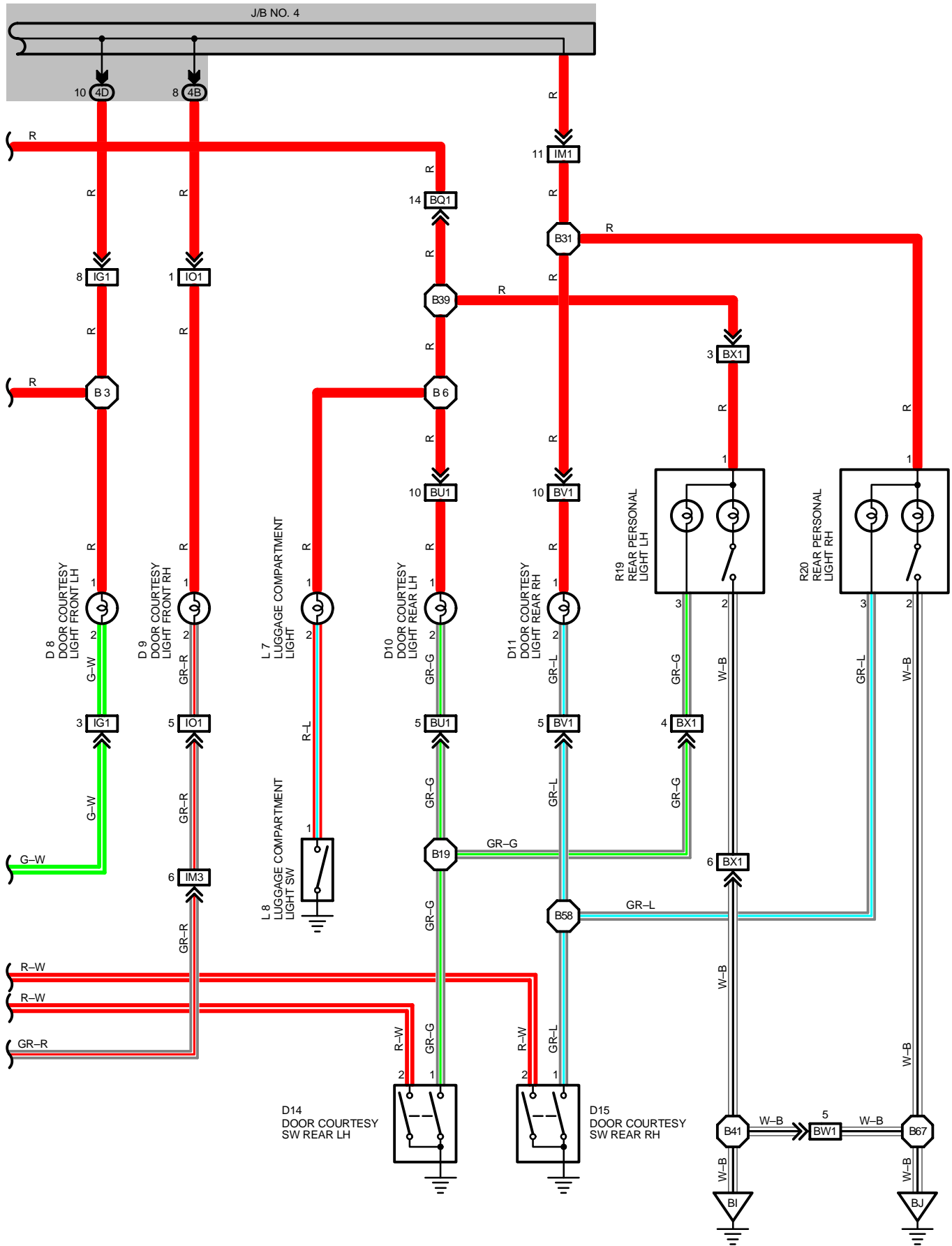
INTERIOR LIGHT

FROM POWER SOURCE SYSTEM (SEE PAGE 58)





INTERIOR LIGHT



SERVICE HINTS

INTEGRATION RELAY

- 1-GROUND : ALWAYS APPROX. 12 VOLTS
- 4-GROUND : CONTINUITY WITH EACH DOOR (FRONT LH AND RH, REAR LH AND RH) OPEN
- 6-GROUND : CONTINUITY WITH FRONT LH DOOR OPEN

D12, D13, D14, D15 DOOR COURTESY SW FRONT LH, RH, REAR LH, RH

- 1, 2-GROUND : CLOSED WITH DOOR OPEN

L 8 LUGGAGE COMPARTMENT LIGHT SW

- 1-GROUND : CLOSED WITH LUGGAGE COMPARTMENT DOOR OPEN

○ : PARTS LOCATION

CODE	SEE PAGE	CODE	SEE PAGE	CODE	SEE PAGE
B 5	32	D14	30	R19	31
B 6	32	D15	30	R20	31
D 8	30	D16	30	S10	29
D 9	30	F16	30	S11	29
D10	30	I14	28	V 7	31
D11	30	I16	28	V 8	31
D12	30	L 7	30	W 6	29
D13	30	L 8	30		

○ : JUNCTION BLOCK AND WIRE HARNESS CONNECTOR

CODE	SEE PAGE	JUNCTION BLOCK AND WIRE HARNESS (CONNECTOR LOCATION)
1A	20	COWL WIRE AND J/B NO. 1 (LEFT SIDE OF STEERING COLUMN TUBE)
1B	20	INSTRUMENT PANEL WIRE AND J/B NO. 1 (LEFT SIDE OF STEERING COLUMN TUBE)
1G	20	COWL WIRE AND J/B NO. 1 (LEFT SIDE OF STEERING COLUMN TUBE)
2B	22	COWL WIRE AND J/B NO. 2 (ENGINE COMPARTMENT LEFT)
3A	24	INSTRUMENT PANEL WIRE AND J/B NO. 3 (BEHIND THE INSTRUMENT PANEL CENTER)
4A	25	COWL WIRE AND J/B NO. 4 (BEHIND THE COMBINATION METER)
4B		
4D		

□ : CONNECTOR JOINING WIRE HARNESS AND WIRE HARNESS

CODE	SEE PAGE	JOINING WIRE HARNESS AND WIRE HARNESS (CONNECTOR LOCATION)
IG1	36	FRONT DOOR LH WIRE AND COWL WIRE (LEFT KICK PANEL)
IH1	36	INSTRUMENT PANEL WIRE AND COWL WIRE (J/B NO. 1)
IM1	38	FLOOR NO. 1 WIRE AND COWL WIRE (UNDER THE GLOVE BOX)
IM3	38	COWL WIRE AND FLOOR NO. 1 WIRE (RIGHT KICK PANEL)
IN1	38	COWL WIRE AND ROOF WIRE (BEHIND GLOVE BOX)
IO1	38	FRONT DOOR RH WIRE AND COWL WIRE (RIGHT KICK PANEL)
BQ1	40	COWL WIRE AND FLOOR NO. 2 WIRE (LEFT KICK PANEL)
BQ2		
BS1	42	FLOOR NO. 2 WIRE AND FRONT SEAT LH WIRE (UNDER THE FRONT LH SEAT)
BT1	42	FLOOR NO. 1 WIRE AND FRONT SEAT RH WIRE (UNDER THE FRONT RH SEAT)
BU1	40	REAR DOOR LH WIRE AND FLOOR NO. 2 WIRE (LEFT CENTER PILLAR)
BV1	40	REAR DOOR RH WIRE AND FLOOR NO. 1 WIRE (RIGHT CENTER PILLAR)
BW1	40	FLOOR NO. 1 WIRE AND FLOOR NO. 2 WIRE (UNDER THE LEFT SIDE OF REAR SEAT CUSHION)
BX1	40	FLOOR NO. 3 WIRE AND FLOOR NO. 2 WIRE (UNDER THE LEFT REAR PILLAR)

▽ : GROUND POINTS

CODE	SEE PAGE	GROUND POINTS LOCATION
IE	36	LEFT KICK PANEL
IH	36	RIGHT KICK PANEL
BI	40	UNDER THE LEFT REAR PILLAR
BJ	40	UNDER THE RIGHT REAR PILLAR

INTERIOR LIGHT

 : SPLICE POINTS

CODE	SEE PAGE	WIRE HARNESS WITH SPLICE POINTS	CODE	SEE PAGE	WIRE HARNESS WITH SPLICE POINTS
I35	38	COWL WIRE	B19	40	FLOOR NO. 2 WIRE
I41			B25	40	ROOF WIRE
I42			B26		
I90			B28		
I92			B29		
I127			B31	40	FLOOR NO. 1 WIRE
I136			B39	40	FLOOR NO. 2 WIRE
I146			B41		
I147			B55		
B 3			40	FRONT DOOR LH WIRE	B58
B 6	40	FLOOR NO.2 WIRE	B67		
B11					

