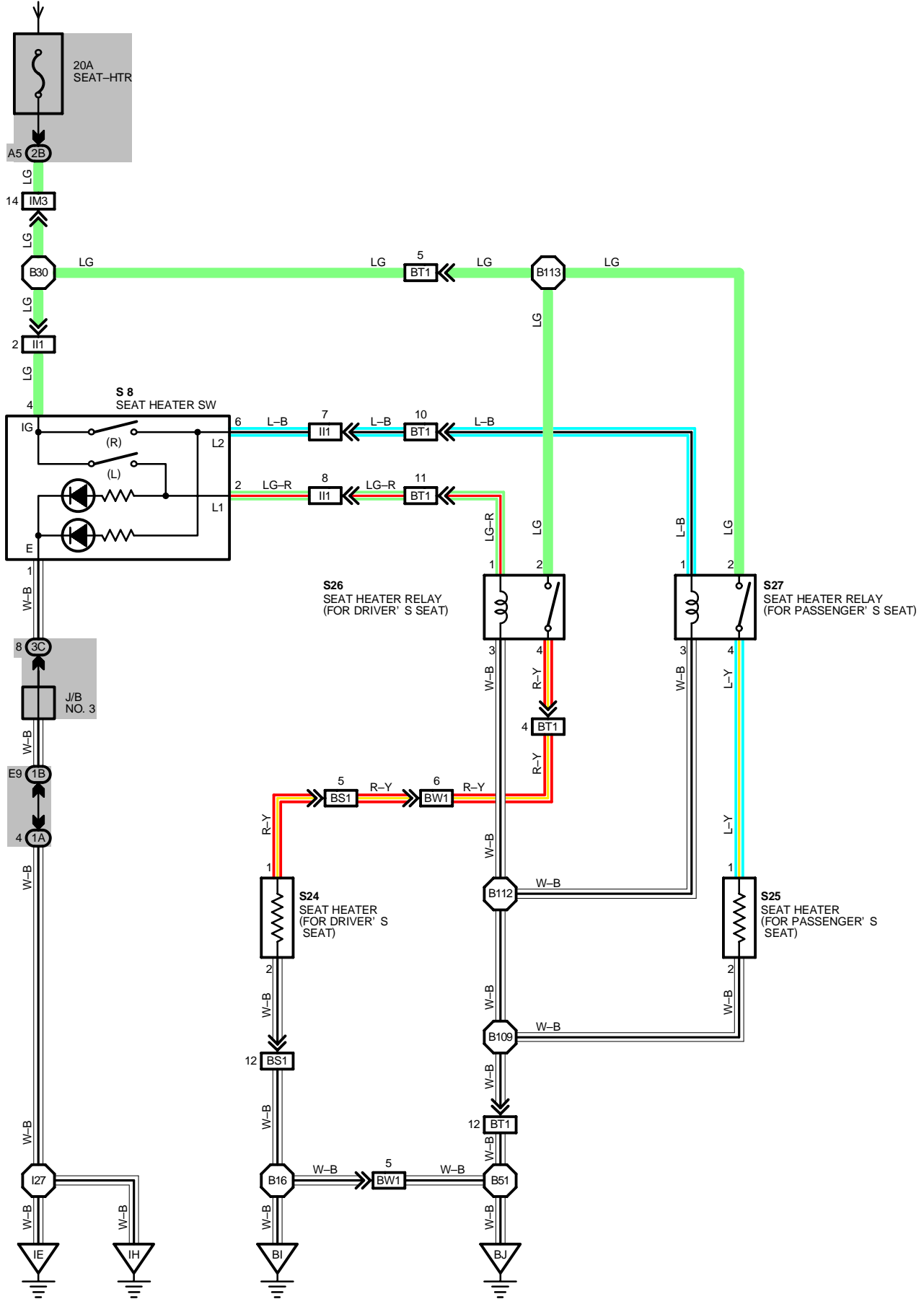


SEAT HEATER

FROM POWER SOURCE SYSTEM (SEE PAGE 58)



SERVICE HINTS

S 8 SEAT HEATER SW

- 4-GROUND : APPROX. 12 VOLTS WITH IGNITION SW AT ON POSITION
- 1-GROUND : ALWAYS CONTINUITY

S26 SEAT HEATER RELAY (FOR DRIVER'S SEAT)

- 2-4 : CLOSED WITH SEAT HEATER SW (L) ON

S27 SEAT HEATER RELAY (FOR PASSENGER'S SEAT)

- 2-4 : CLOSED WITH SEAT HEATER SW (R) ON

○ : PARTS LOCATION

CODE	SEE PAGE	CODE	SEE PAGE	CODE	SEE PAGE
S 8	29	S25	32	S27	32
S24	32	S26	32		

○ : JUNCTION BLOCK AND WIRE HARNESS CONNECTOR

CODE	SEE PAGE	JUNCTION BLOCK AND WIRE HARNESS (CONNECTOR LOCATION)
1A	20	COWL WIRE AND J/B NO. 1 (LEFT SIDE OF STEERING COLUMN TUBE)
1B	20	INSTRUMENT PANEL WIRE AND J/B NO. 1 (LEFT SIDE OF STEERING COLUMN TUBE)
2B	22	COWL WIRE AND J/B NO. 2 (ENGINE COMPARTMENT LEFT)
3C	24	INSTRUMENT PANEL WIRE AND J/B NO. 3 (BEHIND THE INSTRUMENT PANEL CENTER)

□ : CONNECTOR JOINING WIRE HARNESS AND WIRE HARNESS

CODE	SEE PAGE	JOINING WIRE HARNESS AND WIRE HARNESS (CONNECTOR LOCATION)
II1	36	INSTRUMENT PANEL WIRE AND FLOOR NO. 1 WIRE (UNDER THE INSTRUMENT PANEL BRACE RH)
IM3	38	COWL WIRE AND FLOOR NO. 1 WIRE (RIGHT KICK PANEL)
BS1	42	FLOOR NO. 2 WIRE AND FRONT SEAT LH WIRE (UNDER THE FRONT LH SEAT)
BT1	42	FLOOR NO. 1 WIRE AND FRONT SEAT RH WIRE (UNDER THE FRONT RH SEAT)
BW1	40	FLOOR NO. 1 WIRE AND FLOOR NO. 2 WIRE (UNDER THE LEFT SIDE OF REAR SEAT CUSHION)

▽ : GROUND POINTS

CODE	SEE PAGE	GROUND POINTS LOCATION
IE	36	LEFT KICK PANEL
IH	36	RIGHT KICK PANEL
BI	40	UNDER THE LEFT REAR PILLAR
BJ	40	UNDER THE RIGHT REAR PILLAR

○ : SPLICE POINTS

CODE	SEE PAGE	WIRE HARNESS WITH SPLICE POINTS	CODE	SEE PAGE	WIRE HARNESS WITH SPLICE POINTS
I27	38	COWL WIRE	B109	42	FRONT SEAT RH WIRE
B16	40	FLOOR NO. 2 WIRE	B112		
B30	40	FLOOR NO. 1 WIRE	B113		
B51					

