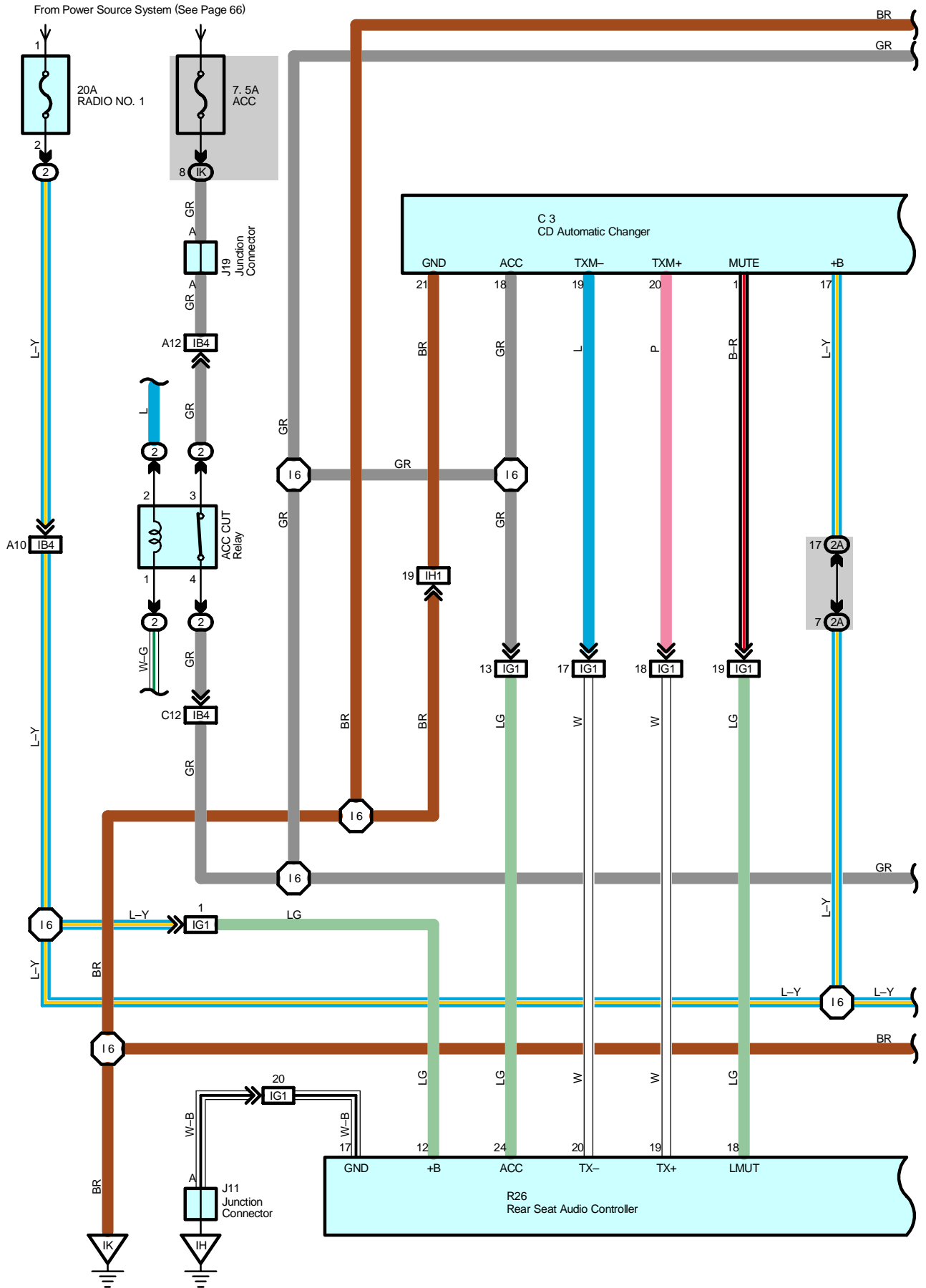
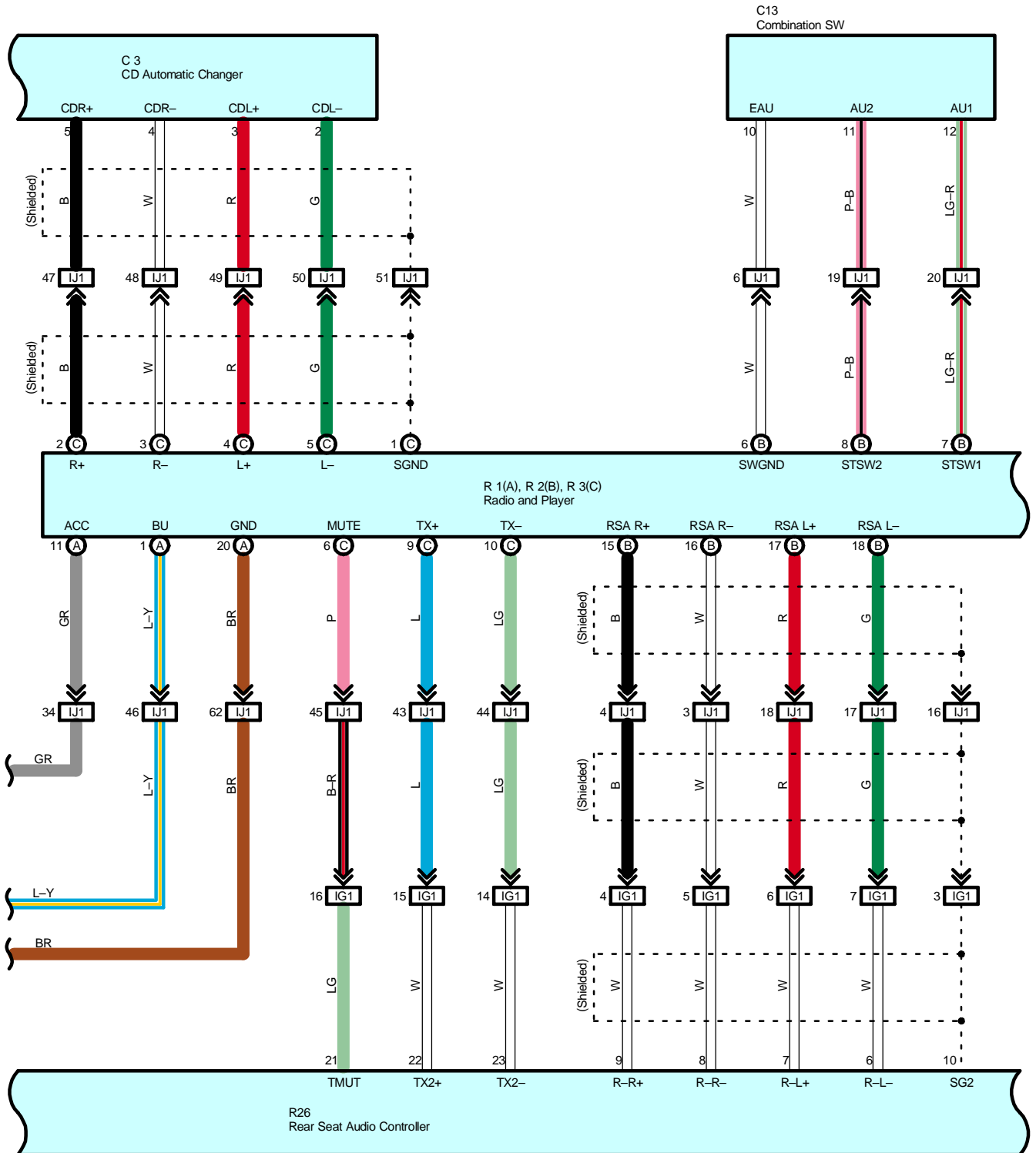
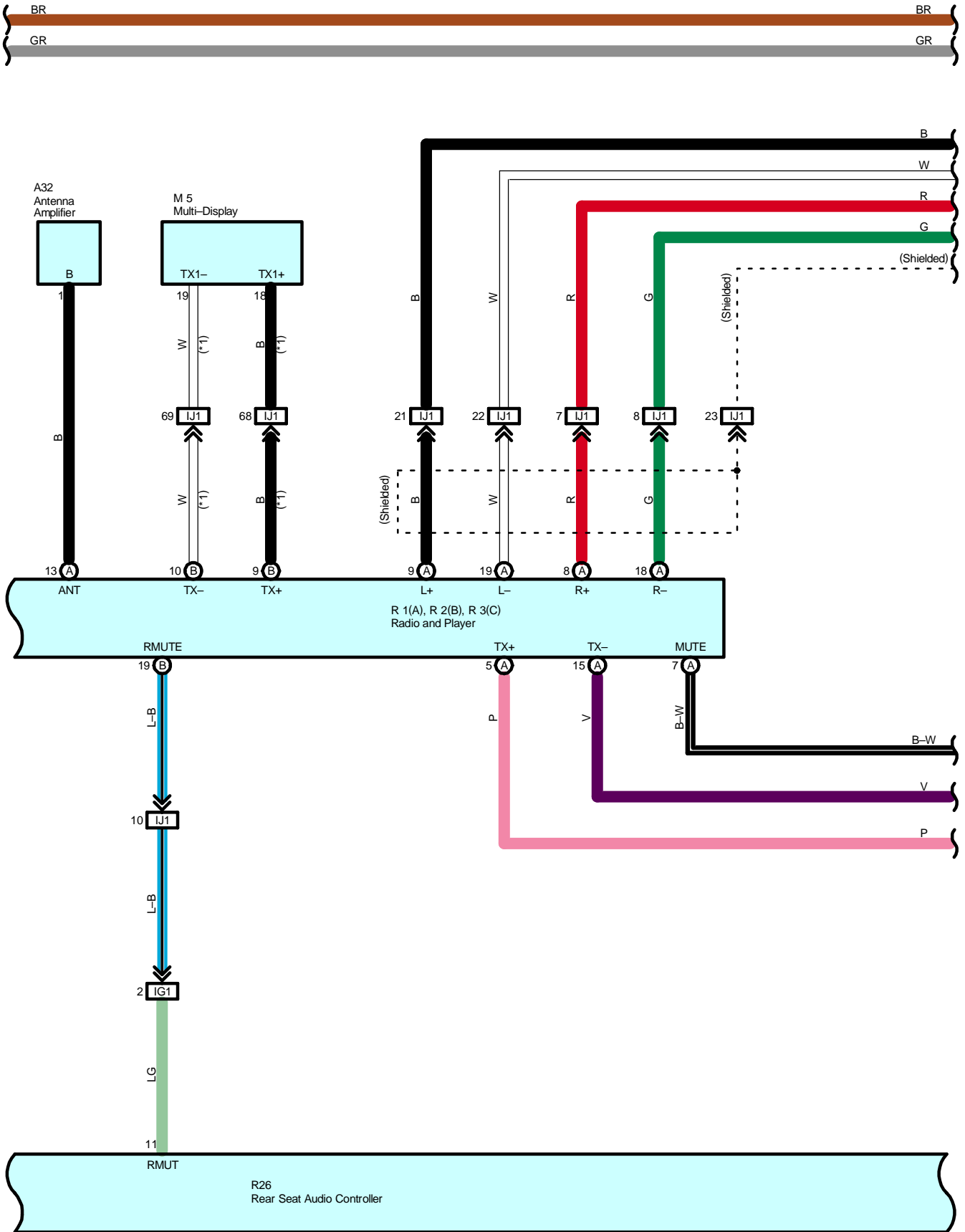


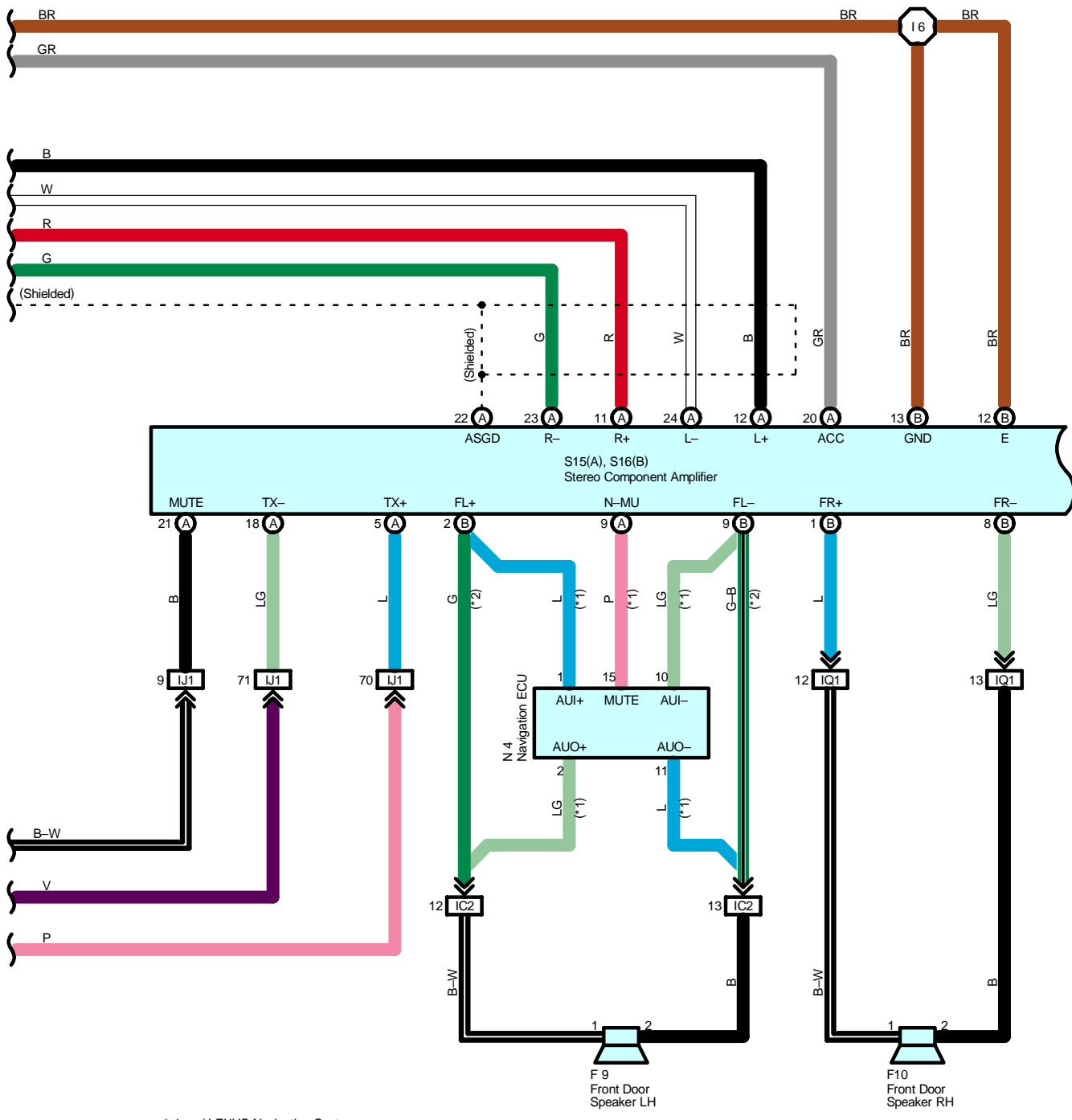
Audio System without RSES



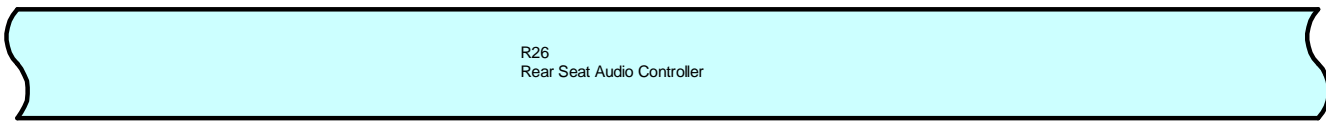


Audio System without RSES



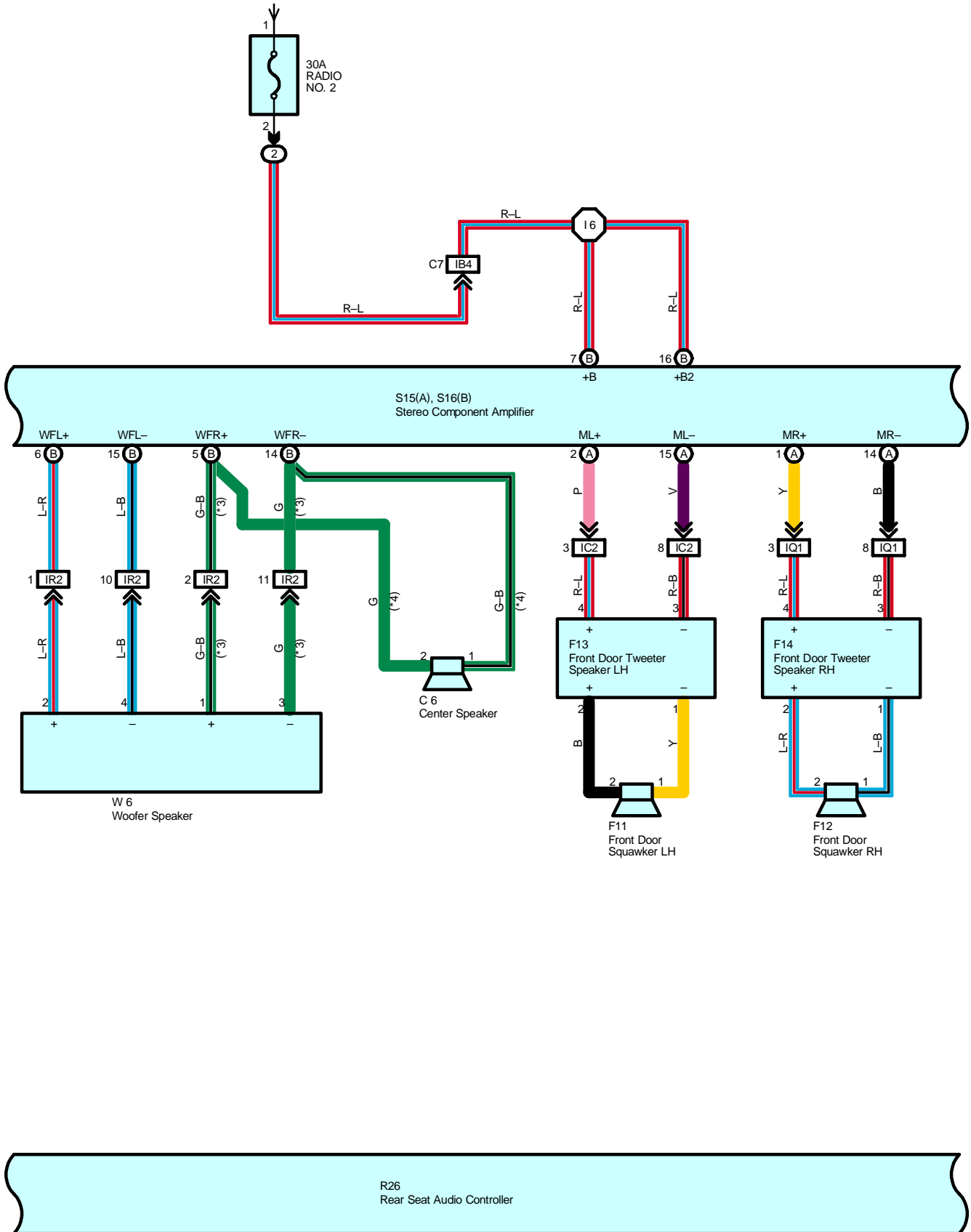


* 1 : w/ LEXUS Navigation System
 * 2 : w/o LEXUS Navigation System

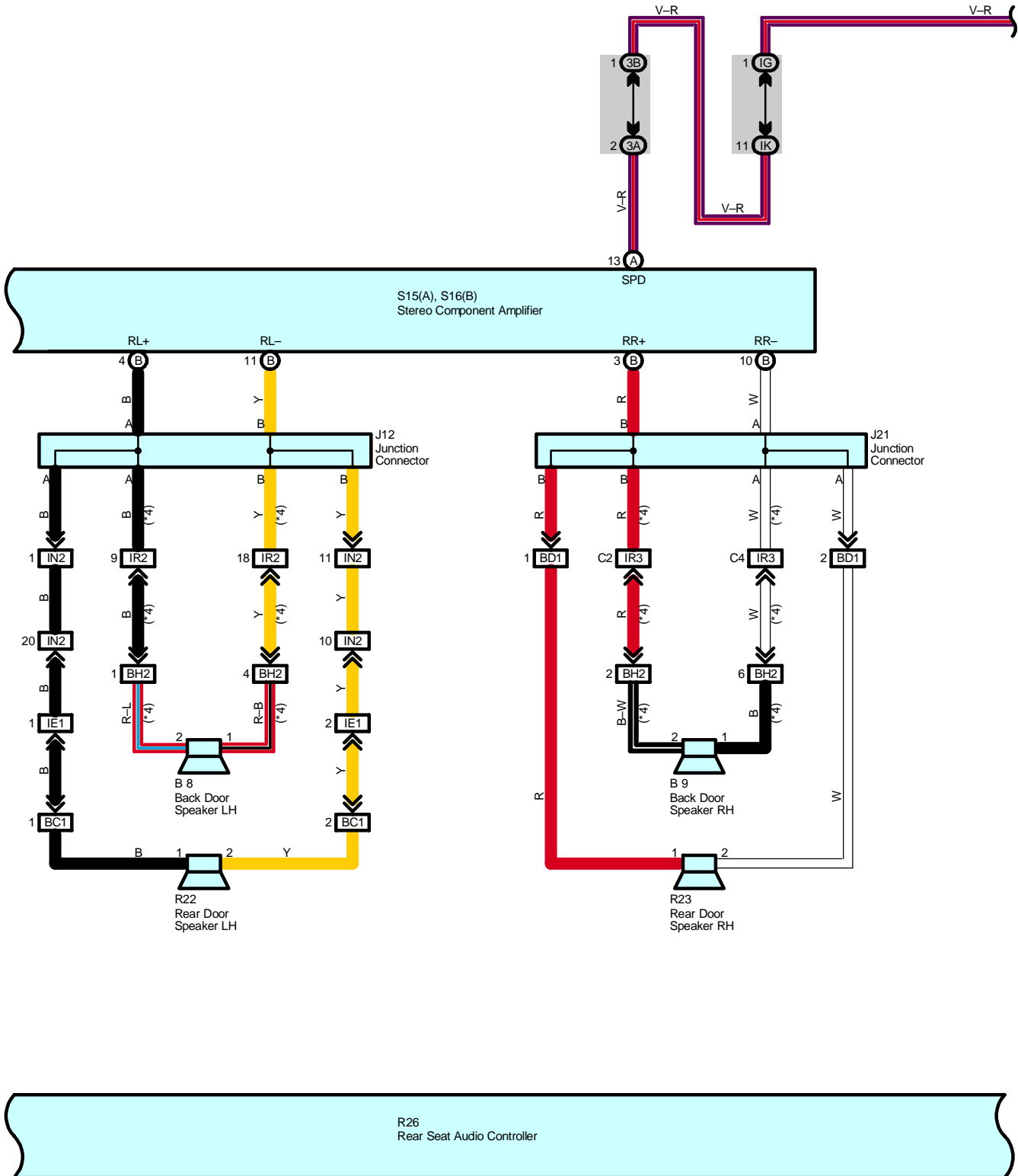


Audio System without RSES

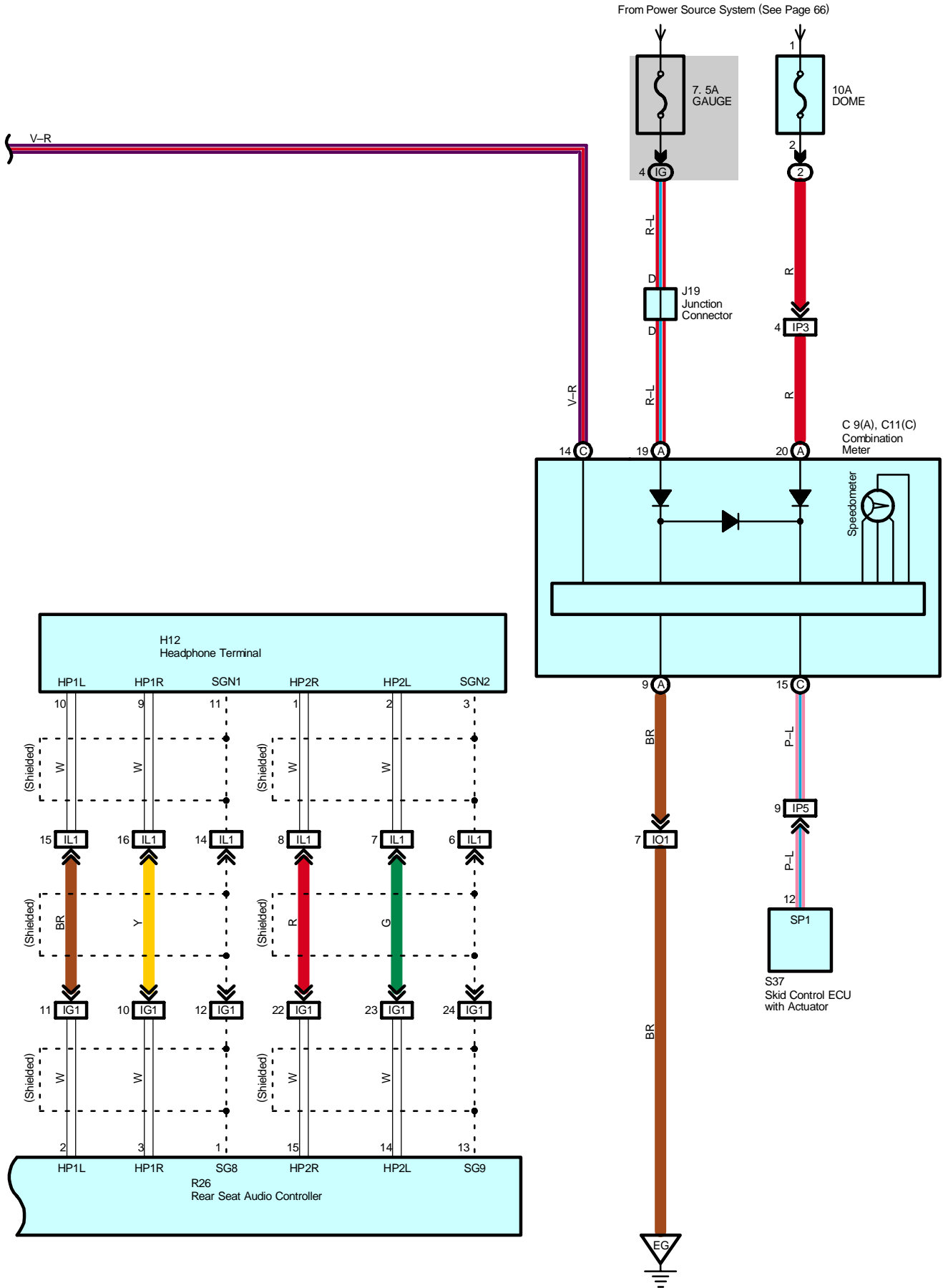
From Power Source System (See Page 66)



* 3 : 9 Speaker
 * 4 : 12 Speaker



Audio System without RSES



Service Hints

R26 Rear Seat Audio Controller

- 17–Ground : Always continuity
- 12–Ground : Always approx. 12 volts
- 24–Ground : Approx. 12 volts with the ignition SW at ACC or ON position

C3 CD Automatic Changer

- 21–Ground : Always continuity
- 17–Ground : Always approx. 12 volts
- 18–Ground : Approx. 12 volts with the ignition SW at ACC or ON position

R1 (A) Radio and Player

- (A)20–Ground : Always continuity
- (A) 1–Ground : Always approx. 12 volts
- (A)11–Ground : Approx. 12 volts with the ignition SW at ACC or ON position

S15 (A), S16 (B) Stereo Component Amplifier

- (B)12, (B) 13–Ground: Always continuity
- (B) 7, (B) 16–Ground : Always approx. 12 volts
- (A)20–Ground : Approx. 12 volts with the ignition SW at ACC or ON position

○ : Parts Location

Code	See Page	Code	See Page	Code	See Page
A32	38	F12	43	R2	B 41
B8	42	F13	43	R3	C 41
B9	42	F14	43	R22	44
C3	38	H12	39	R23	44
C6	38	J11	40	R26	44
C9	A 38	J12	40	S15	A 41
C11	C 38	J19	40	S16	B 41
C13	38	J21	40	S37	37
F9	43	M5	40	W6	45
F10	43	N4	40		
F11	43	R1	A 41		

○ : Relay Blocks

Code	See Page	Relay Blocks (Relay Block Location)
2	22	Engine Room R/B (Engine Compartment Left)

○ : Junction Block and Wire Harness Connector

Code	See Page	Junction Block and Wire Harness (Connector Location)
IG	27	Instrument Panel Wire and Driver Side J/B (Lower Finish Panel)
IK		
2A	32	Instrument Panel Wire and J/B No.2 (Instrument Panel Reinforcement Center)
3A	34	Instrument Panel Wire and J/B No.3 (Instrument Panel Reinforcement Right)
3B		

Audio System without RSES

: Connector Joining Wire Harness and Wire Harness

Code	See Page	Joining Wire Harness and Wire Harness (Connector Location)
IB4	50	Instrument Panel Wire and Engine Room Main Wire (Left Kick Panel)
IC2	50	Front Door LH Wire and Instrument Panel Wire (Left Kick Panel)
IE1	52	Instrument Panel Wire and Instrument Panel Wire (Left Kick Panel)
IG1	52	Radio Installation Sub Wire and Instrument Panel Wire (Upper the Driver Side J/B)
IH1	52	Instrument Panel Wire and Instrument Panel Wire (Near the J/B No.1)
IJ1	52	Instrument Panel Wire and Instrument Panel No.2 Wire (Instrument Panel Brace LH)
IL1	52	Radio Installation Sub Wire and Instrument Panel Wire (Under the Instrument Panel Brace LH)
IN2	54	Instrument Panel Wire and Instrument Panel Wire (Under the Instrument Panel Brace RH)
IO1	54	Engine Wire and Instrument Panel Wire (Right Side of the Blower Unit)
IP3	54	Instrument Panel Wire and Engine Room Main Wire (Right Kick Panel)
IP5		
IQ1	56	Front Door RH Wire and Instrument Panel Wire (Right Kick Panel)
IR2	56	Instrument Panel Wire and Floor Wire (Right Kick Panel)
IR3		
BC1	58	Rear Door LH Wire and Instrument Panel Wire (Center Pillar LH)
BD1	58	Rear Door RH Wire and Instrument Panel Wire (Center Pillar RH)
BH2	60	Back Door No.1 Wire and Floor Wire (Right Quarter Panel Inner)

: Ground Points

Code	See Page	Ground Points Location
EG	48	Rear Bank of Left Cylinder Head
IH	50	Left Kick Panel
IK	50	Instrument Panel Brace LH

: Splice Points

Code	See Page	Wire Harness with Splice Points	Code	See Page	Wire Harness with Splice Points
I6	52	Instrument Panel Wire			

