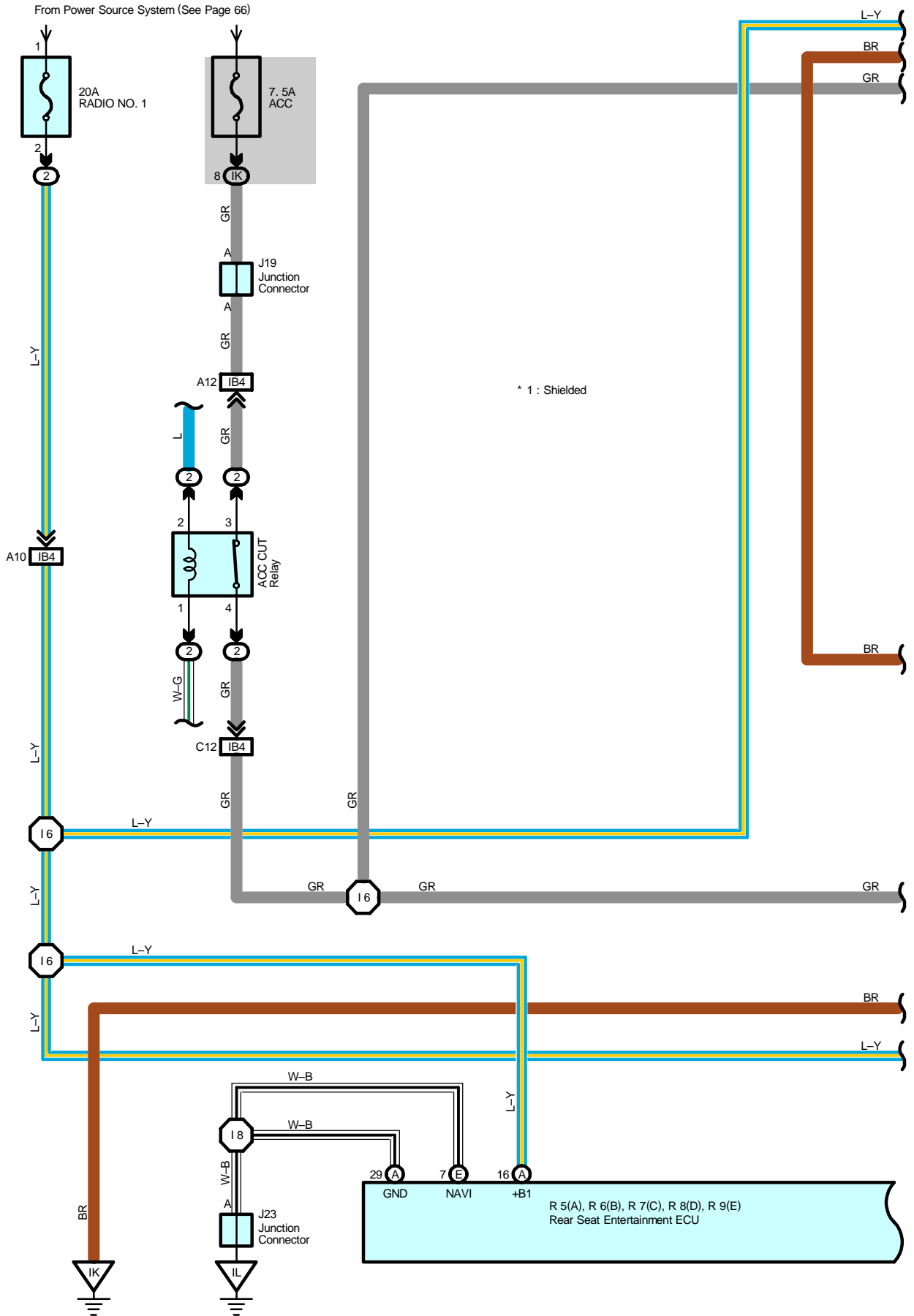
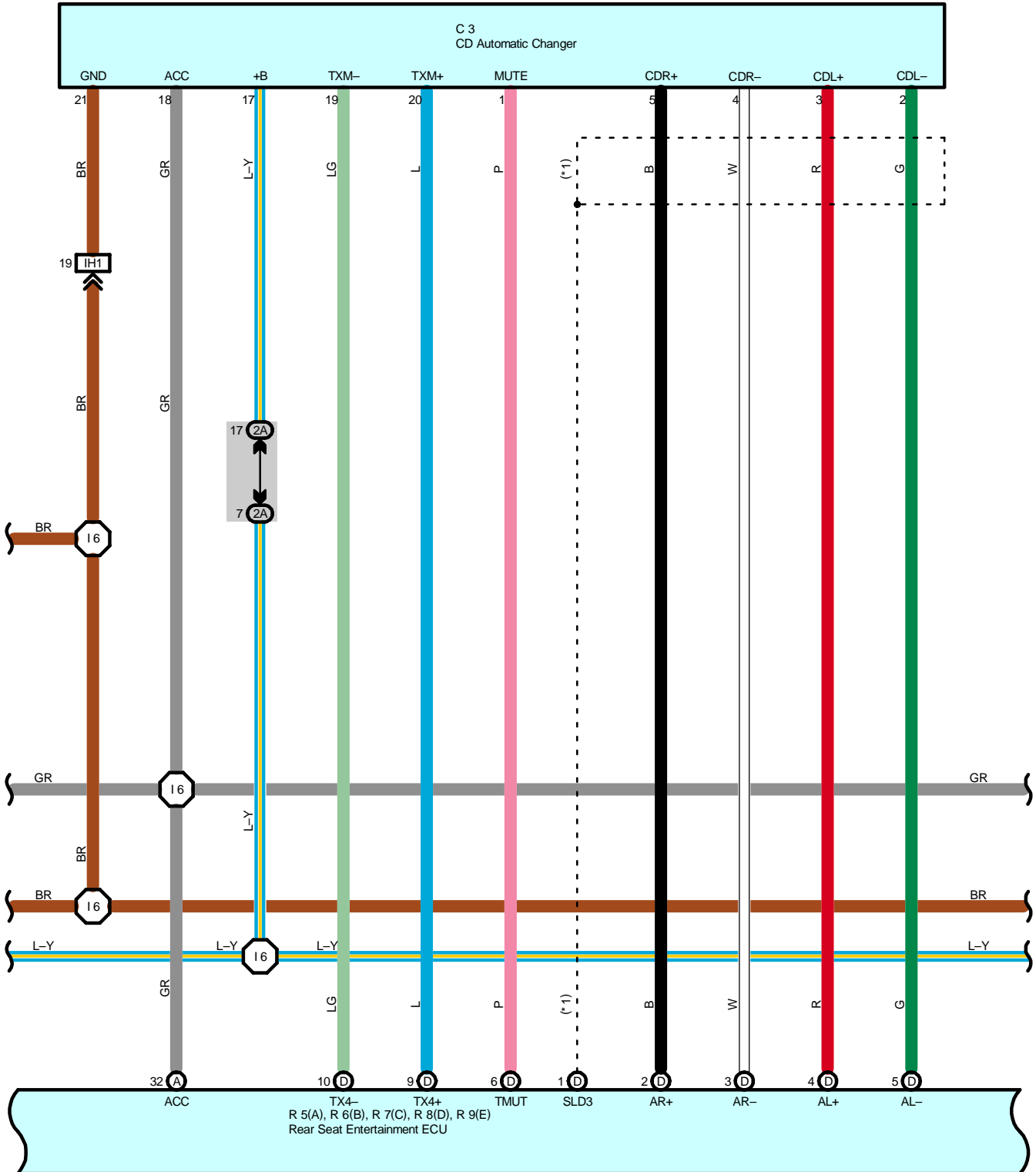
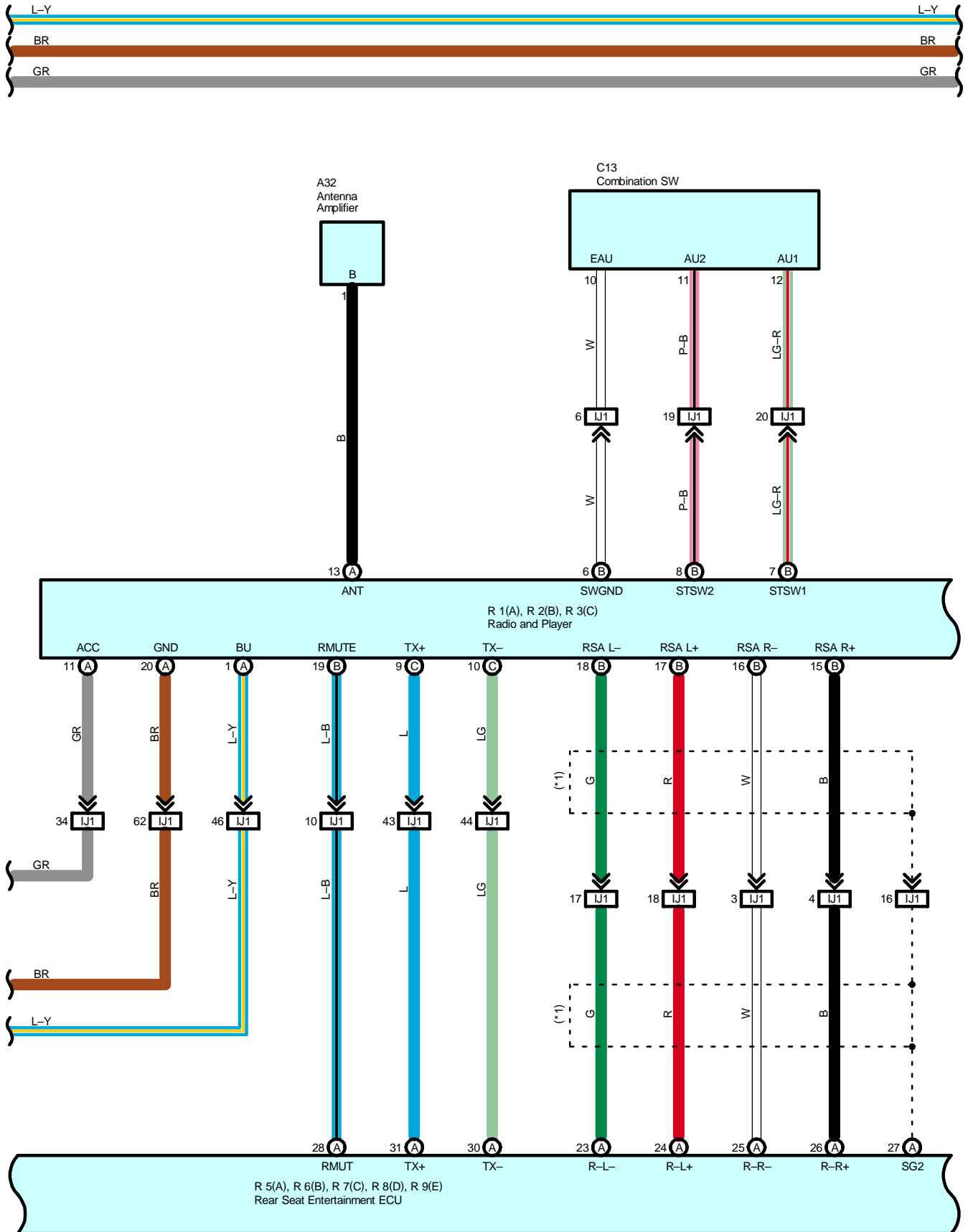


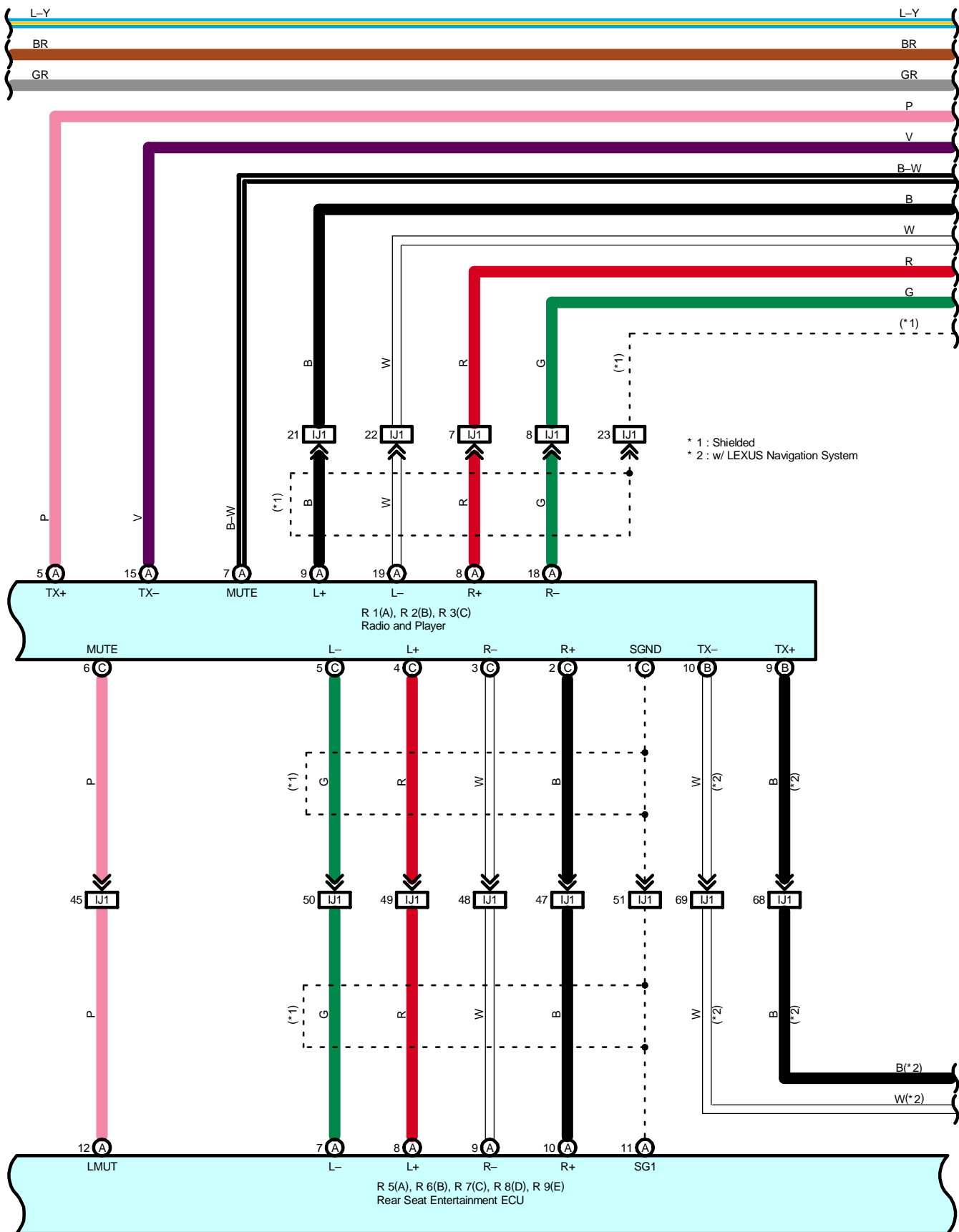
Audio System with RSES



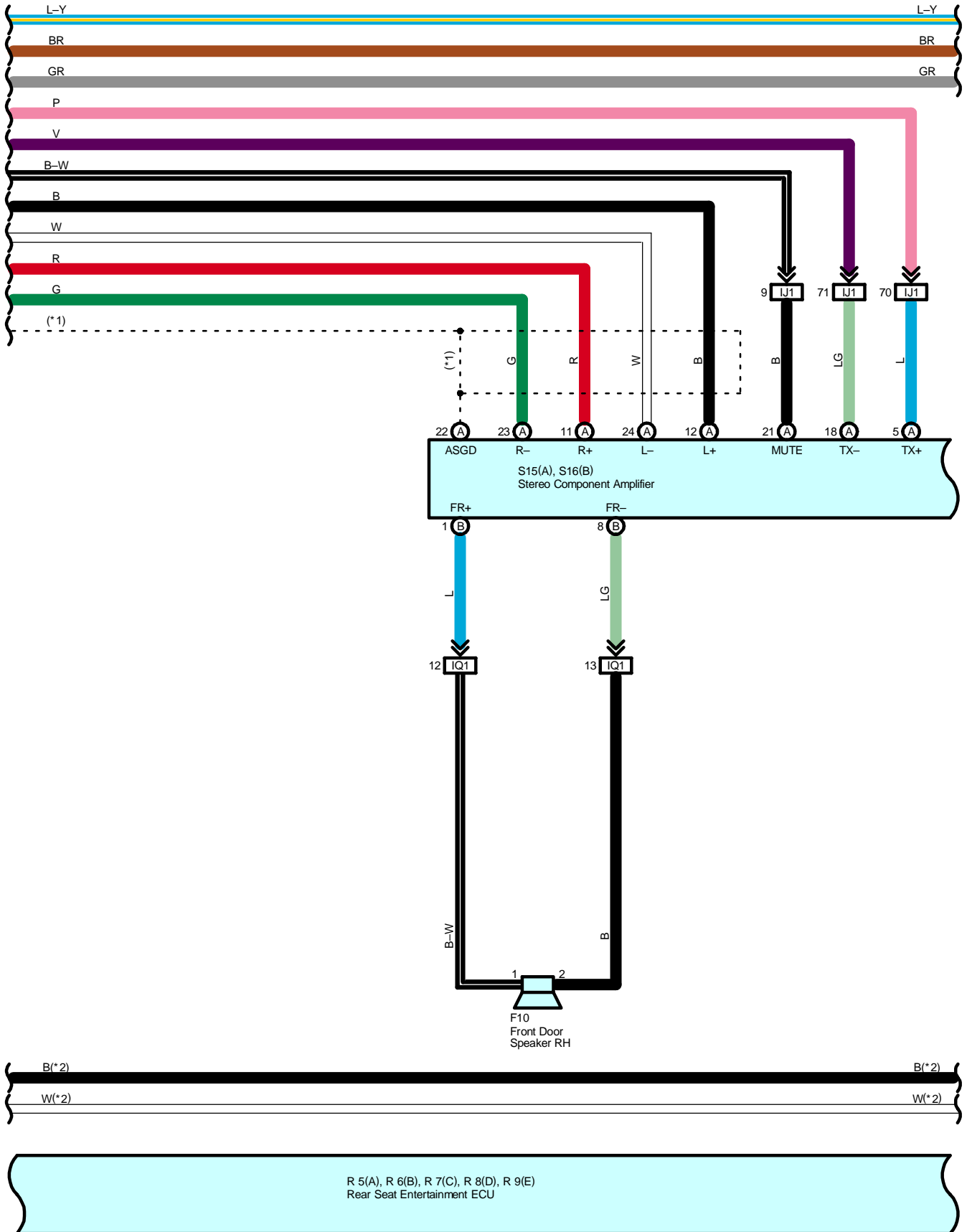


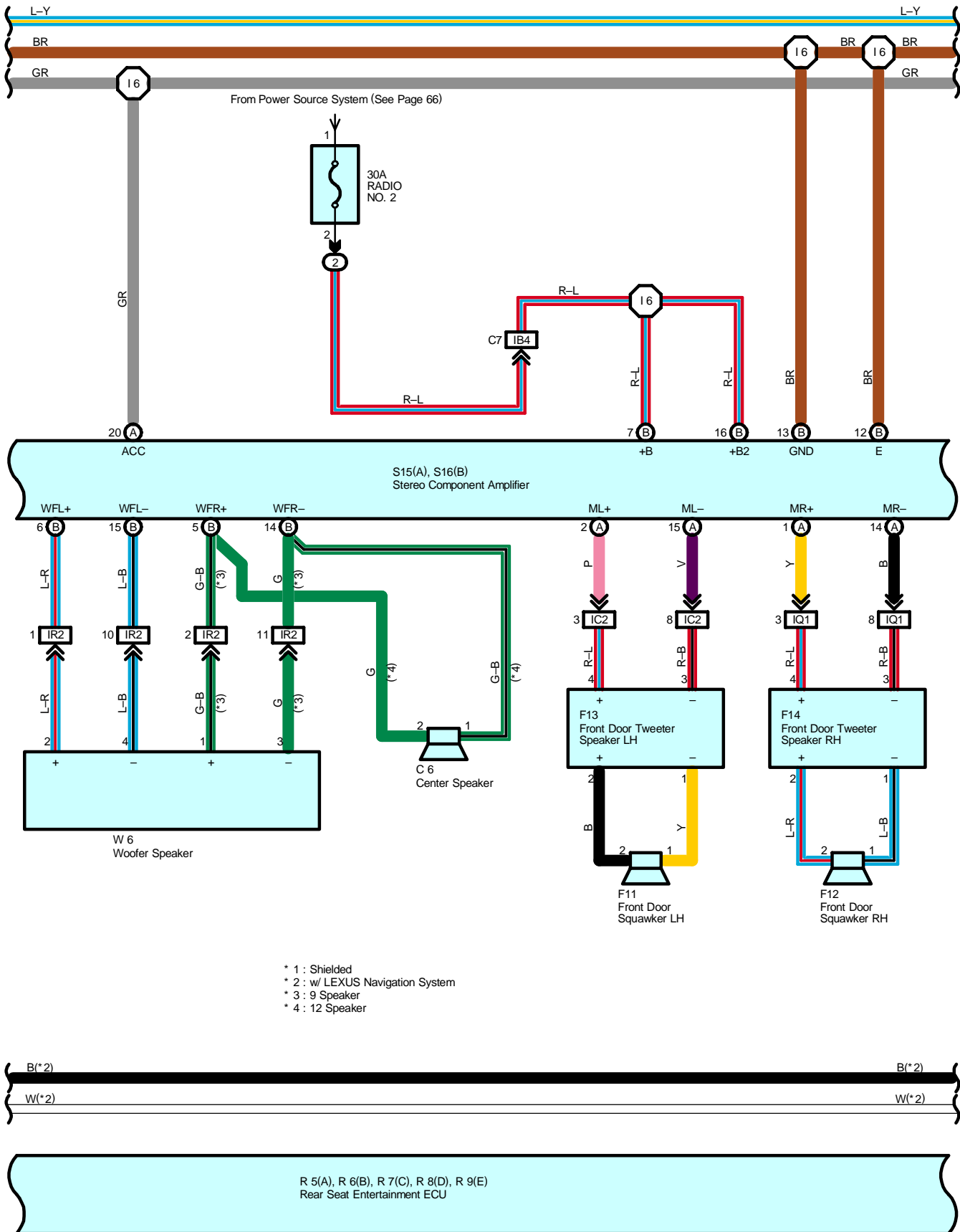
Audion System with RSES





Audio System with RSES

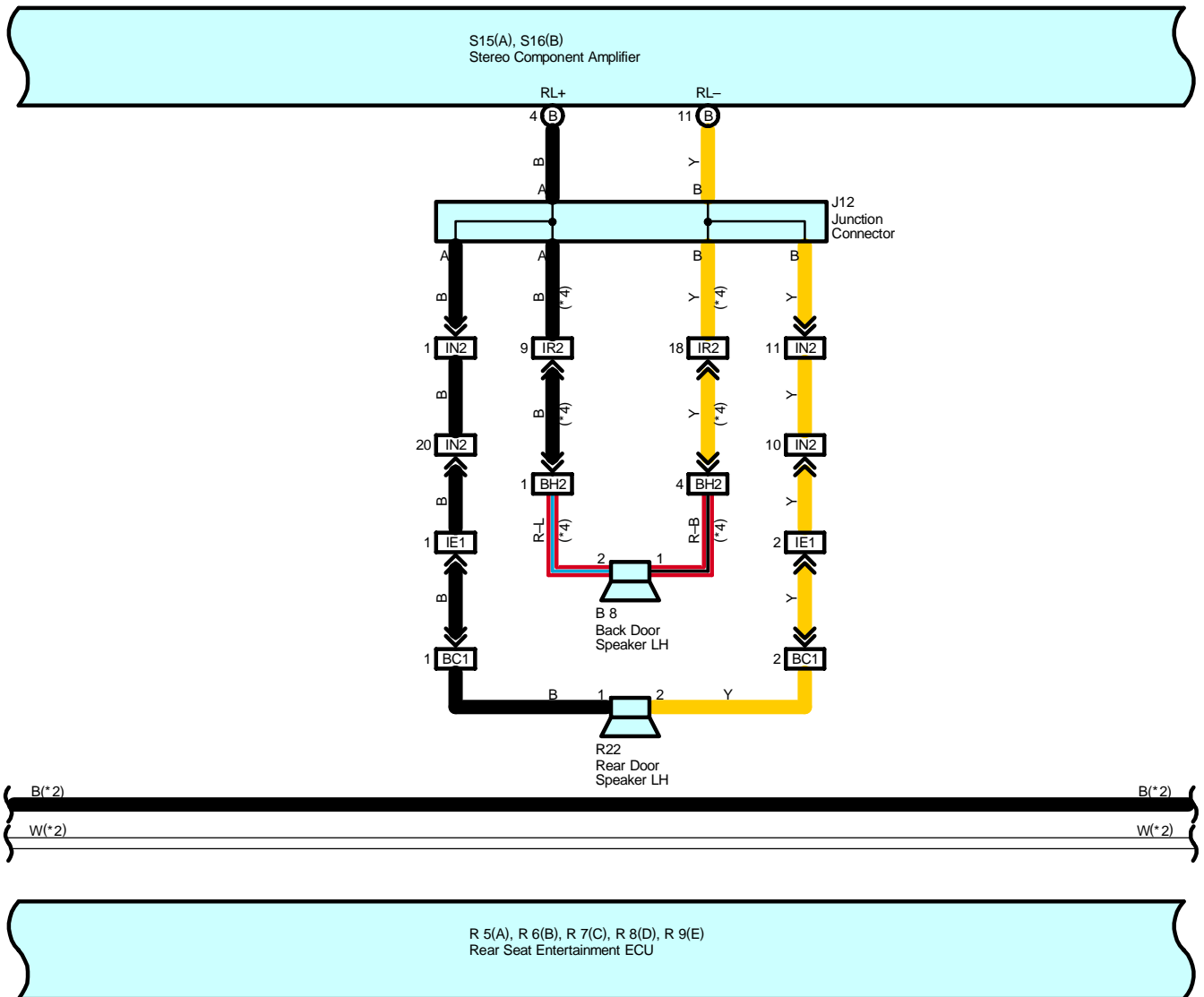


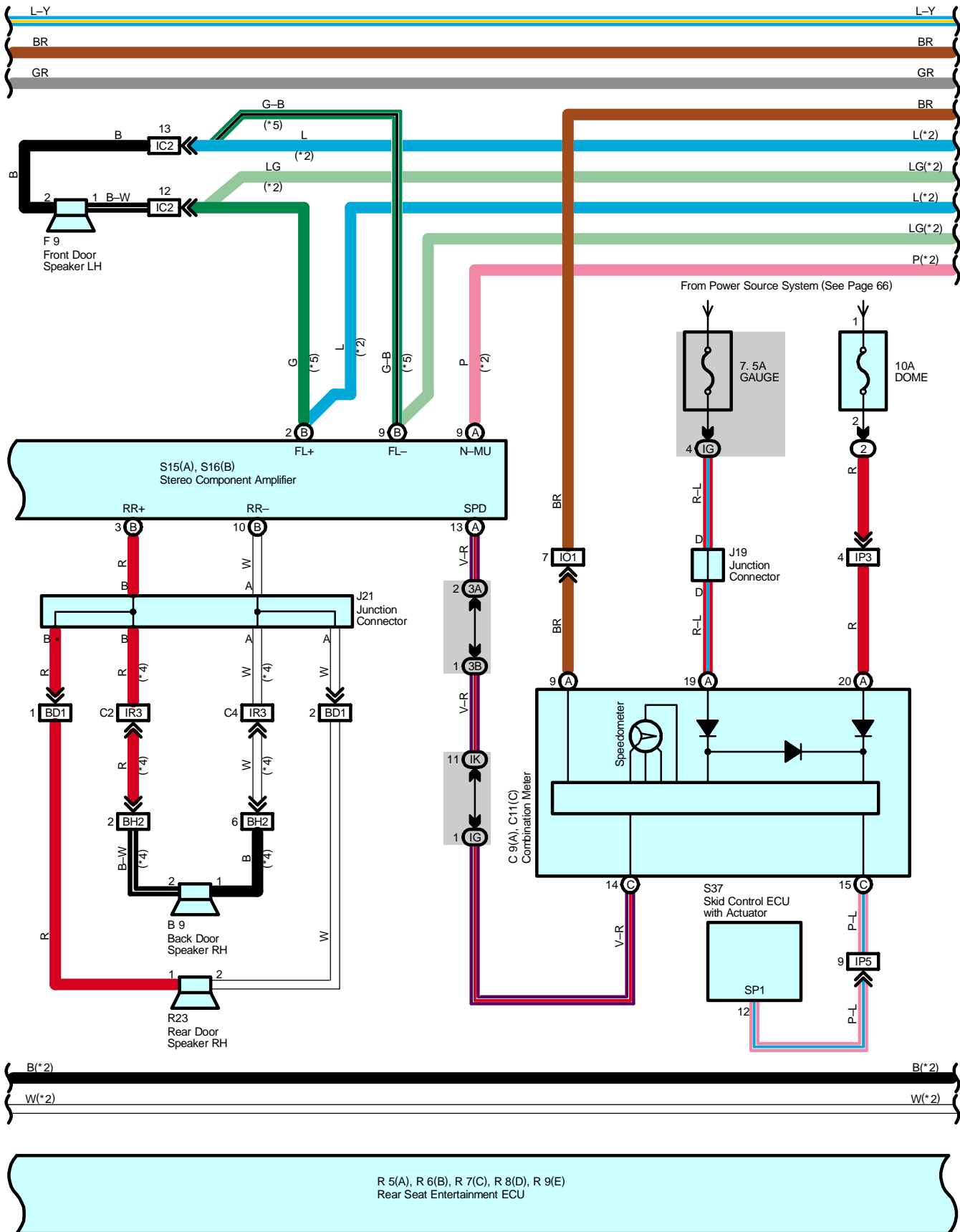


Audio System with RSES

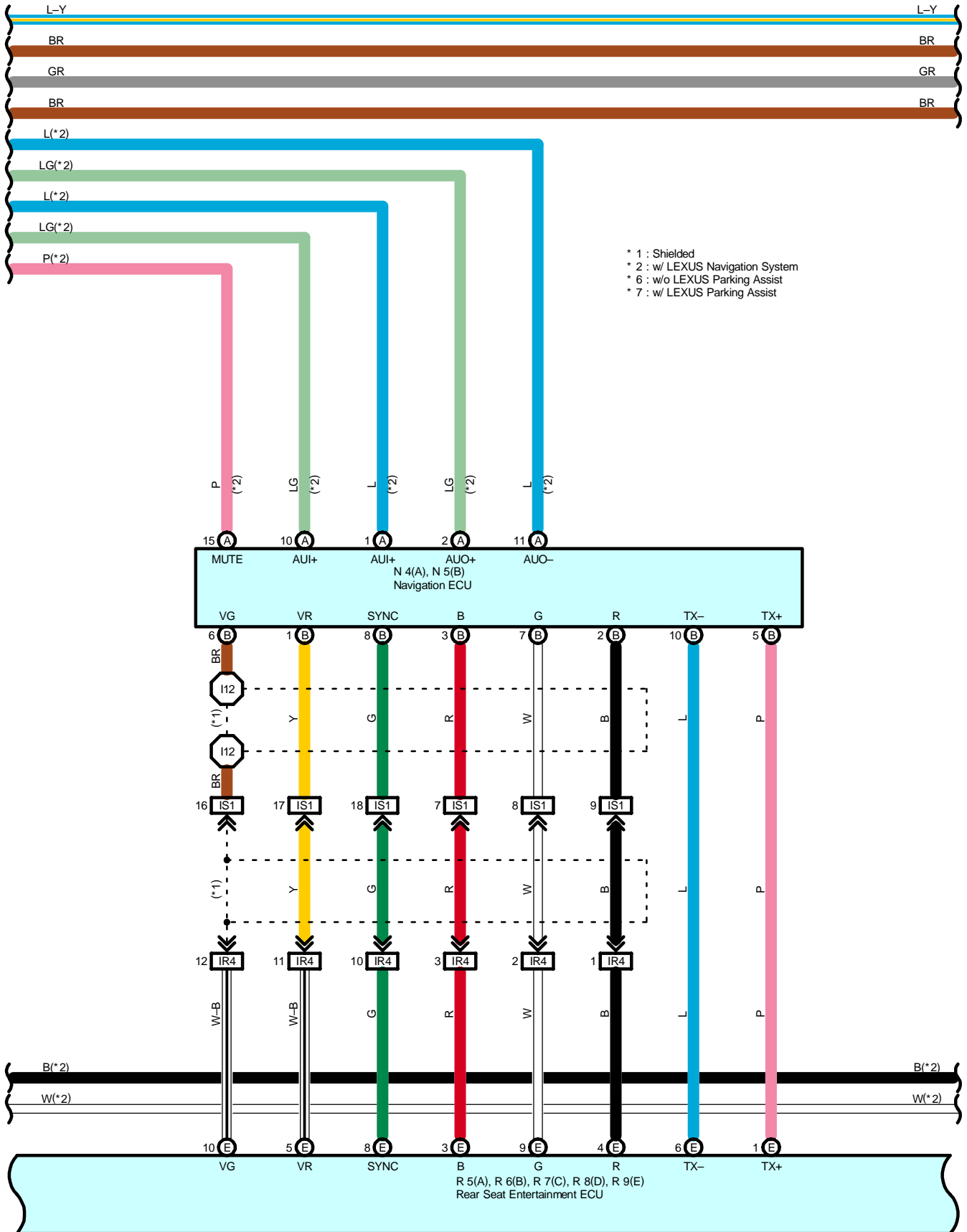


- * 2 : w/ LEXUS Navigation System
- * 4 : 12 Speaker
- * 5 : w/o LEXUS Navigation System



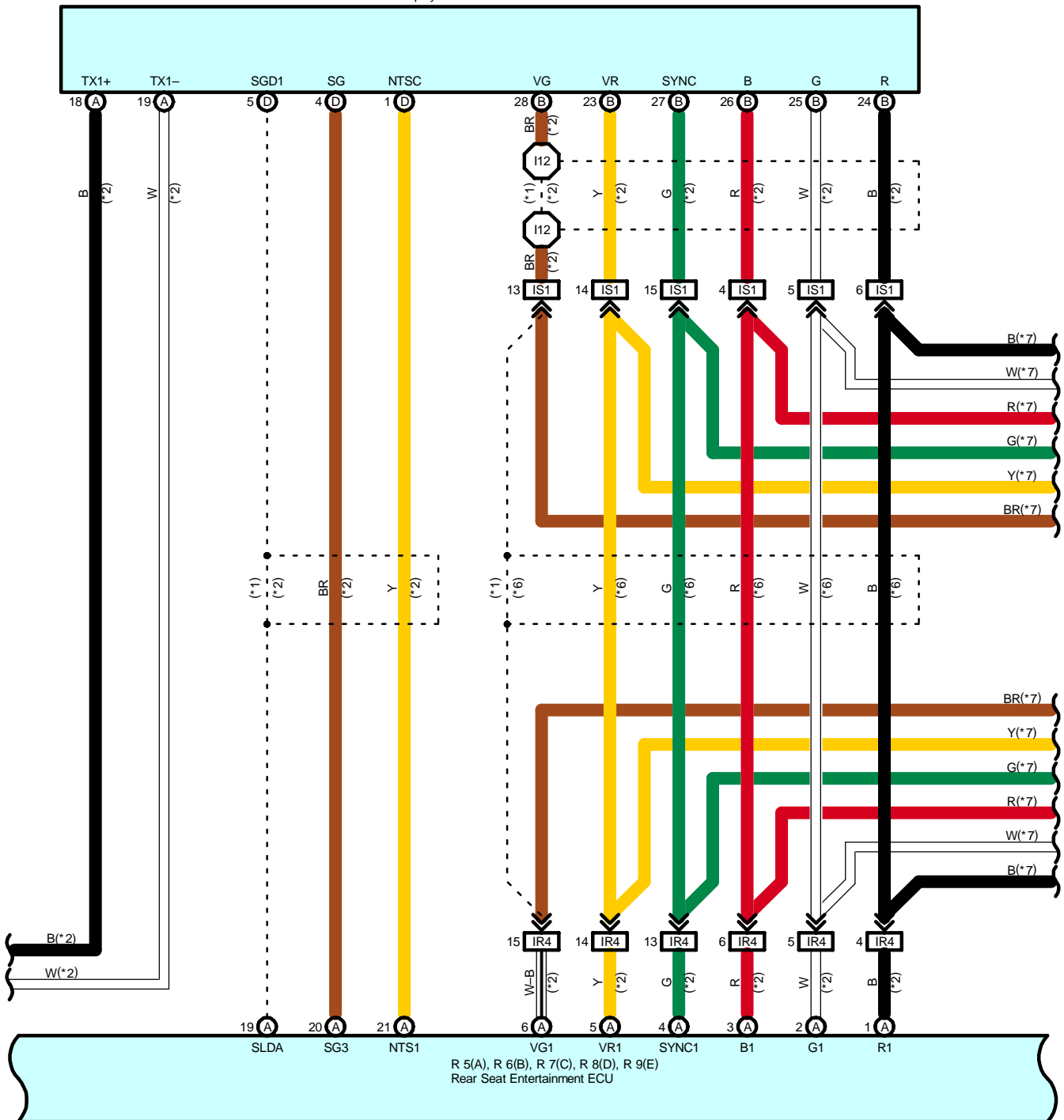


Audio System with RSES

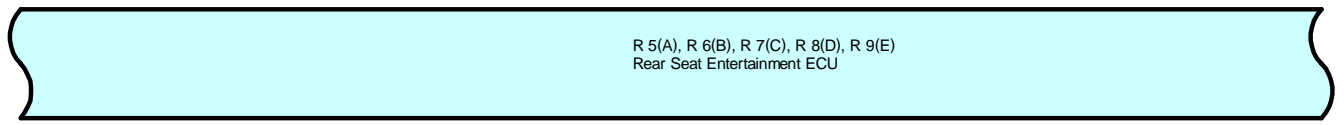
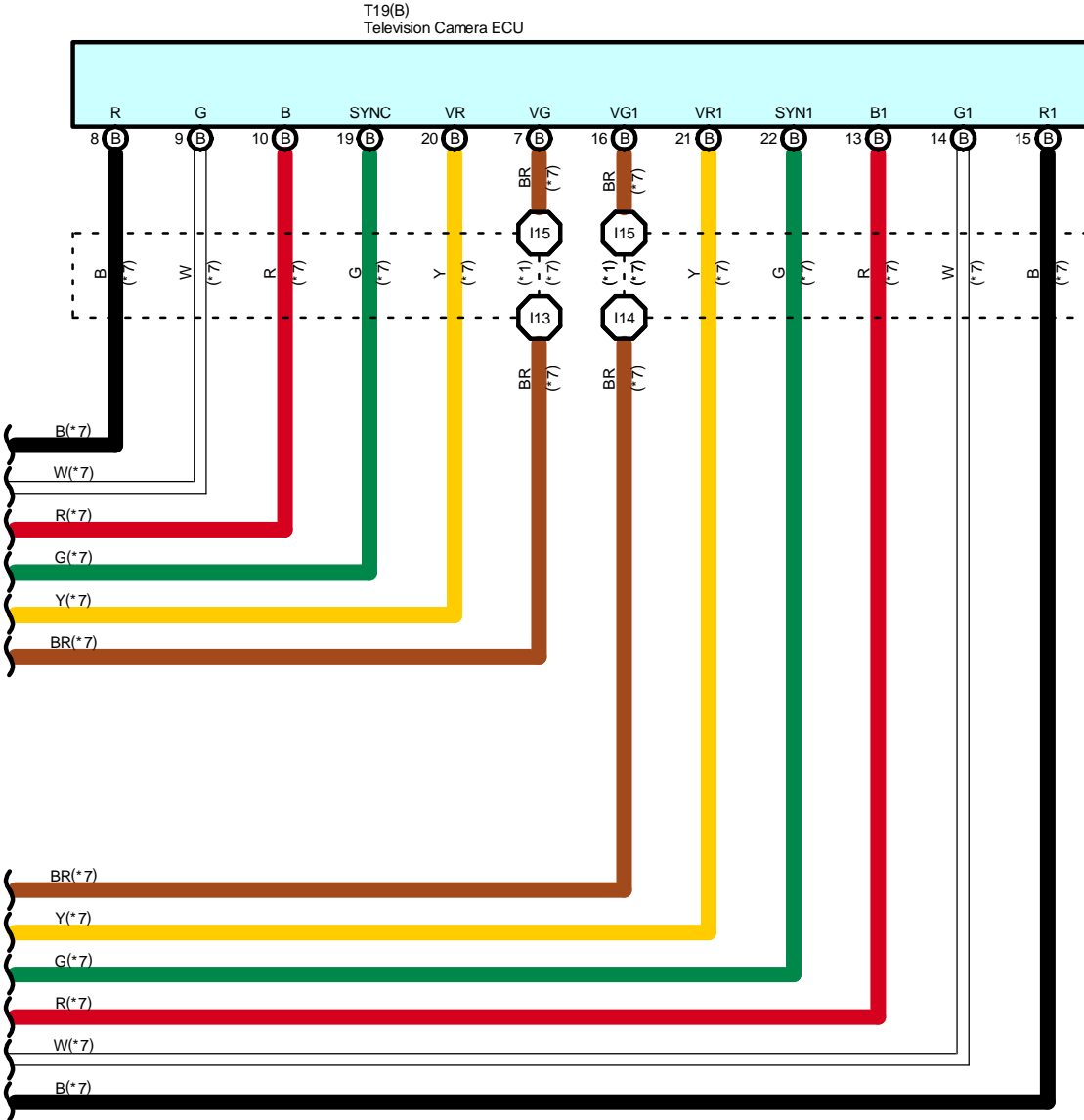


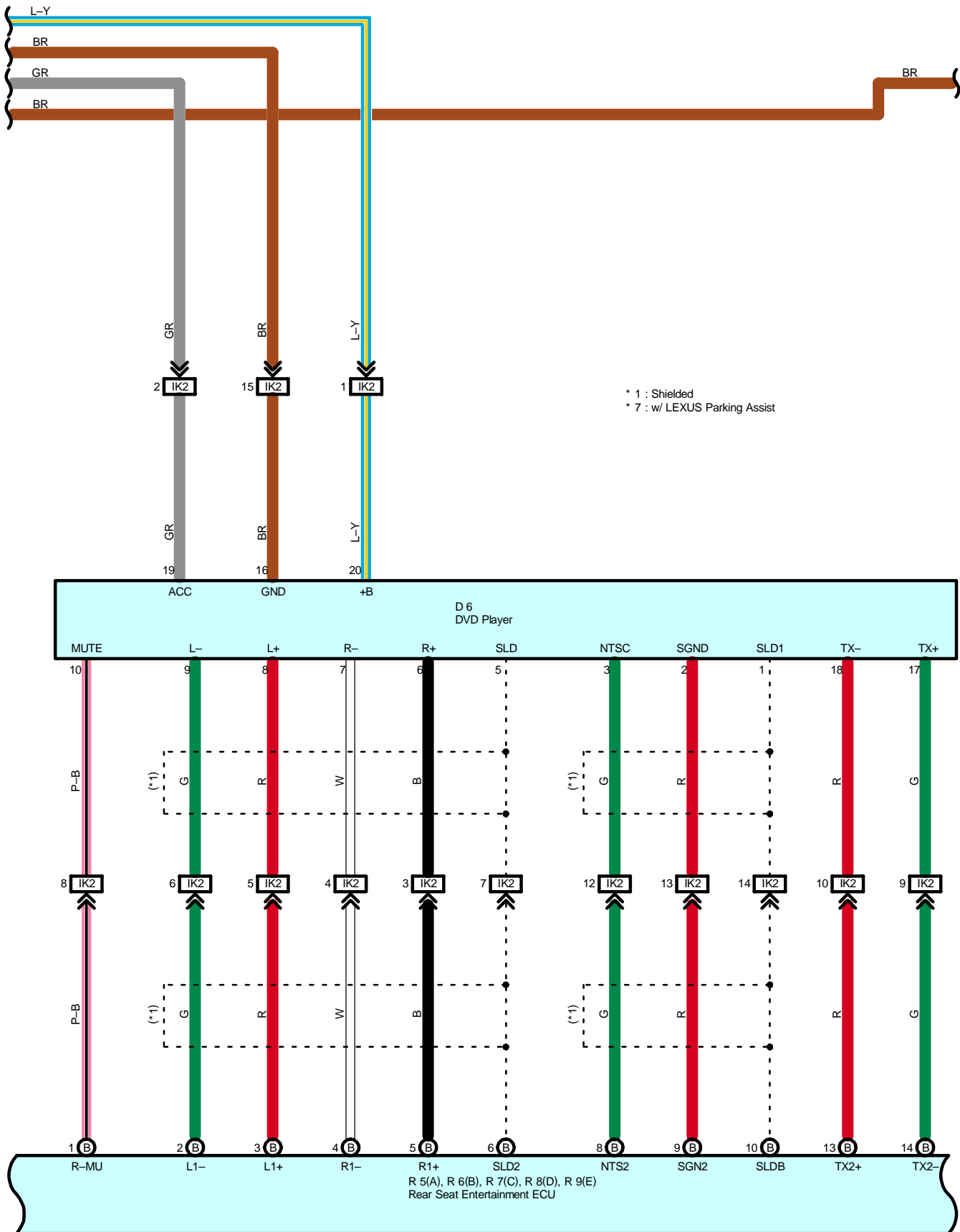


M 5(A), M 6(B), M14(D)
Multi-Display

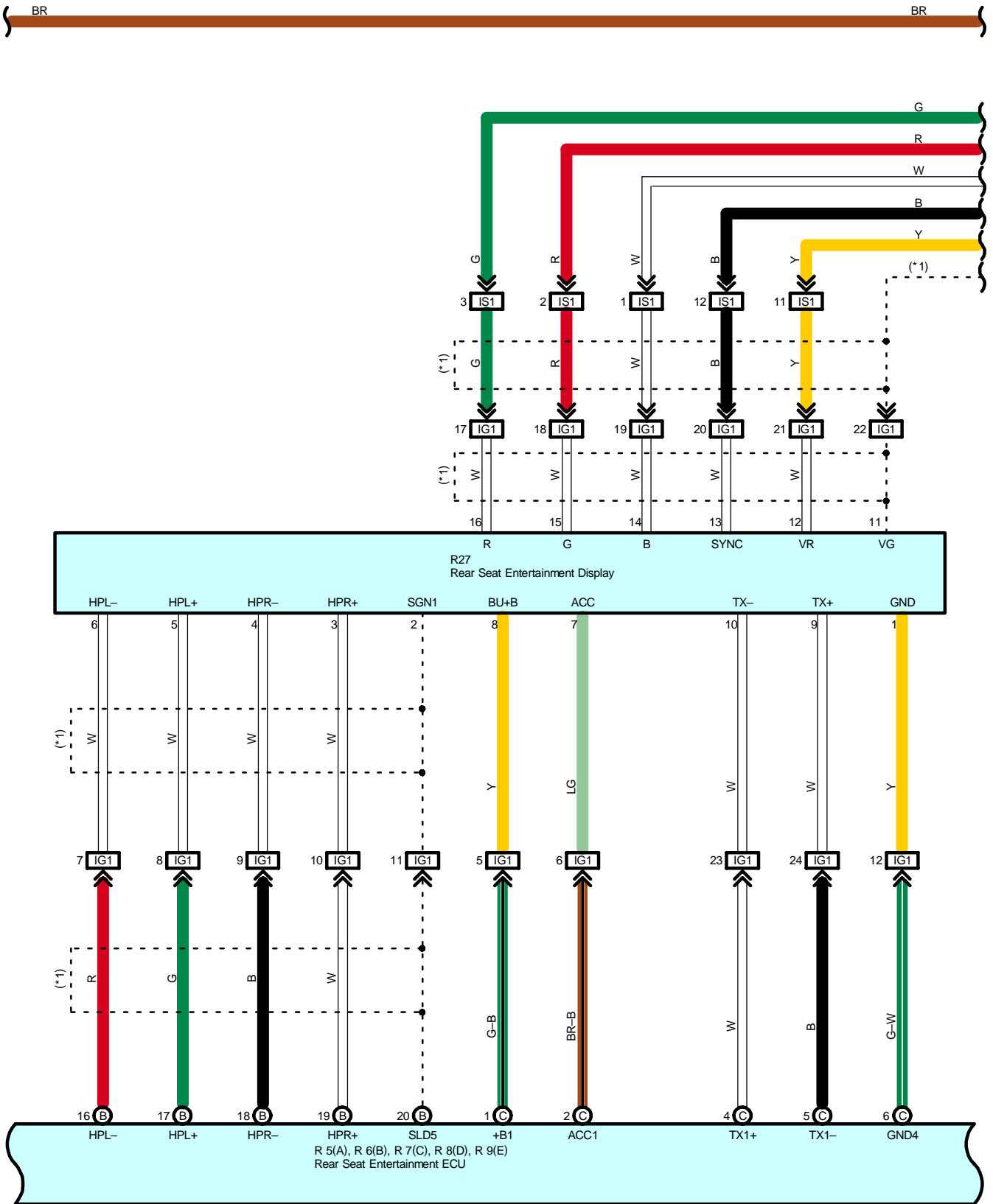


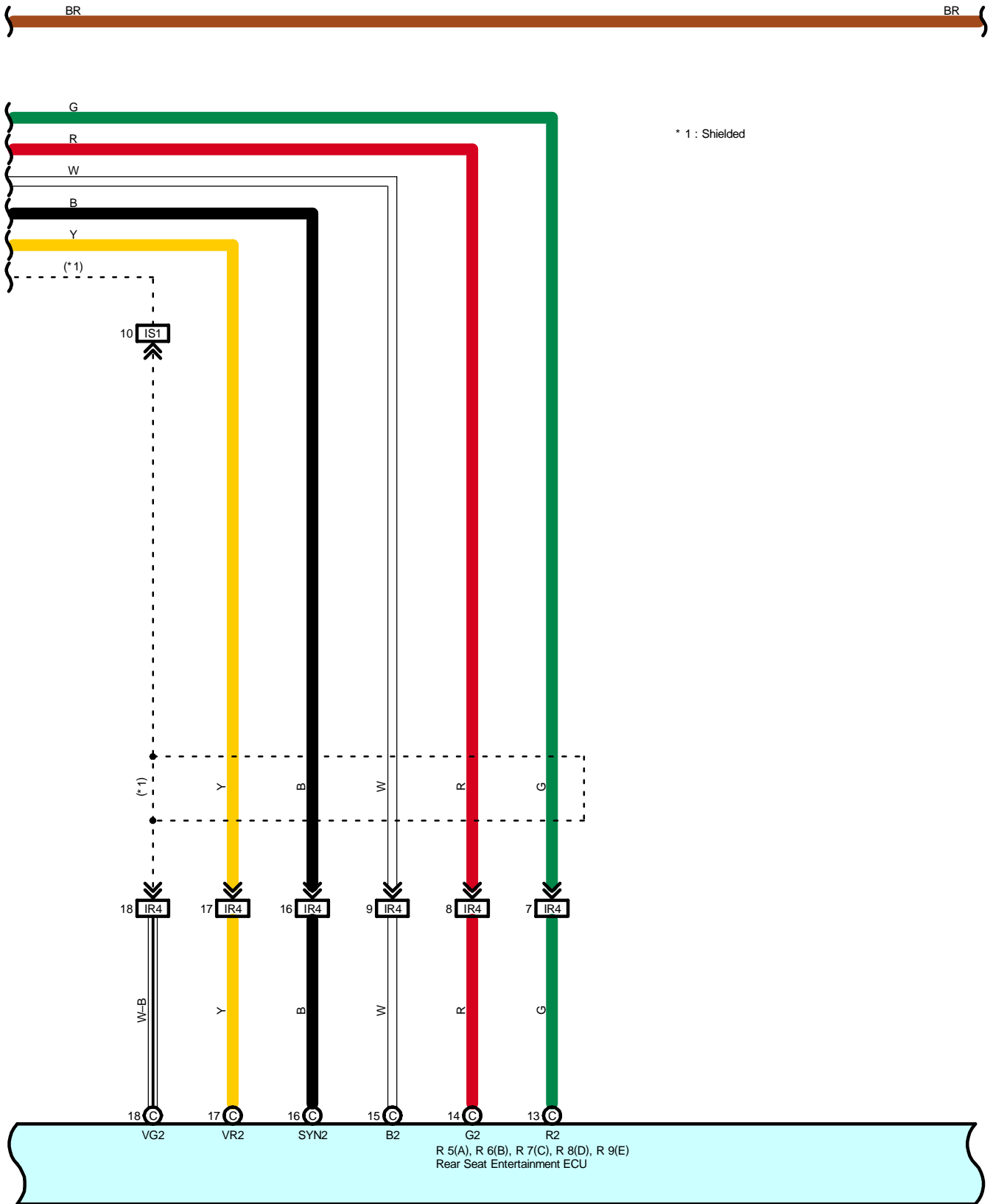
Audio System with RSES



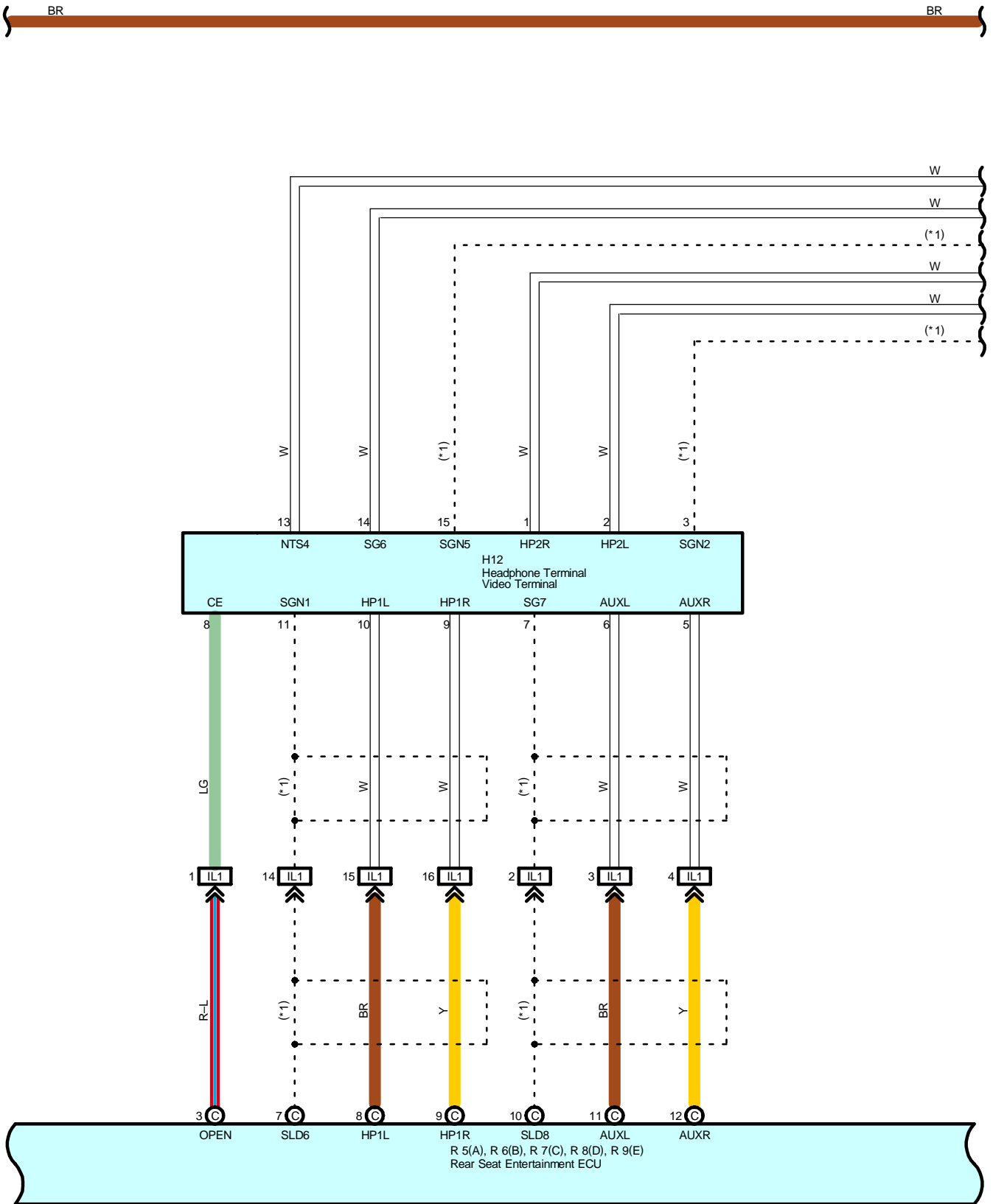


Audio System with RSES





Audio System with RSES



Audio System with RSES

Service Hints

R5 (A), R6 (B), R9 (E) Rear Seat Entertainment ECU

(A)29, (B) 7, (E) 7–Ground : Always continuity
 (A)16–Ground : Always approx. 12 volts
 (A)32–Ground : Approx. 12 volts with the ignition SW at ACC or ON position

C3 CD Automatic Changer

21–Ground : Always continuity
 17–Ground : Always approx. 12 volts
 18–Ground : Approx. 12 volts with the ignition SW at ACC or ON position

R1 (A) Radio and Player

(A)20–Ground : Always continuity
 (A) 1–Ground : Always approx. 12 volts
 (A)11–Ground : Approx. 12 volts with the ignition SW at ACC or ON position

S15 (A), S16 (B) Stereo Component Amplifier

(B)12, (B) 13–Ground: Always continuity
 (B) 7, (B) 16–Ground : Always approx. 12 volts
 (A)20–Ground : Approx. 12 volts with the ignition SW at ACC or ON position

D6 DVD Player

16–Ground : Always continuity
 20–Ground : Always approx. 12 volts
 19–Ground : Approx. 12 volts with the ignition SW at ACC or ON position

○ : Parts Location

Code	See Page	Code	See Page	Code	See Page
A32	38	F14	43	R3	C 41
B8	42	H12	39	R5	A 41
B9	42	J12	40	R6	B 41
C3	38	J14	40	R7	C 41
C6	38	J19	40	R8	D 41
C9	A 38	J21	40	R9	E 41
C11	C 38	J23	40	R22	44
C13	38	M5	A 40	R23	44
D6	39	M6	B 40	R27	44
F9	43	M14	D 40	S15	A 41
F10	43	N4	A 40	S16	B 41
F11	43	N5	B 40	S37	37
F12	43	R1	A 41	T19	B 41
F13	43	R2	B 41	W6	45

○ : Relay Blocks

Code	See Page	Relay Blocks (Relay Block Location)
2	22	Engine Room R/B (Engine Compartment Left)

○ : Junction Block and Wire Harness Connector

Code	See Page	Junction Block and Wire Harness (Connector Location)
IG	27	Instrument Panel Wire and Driver Side J/B (Lower Finish Panel)
IK		
2A	32	Instrument Panel Wire and J/B No.2 (Instrument Panel Reinforcement Center)
3A	34	Instrument Panel Wire and J/B No.3 (Instrument Panel Reinforcement Right)
3B		

 : Connector Joining Wire Harness and Wire Harness

Code	See Page	Joining Wire Harness and Wire Harness (Connector Location)
IB4	50	Instrument Panel Wire and Engine Room Main Wire (Left Kick Panel)
IC2	50	Front Door LH Wire and Instrument Panel Wire (Left Kick Panel)
IE1	52	Instrument Panel Wire and Instrument Panel Wire (Left Kick Panel)
IG1	52	Radio Installation Sub Wire and Instrument Panel Wire (Upper the Driver Side J/B)
IH1	52	Instrument Panel Wire and Instrument Panel Wire (Near the J/B No.1)
IJ1	52	Instrument Panel Wire and Instrument Panel No.2 Wire (Instrument Panel Brace LH)
IK2	52	Console Box Wire and Instrument Panel Wire (Under the Instrument Panel Brace LH)
IL1	52	Radio Installation Sub Wire and Instrument Panel Wire (Under the Instrument Panel Brace LH)
IN2	54	Instrument Panel Wire and Instrument Panel Wire (Under the Instrument Panel Brace RH)
IO1	54	Engine Wire and Instrument Panel Wire (Right Side of the Blower Unit)
IP3	54	Instrument Panel Wire and Engine Room Main Wire (Right Kick Panel)
IP5		
IQ1	56	Front Door RH Wire and Instrument Panel Wire (Right Kick Panel)
IR2	56	Instrument Panel Wire and Floor Wire (Right Kick Panel)
IR3		
IR4		
IS1	56	Instrument Panel Wire and Floor Wire (Under the Front Passenger's Seat)
BC1	58	Rear Door LH Wire and Instrument Panel Wire (Center Pillar LH)
BD1	58	Rear Door RH Wire and Instrument Panel Wire (Center Pillar RH)
BH2	60	Back Door No.1 Wire and Floor Wire (Right Quarter Panel Inner)

 : Ground Points

Code	See Page	Ground Points Location
EG	48	Rear Bank of Left Cylinder Head
IJ	50	Near the Right Side of Steering Column
IK	50	Instrument Panel Brace LH
IL	50	Right Kick Panel

 : Splice Points

Code	See Page	Wire Harness with Splice Points	Code	See Page	Wire Harness with Splice Points
I6	52	Instrument Panel Wire	I13	52	Floor Wire
I8			I14		
I12			I15		