

## IS F

### OUTLINE OF NEW FEATURES

The following changes have been made for the 2013 model year.

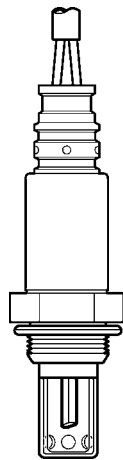
#### 1. Exterior Color

A total of 7 exterior colors, 5 carryover colors and 2 new colors, are available for standard models.

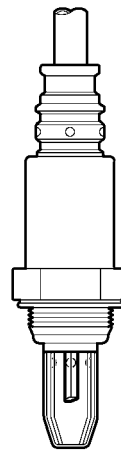
Color No.	Color Name	Note
<b>083</b>	<b>White Nova Glass Flake</b>	<b>New</b>
1H9	Mercury Gray Mica	Carryover
<b>1J2</b>	<b>Sonic Silver</b>	<b>New</b>
212	Black	Carryover
217	Starlight Black Glass Flake	Carryover
3R1	Red Mica Crystal Shine	Carryover
8U1	Exceed Blue Metallic	Carryover

#### 2. 2UR-GSE Engine

- The ECM software has been updated to comply with emission regulations.
- The air fuel ratio sensor has been changed to comply with emission regulations.



**New**



**Previous**

### 3. Differential

The differential carrier has been made lighter ensuring vehicle driving performance.

### 4. Suspension

- The following parts have been changed ensuring vehicle stability and response while steering.
  - Front and Rear Shock Absorber Assembly
  - Front and Rear Coil Spring
- The characteristics of the bushes used on the following rear suspension arm components have been changed, ensuring vehicle stability.
  - Rear Upper No. 2 Control Arm
  - Toe Control Link Sub-assembly
  - Rear Lower No. 2 Suspension Arm
- For details, see page 6.

### 5. Multiplex Communication

In accordance with the adoption of a new model HDD navigation system, the configuration of the AVC-LAN and MOST has been changed. For details, see page 9.

### 6. Audio

- A new model HDD navigation system is available on models for U.S.A. and Canada. For details, see page 10.
- The DVD navigation system has been discontinued on the destination package for South Korea.
- A 14-speaker surround sound system is available on the destination package for South Korea.

### 7. Navigation System

- A new model HDD navigation system is available on models for U.S.A. and Canada. For details, see page 29.
- The DVD navigation system has been discontinued on the destination package for South Korea.
- The display and navigation module display has been discontinued. Instead, the multi-media module receiver assembly, which integrates the navigation ECU and radio receiver assembly, is provided.

### 8. Intuitive Parking Assist System

The screen which appears on the multi-display assembly\* when the intuitive parking assist system detects an object has been changed.

\*: Models with 14-speaker surround sound system or HDD navigation system

### 9. Parking Assist Monitor System

The parking assist monitor system is provided on vehicles with the destination package for South Korea. For details, see page 49.

### 10. LEXUS ENFORM

- The display and navigation module display has been combined with the radio receiver assembly, and has become integrated into the multi-media module receiver assembly.
- Due to the adoption of a new type HDD navigation system, the Apps service has been added to the LEXUS ENFORM. For details, see page 70.

## 11. Monitor System

- The components of the rear view monitor have been changed.
- The television camera assembly is connected to the multi-media module receiver assembly.
- The multi-media module receiver assembly transmits images of the area behind the vehicle, which are captured by the television camera assembly, to the multi-display.

## 12. Smart Access System with Push-button Start

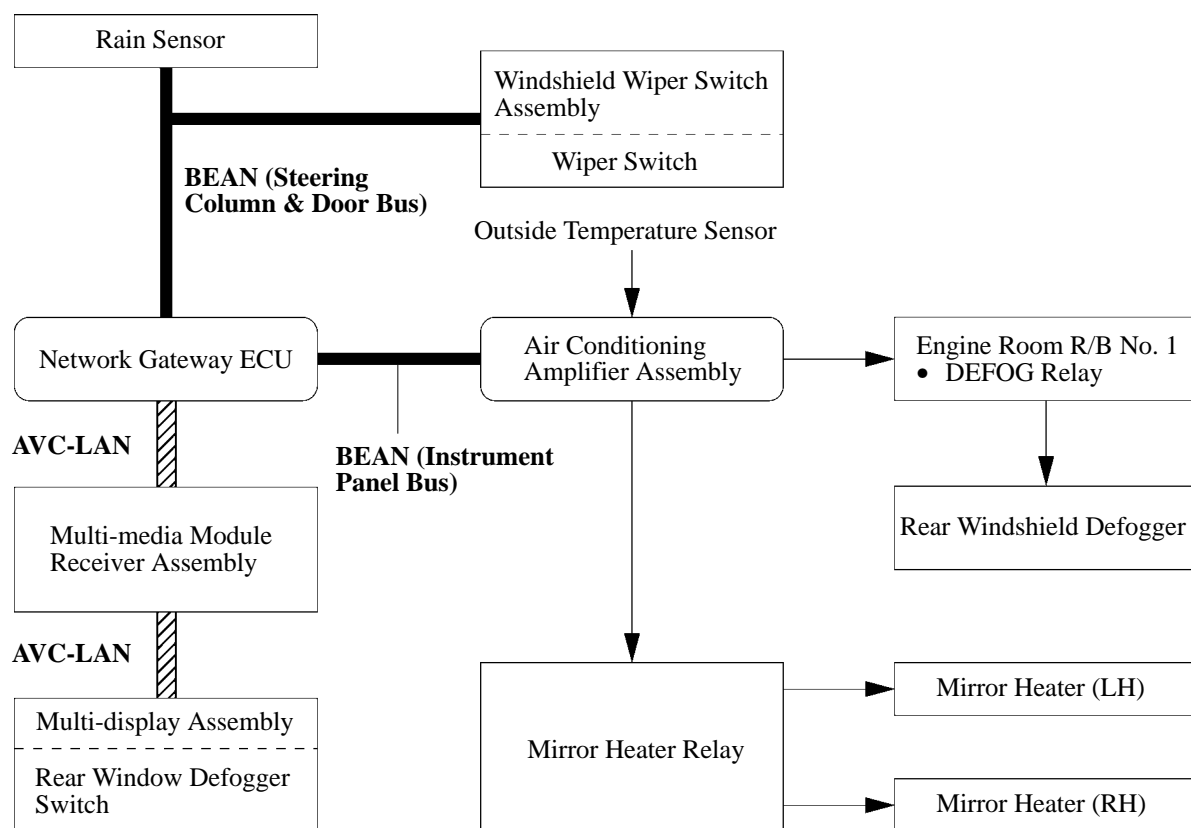
- The time setting for the automatic power off function to operate when the engine switch is on (ACC) has been changed from 60 minutes to 20 minutes.
- An additional operation method of the emergency shutdown function has been provided, which stops the engine when the engine switch is pressed 3 times or more in a row or pressed for 2 seconds or more.

## 13. SRS Airbag System

The recorded data items of the Event Data Recorder (EDR) have been increased. For details, see page 78.

## 14. Rear Window Defogger System

Due to the adoption of a new model navigation system, the configuration of the rear defogger switch has been changed.



22M0NF62C

Models with Navigation System

### 15. Glass

The front doors are fitted with water repellent coated glass to ensure visibility in rain.

