

PBC[®] (P_{oly}B_{uty}lC_{uprysil})

High temperature Anti-Seize Paste

Product description

PBC[®] is an gold coloured Organo metallic Complex, used as an Anti-Seize compound, for the prevention of seizure occurring on screw threads, linkages, pivots, flanges and mating surfaces generally subject to high temperatures, fretting corrosion, alt water and industrial corrosives. Approved by major motor manufacturers, to prevent brake "squeal" and corrosion occurring to car disc brakes by applying to back and sides of the brake pads.

PBC[®] is not electrical conductive and has no influence to Sensors of ABS-Systems.

Ingredients

PBC[®] is based on semi synthetic grease with metallic solids and inorganic thickeners. It is free of Silicon, Molybdenum disulfide, Graphite or Lead.



TEST	SPECIFICATION	RESULT
Specific gravity (@ 20°C)	IP 160 ASTM D1298	1,1 g/cm ³
Colour		Gold
Base oil viscosity (@ 40°C)	ASTM D 445-88	95 mm ² /s
Unworked penetration	IP 50 / 88	210 to 280 1/10 mm
Consistency (NLGI-Class)	DIN 51818	2
Base oil flame point	IP 35 / 63	+250°C
Drop point	IP 132 / 85	none
Four Ball -Test	IP 239 / 85	MHL : 550 N Weld load: 2500 N
Copper strip corrosion	IP 112 / 56	none
Water resistance (@ 38°C)	IP 215 / 85	0%
Working temperatures	(as Grease) continuous (as Grease) intermittent As Anti-Seize	-20°C to +160°C Up to 260°C Up to 1200°C

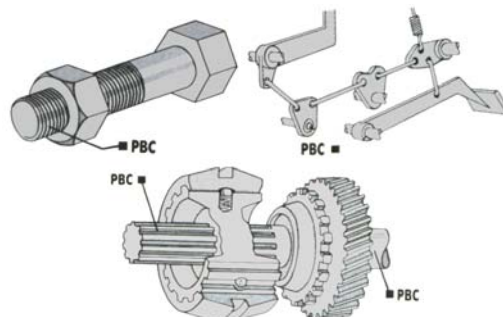
Advantage

PBC[®] is because of it's general usability often used to reduce the number of used Lubricants.

Application

The surface should be properly cleaned before the application of PBC. The product can be applied like for grease usual with a brush, a spatula, with a grease gun or an automatic Central Lubrication System.

PBC[®] is also available as 300 ml Aerosol.



February 2011