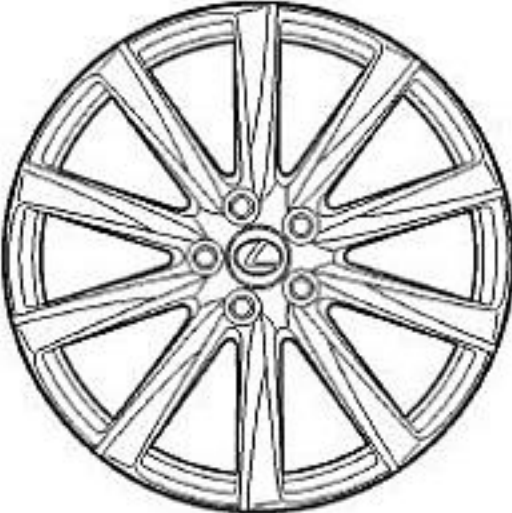
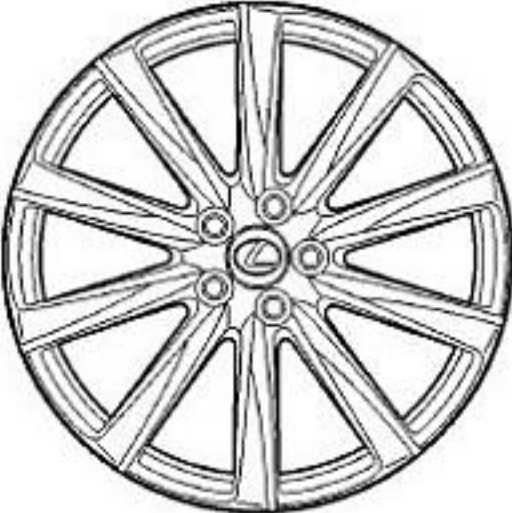


Tire & Wheel

A premium sports car demands a wheel with an elegant design that satisfies functional aspects as well, such as a lightweight design and high rigidity.

Tire Size	Front		225/40 R19	
	Rear		255/35 R19	
Wheel	Size	Front	19 × 8J	
		Rear	19 × 9J	
	Material		Aluminum	
	Color (Color No.)		Silver (11GY39)	Silver (11GY38)/Buffed Finish
P.C.D.*		mm (in.)	114.3 (4.5)	
Offset	mm (in.)	Front	45 (1.8)	
		Rear	55 (2.2)	
Wheel Design		Left Side:		
		Right Side:		
			08D0M008C	08D0M036C
Equipment		Standard		Option