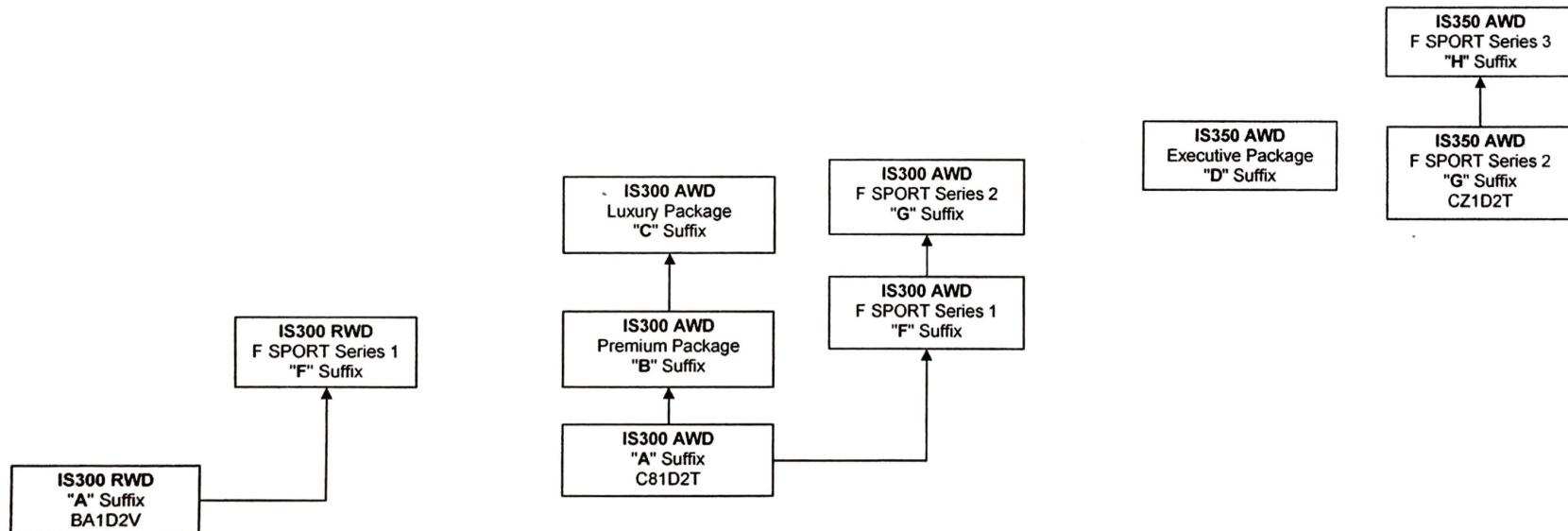


VEHICLE ORDERING GUIDE
LEXUS - 2018 Model Year

Marketing Name	TCI Model	Transmission
IS 300 RWD	BA1D2V	8-spd Automatic
IS 300 AWD	C81D2T	6-spd Automatic
IS 350 AWD	CZ1D2T	6-spd Automatic



Vehicle may not come exactly as shown

2018 IS Series Model Line-up




What's New for 2018 IS

LEXUS - 2018 Model Year	<table><tr><td>Exterior</td><td>Interior</td><td>Powertrain: New engine for 300AWD and 350 AWD resulting in an increase of HP by 5.</td></tr><tr><td>N/A</td><td>N/A</td><td></td></tr></table>	Exterior	Interior	Powertrain: New engine for 300AWD and 350 AWD resulting in an increase of HP by 5.	N/A	N/A			
Exterior	Interior	Powertrain: New engine for 300AWD and 350 AWD resulting in an increase of HP by 5.							
N/A	N/A								
NEW 2018MY PACKAGING	<table><thead><tr><th>New Standard Spec vs. 2017MY</th><th>IS300RWD</th><th>IS300 AWD</th><th>IS350 AWD</th></tr></thead><tbody><tr><td><ul style="list-style-type: none">Backup Camera Standard</td><td>IS 200t renamed IS 300 RWD</td><td>Luxury Package Changes:<ul style="list-style-type: none">wood trim glove box n/aLeather n/aF SPORT Series 2 Changes:<ul style="list-style-type: none">Clearance and Backup SensorsPower steering columnDrivers seat memoryUpdated outer mirror</td><td>Executive Package changes:<ul style="list-style-type: none">Wood trim glove box n/aLeather n/aF SPORT Series 2 Changes:<ul style="list-style-type: none">Clearance and Backup SensorsPower steering columnDrivers seat memoryUpdated outer mirrorF SPORT Series 3 Changes:<ul style="list-style-type: none">LED Headlamp with AFS</td></tr></tbody></table> <p style="text-align: center;">Please see VOAS Page for more information</p>	New Standard Spec vs. 2017MY	IS300RWD	IS300 AWD	IS350 AWD	<ul style="list-style-type: none">Backup Camera Standard	IS 200t renamed IS 300 RWD	Luxury Package Changes: <ul style="list-style-type: none">wood trim glove box n/aLeather n/a F SPORT Series 2 Changes: <ul style="list-style-type: none">Clearance and Backup SensorsPower steering columnDrivers seat memoryUpdated outer mirror	Executive Package changes: <ul style="list-style-type: none">Wood trim glove box n/aLeather n/a F SPORT Series 2 Changes: <ul style="list-style-type: none">Clearance and Backup SensorsPower steering columnDrivers seat memoryUpdated outer mirror F SPORT Series 3 Changes: <ul style="list-style-type: none">LED Headlamp with AFS
New Standard Spec vs. 2017MY	IS300RWD	IS300 AWD	IS350 AWD						
<ul style="list-style-type: none">Backup Camera Standard	IS 200t renamed IS 300 RWD	Luxury Package Changes: <ul style="list-style-type: none">wood trim glove box n/aLeather n/a F SPORT Series 2 Changes: <ul style="list-style-type: none">Clearance and Backup SensorsPower steering columnDrivers seat memoryUpdated outer mirror	Executive Package changes: <ul style="list-style-type: none">Wood trim glove box n/aLeather n/a F SPORT Series 2 Changes: <ul style="list-style-type: none">Clearance and Backup SensorsPower steering columnDrivers seat memoryUpdated outer mirror F SPORT Series 3 Changes: <ul style="list-style-type: none">LED Headlamp with AFS						
COLOUR CHANGES Versus 2017MY	<ul style="list-style-type: none">08X5 Nightfall Mica no longer available on all gradesFlaxen interior no longer available on all gradesFlaxen interior replaced with ChateauInterior wood trim replaced by metallic black for non F SPORT modelsLeather replaced by NuLuxe for non F SPORT models								

2018 IS SERIES Standard Features

Interior	300 RWD	300 AWD	350 AWD	Convenience	300 RWD	300 AWD	350 AWD
Audio:Lexus Premium Audio, AM/FM CD with MP3/WMA Player, Audio Auxiliary Input Jack, USB Audio Input, Bluetooth Capability, Integrated SiriusXM Satellite Radio, 10 Speakers, Satellite Roof Mounted Fin Antenna, 7-inch Display Screen, Lexus Display Audio, SIRI Eyes-Free	●	●		Garage Door Opener	●	●	●
Audio:Single In-Dash DVD, Mark Levinson Audio, Lexus Premium Audio, AM/FM CD with MP3/WMA Player, 15 Speaker Mark Levinson Surround Sound Audio System, Audio Auxiliary Input Jack, USB Audio Input, Bluetooth Capability, Integrated SiriusXM Satellite Radio, Satellite Roof Mounted Fin Antenna, 10.3-inch Display Screen, Navigation, Lexus Display Audio, SIRI Eyes-Free			●	Smart Key System	●	●	●
Dual Zone Automatic Climate Control	●	●	●	Push Button Start	●	●	●
Cabin Air Filter	●	●	●	Power Rear Window Sunshade			●
Rear Seat Heater Ducts	●	●	●	Front & Rear Cup Holders	●	●	●
Front Seat Type:Front Sport Seats, Heated Front Seats	●	●		12Volt Accessory Power Outlet	●	●	●
Front Seat Type:Front Sport Seats, Heated Front Seats, Heated & Ventilated Front Seats			●	Clearance and Backup Sensors			●
Driver Seat Adjustments:Lumbar Support (Power), Headrest-Vertical	●	●		Analog Clock with LED Illumination	●	●	●
Driver Seat Adjustments:Lumbar Support (Power), Headrest-Vertical, Driver Seat Memory			●	Keyless Entry with Trunk Release	●	●	●
Front Seat:Air Conditioned Front Seats			●	Door Map Pockets	●	●	●
Passenger Seat Adjustments:8-way Power Passenger Seat, Headrest-Vertical	●	●		Illuminated Entry w/ Fadeout	●	●	●
Rear Seat Adjustments:Fold Down Rear Seat (60/40), Headrest-Vertical, Rear Seat Fold Down Centre Armrest	●	●	●	Safety			
Key Lockout Protection	●	●	●	Front Passenger Occupancy Classification Indicator	●	●	●
Power Door Locks	●	●	●	Driver & Passenger Airbag Supplemental Restraint System (SRS)	●	●	●
Multi Information Display	●	●	●	Front Seat Mounted Side Airbags	●	●	●
Backup Camera	●	●	●	Driver and Front Passenger Knee Airbags	●	●	●
Tachometer	●	●	●	Front and Rear Side Curtain Airbags	●	●	●
Dual Trip Odometer	●	●	●	Rear Seat Side Airbags	●	●	●
Outside Temperature Gauge	●	●	●	Front Seatbelt Pre-Tensioners and Force Limiters	●	●	●
Auto-Dimming Rear View Mirror with HomeLink, Illuminated Vanity Mirrors	●	●		All-Position 3-Point Lap & Shoulder Belts	●	●	●
Auto-Dimming Rear View Mirror with HomeLink & Compass, Auto-Dimming Rear View Mirror with HomeLink, Illuminated Vanity Mirrors			●	Adjustable "B" Pillar Shoulder Belt Anchors	●	●	●
Power Windows with Auto Up/Down for All Windows	●	●	●	Anchor Points for Child Restraint Seats	●	●	●
Side Window Defoggers	●	●	●	Child Protector Rear Door Locks	●	●	●
Electric Rear Window Defroster with Timer	●	●	●	Assist Grips	●	●	●
Tinted Glass	●	●	●	First Aid Kit	●	●	●
UV Glass Protection	●	●	●	Blind Spot Monitor			●
Water Repellant Front Door Glass	●	●	●	Rear Cross Traffic Alert			●
Cargo Mat	●	●	●	Anti-theft System	●	●	●
Leather Wrapped Steering Wheel	●	●	●	Fuel Door Lock	●	●	●
Metallic Shift Knob	●	●	●	Warnings:Low Fuel, Low Engine Oil Level, Low Washer Fluid, Door Ajar, Front Driver and Passenger Seat Belt Warning, Oil Maintenance Warning with Mileage Counter, Tire Pressure Monitoring System with Auto Location, Rear Seat Seatbelt Warning	●		
Stainless Steel Scuff Plates	●	●	●	Warnings:Low Fuel, Low Engine Oil Level, Low Washer Fluid, Door Ajar, Front Driver and Passenger Seat Belt Warning, Tire Pressure Monitoring System with Auto Location, Rear Seat Seatbelt Warning		●	●
Driver Footrest	●	●	●	Lexus Safety System+:Pre-Collision System, Automatic High Beam, Dynamic Radar Cruise Control, Lane Departure Alert With Steering Assist	●	●	●
Centre Console With Armrest	●	●	●	Exterior			
Metallic Dash Accents	●	●	●	4-Door Sedan	●	●	●
Steering Wheel Audio Controls, Steering Wheel Paddle Shifters (A/T)	●	●		17" Aluminum Alloy Wheels, Wheel Locks	●	●	
Heated Steering Wheel, Power Tilt & Telescopic Steering Wheel, Steering Wheel Audio Controls, Steering Wheel Paddle Shifters (A/T)			●	18" Aluminum Alloy Wheels, Wheel Locks			●
Front Centre Console Box, Front Seat Back Pockets	●	●	●	Foldable Exterior Mirrors, Heated Exterior Mirrors, Integrated Signal Lamps	●	●	
Door Courtesy Lamps	●	●	●	Foldable Exterior Mirrors, Heated Exterior Mirrors, Mirrors Linked to Seat Memory, Integrated Signal Lamps, Reverse Auto Tilting Exterior Mirrors			●
Glove Box Lamp	●	●	●	Front Windshield Deficer	●	●	●
Map Lamps	●	●	●	Power Moonroof			●
Carpeting, Carpet Floor Mats, All Season Floor Mats	●	●	●	Colour-Keyed Mirrors	●	●	●
● Standard Equipment				Colour-Keyed Door Handles	●	●	●
Information correct at time of printing, subject to change without notice.				Variable Intermittent Wipers, Rain Sensing Wipers, Windshield Wiper De-Icer	●	●	●
				LED Headlamps	●	●	●
				Adaptive Front Lighting System			●
				Auto Leveling Headlamp System	●	●	●
				LED Daytime Running Lights	●	●	●

2018 IS SERIES Specifications

Mechanical		300 RWD	300 AWD	350 AWD
Engine	<ul style="list-style-type: none"> • 2.0 Litre, In-Line 4 Cylinder, DOHC, 16-Valve, Dual Variable Valve Timing with intelligence (VVT-i), Direct-Injection 4-Stroke Gasoline Engine (D-4S), Turbocharged, Intercooled, Low Emissions Vehicle (LEV3) • 3.5 Litre, 6-Cylinder, DOHC, 24-Valve, Dual Variable Valve Timing with intelligence (VVT-i), Direct-Injection 4-Stroke Gasoline Engine (D-4S), Tier 2 Bin 5 Emissions Rating • Active Sound Control 	•	•	•
Compression Ratio	<ul style="list-style-type: none"> • 10.0:1 • 11.8:1 	•	•	•
Horsepower hp (kW)	<ul style="list-style-type: none"> • 241 (180) @ 5,800 • 260 (193) @ 6,400 • 311 (231) @ 6,400 	•	•	•
Torque lb.ft. (N.m)	<ul style="list-style-type: none"> • 258 (350) @ 1,650 - 4,400 • 236 (320) @ 2,000 - 4,800 • 277 (375) @ 4,800 	•	•	•
Suspension	<ul style="list-style-type: none"> • Front: Double Wishbone Type, Gas Shock Absorbers, Coil Springs, Stabilizer Bar • Rear: Multi-link Rear Control Arms, Gas Shock Absorbers, Coil Springs, Stabilizer Bar 	•	•	•
Drivetrain	<ul style="list-style-type: none"> • Vehicle Dynamics Integrated Management (VDIM), Vehicle Stability Control (VSC), Mechanical Features: Drive Mode Select, Traction Control (TRAC) • Rear Wheel Drive • All Wheel Drive (AWD) 	•	•	•
Transmission	<ul style="list-style-type: none"> • 8-Speed, Automatic, Sport Direct Shift Control, Sequential Multi-Mode Shifter • 6-Speed, Automatic, Super Electronically Controlled Transmission (Super ECT), Sequential Multi-Mode Shifter 	•	•	•
Brakes	<ul style="list-style-type: none"> • Power Assisted, Front Ventilated Disc Brakes, Rear Ventilated Disc Brakes, Antilock Braking System (ABS), Brake Assist (BA), Electronic Brake Force Distribution (EBD) 	•	•	•
Steering	<ul style="list-style-type: none"> • Electric Power Steering 	•	•	•
Tires	<ul style="list-style-type: none"> • P225/45R17, All Season Tires, Compact Spare Tire • P255/35R18 (Rear), P225/40R18 (Front), Compact Spare Tire • P255/35R18 (Rear), P225/40R18 (Front) 	•	•	•

DIMENSIONS		300 RWD	300 AWD	350 AWD
Length mm (in.)	<ul style="list-style-type: none"> • 4680 (184.3) 	•	•	•
Width mm (in.)	<ul style="list-style-type: none"> • 1810 (71.3) 	•	•	•
Height mm (in.)	<ul style="list-style-type: none"> • 1430 (56.3) 	•	•	•
WheelBase mm (in.)	<ul style="list-style-type: none"> • 2800 (110.2) 	•	•	•
Tread mm (in.)	<ul style="list-style-type: none"> • Front: 1535 (60.4) Rear: 1550 (61.0) 	•	•	•
Seating Capacity	<ul style="list-style-type: none"> • 5 	•	•	•
Ground Clearance mm (in.)	<ul style="list-style-type: none"> • 135 (5.3) • 130 (5.1) 	•	•	•
Headroom mm (in.)	<ul style="list-style-type: none"> • Front: 970 (38.2) Rear: 936 (36.9) 	•	•	•
Legroom mm (in.)	<ul style="list-style-type: none"> • Front: 1138 (44.8) Rear: 818 (32.2) 	•	•	•
Shoulder Room mm (in.)	<ul style="list-style-type: none"> • Front: 1421 (55.9) Rear: 1357 (53.4) 	•	•	•
GVWR kg (lbs.)	<ul style="list-style-type: none"> • 2100 (4630) • 2125 (4686) 	•	•	•
CURB WEIGHT kg (lbs.)	<ul style="list-style-type: none"> • 1625 (3583) • 1695 (3737) 	•	•	•
CARGO CAPACITY m ³ (cu.ft.)	<ul style="list-style-type: none"> • 0.31 (10.82) 	•	•	•
Coefficient of Drag (cd.)	<ul style="list-style-type: none"> • 0.28 	•	•	•
Turning Circle m(ft.)	<ul style="list-style-type: none"> • 10.4 (34.1) • 10.8 (35.4) 	•	•	•
FUEL CAPACITY l(Gal.)	<ul style="list-style-type: none"> • 66 (14.5) 	•	•	•
FUEL CONSUMPTION RATING**	<ul style="list-style-type: none"> • L/100km mpg 			
City/Highway/Combined	<ul style="list-style-type: none"> • 10.6/7.3/9.1 27/39/31 	•	•	•
	<ul style="list-style-type: none"> • TBD 		•	•

• Standard Equipment ○ Optional Equipment

Information correct at time of printing, subject to change without notice.



SERIES/MODEL
2018MY

IS300 RWD

SAMPLE ORDER BA1D2V A M 0085

STEP 1
CHOOSE
TRANSMISSION

N/A (MANUAL) BA1D2V (AUTOMATIC)

STEP 2
CHOOSE
OPTIONS

1ST LTR OF SFX OPTIONS INCLUDED IN SUFFIX (SEE BELOW FOR DETAILS)

MSRP		1ST LTR OF SFX	OPTIONS INCLUDED IN SUFFIX
40,850		A	IS300 RWD
44,650		F	F SPORT Series 1

STEP 3

CHOOSE COLOUR

2ND LTR OF SFX	COLOUR CODE	EXTERIOR COLOUR DESCRIPTION	INTERIOR TRIM	INTERIOR MATERIAL	INTERIOR COLOUR	N/A ON SFX
M	0085	EMINENT WHITE PEARL	Black Metallic	NuLuxe	BLACK	F
M	0083	ULTRA WHITE	F SPORT Aluminium	F SPORT NuLuxe	BLACK	A
N	0083	ULTRA WHITE	F SPORT Aluminium	F SPORT NuLuxe	RIOJA RED	A
M	01H9	NEBULA GREY PEARL	Black Metallic	NuLuxe	BLACK	F
M	0083	ULTRA WHITE	F SPORT Aluminium	F SPORT NuLuxe	BLACK	A
N	01H9	NEBULA GREY PEARL	F SPORT Aluminium	F SPORT NuLuxe	RIOJA RED	A
M	01J7	ATOMIC SILVER	Black Metallic	NuLuxe	BLACK	F
M	01J7	ATOMIC SILVER	F SPORT Aluminium	F SPORT NuLuxe	BLACK	A
N	01J7	ATOMIC SILVER	F SPORT Aluminium	F SPORT NuLuxe	RIOJA RED	A
M	0223	CAVIAR	Black Metallic	NuLuxe	BLACK	F
M	0212	OBSIDIAN	F SPORT Aluminium	F SPORT NuLuxe	BLACK	A
N	0212	OBSIDIAN	F SPORT Aluminium	F SPORT NuLuxe	RIOJA RED	A
M	03T2	REDLINE	F SPORT Aluminium	F SPORT NuLuxe	BLACK	A
B	08X1	ULTRASONIC BLUE MICA 2.0	F SPORT Aluminium	F SPORT NuLuxe	BLACK	A

SERIES/PAGE IS2_1
EFF. DATE: 10/10/2017
REPLACES: 8/1/2017

OPTION CONTENTS AND PRICING

NAME	F SPORT Series 1	Lexus Premium Colour
MSRP	3,800 /	650 /

CONTENTS	F SPORT Series 1	Lexus Premium Colour
ACTIVE SOUND CONTROL		ULTRASONIC BLUE MICA 2.0 (08X1)
3-SPOKE F SPORT STEERING WHEEL		
P215/35R18 (REAR)		
P225/40R18 (FRONT)		
F SPORT CENTER WHEEL ORNAMENT		
18" F SPORT WHEELS		
BLIND SPOT MONITOR SYSTEM		
REAR CROSS TRAFFIC ALERT		
HEATED & VENTILATED FRONT SEATS		
F SPORT SEATS		
LFA FULL TFT INSTRUMENT CLUSTER		
POWER MOONROOF		
F SPORT FRONT GRILLE		
F SPORT AERO PACKAGE		
ELECTROCHROMIC SIDE VIEW MIRRORS		
INTERIOR TRIM: F SPORT SHIFT KNOB		
F SPORT SCLIFF PLATES		



SERIES/MODEL
2018MY **IS300 AWD**

SERIES/PAGE IS2_2
EFF. DATE: 10/10/2017
REPLACES : 8/1/2017

STEP 1 CHOOSE TRANSMISSION		STEP 2 CHOOSE OPTIONS	
N/A (MANUAL)	C81D2T (AUTOMATIC)	1ST LTR OF SFX	OPTIONS INCLUDED IN SUFFIX (SEE BELOW FOR DETAILS)
MSRP		A	IS300 AWD
	43,400	B	Premium Package
	45,300	C	Luxury Package
	48,250	F	F SPORT Series 1
	47,200	G	F SPORT Series 2
	50,000		

STEP 3

CHOOSE COLOUR

2ND LTR OF SFX	COLOUR CODE	EXTERIOR COLOUR DESCRIPTION	INTERIOR TRIM	INTERIOR MATERIAL	INTERIOR COLOUR	N/A ON SFX
L	0223	CAVIAR	Black Metallic	NuLuxe	CHATEAU	A,F,G
M	0223	CAVIAR	Black Metallic	NuLuxe	BLACK	F,G
L	0085	EMINENT WHITE PEARL	Black Metallic	NuLuxe	CHATEAU	A,F,G
M	0085	EMINENT WHITE PEARL	Black Metallic	NuLuxe	BLACK	F,G
L	0117	ATOMIC SILVER	Black Metallic	NuLuxe	CHATEAU	A,F,G
M	0117	ATOMIC SILVER	Black Metallic	NuLuxe	BLACK	F,G
M	0117	ATOMIC SILVER	F SPORT Aluminium	F SPORT NuLuxe	BLACK	A,B,C
N	0117	ATOMIC SILVER	F SPORT Aluminium	F SPORT NuLuxe	RIOJA RED	A,B,C
M	01H9	NEBULA GREY PEARL	Black Metallic	NuLuxe	BLACK	F,G
M	01H9	NEBULA GREY PEARL	F SPORT Aluminium	F SPORT NuLuxe	BLACK	A,B,C
N	01H9	NEBULA GREY PEARL	F SPORT Aluminium	F SPORT NuLuxe	RIOJA RED	A,B,C
M	0212	OBSDIAN	F SPORT Aluminium	F SPORT NuLuxe	BLACK	A,B,C
N	0212	OBSDIAN	F SPORT Aluminium	F SPORT NuLuxe	RIOJA RED	A,B,C
M	0083	ULTRA WHITE	F SPORT Aluminium	F SPORT NuLuxe	BLACK	A,B,C
N	0083	ULTRA WHITE	F SPORT Aluminium	F SPORT NuLuxe	RIOJA RED	A,B,C
M	03T2	REDLINE	F SPORT Aluminium	F SPORT NuLuxe	BLACK	A,B,C
B	08X1	ULTRASONIC BLUE MICA 2.0	F SPORT Aluminium	F SPORT NuLuxe	BLACK	A,B,C

OPTION CONTENTS AND PRICING

NAME	Lexus Premium Colour	Premium Package	Luxury Package	F SPORT Series 1	F SPORT Series 2
MSRP	650 /	1,900 /	4,850 /	3,800 /	6,600 /
CONTENTS	ULTRASONIC BLUE MICA 2.0 (08X1)	HEATED STEERING WHEEL P255/35R18 (REAR) P225/40R18 (FRONT) 18" ALUMINIUM ALLOY WHEELS HEATED & VENTILATED FRONT SEATS POWER MOONROOF	Premium Package PLUS: POWER TILT & TELESCOPIC STEERING WHEEL SINGLE IN-DASH DVD REMOTE CONTROL NAVIGATION 10.3-INCH DISPLAY SCREEN BLIND SPOT MONITOR REAR CROSS TRAFFIC ALERT DRIVER SEAT MEMORY CLEARANCE AND BACKUP SENSORS POWER REAR WINDOW SUNSHADE AUTO-DIMMING REAR VIEW MIRROR WITH HOMELINK MEMORY MIRRORS HEATED EXTERIOR MIRRORS AUTO-DIMMING SIDE VIEW MIRRORS ADAPTIVE FRONT LIGHTING SYSTEM	3-SPOKE F SPORT STEERING WHEEL P255/35R18 (REAR) P225/40R18 (FRONT) F SPORT CENTER WHEEL ORNAMENT 18" F SPORT WHEELS HEATED & VENTILATED FRONT SEATS F SPORT SEATS LFA FULL TFT INSTRUMENT CLUSTER POWER MOONROOF F SPORT FRONT GRILLE F SPORT AERO PACKAGE INTERIOR TRIM: F SPORT SHIFT KNOB F SPORT SCUFF PLATES	F SPORT Series 1 PLUS: HEATED STEERING WHEEL POWER TILT & TELESCOPIC STEERING WHEEL SINGLE IN-DASH DVD REMOTE CONTROL NAVIGATION 10.3-INCH DISPLAY SCREEN BLIND SPOT MONITOR SYSTEM REAR CROSS TRAFFIC ALERT DRIVER SEAT MEMORY SYSTEM CLEARANCE AND BACKUP SENSORS MEMORY MIRRORS HEATED EXTERIOR MIRRORS ELECTROCHROMIC SIDE VIEW MIRRORS AUTO-DIMMING SIDE VIEW MIRRORS



SERIES/PAGE IS3_4
 EFF. DATE: 10/10/2017
 REPLACES : 8/1/2017

SERIES/MODEL IS350 AWD
 2018MY

SAMPLE ORDER	CZ1D2T	D	M 0085
--------------	--------	---	--------

STEP 1
 CHOOSE TRANSMISSION

N/A (MANUAL)	CZ1D2T (AUTOMATIC)
--------------	--------------------

STEP 2
 CHOOSE OPTIONS

1ST LTR OF SFX	OPTIONS INCLUDED IN SUFFIX (SEE BELOW FOR DETAILS)
D	Executive Package
G	F SPORT Series 2
H	F SPORT Series 3

MSRP			
	52,900		
	54,200		
	55,800		

STEP 3
 CHOOSE COLOUR

2ND LTR	COLOUR	EXTERIOR COLOUR	INTERIOR TRIM	INTERIOR MATERIAL	INTERIOR COLOUR	N/A ON SFX
M	0085	EMINENT WHITE PEARL	Black Metallic	NuLuxe	BLACK	G,H
L	0085	EMINENT WHITE PEARL	Black Metallic	NuLuxe	CHATEAU	G,H
M	01H9	NEBULA GREY PEARL	Black Metallic	NuLuxe	BLACK	G,H
M			F SPORT Aluminium	F SPORT NuLuxe	BLACK	D
N	01H9	NEBULA GREY PEARL	F SPORT Aluminium	F SPORT NuLuxe	RIOJA RED	D
M	01J7	ATOMIC SILVER	Black Metallic	NuLuxe	BLACK	G,H
L	01J7	ATOMIC SILVER	Black Metallic	NuLuxe	CHATEAU	G,H
M	01J7	ATOMIC SILVER	F SPORT Aluminium	F SPORT NuLuxe	BLACK	D
N	01J7	ATOMIC SILVER	F SPORT Aluminium	F SPORT NuLuxe	RIOJA RED	D
M	0223	CAVIAR	Black Metallic	NuLuxe	BLACK	G,H
L	0223	CAVIAR	Black Metallic	NuLuxe	CHATEAU	G,H
M	0083	ULTRA WHITE	F SPORT Aluminium	F SPORT NuLuxe	BLACK	D
N	0083	ULTRA WHITE	F SPORT Aluminium	F SPORT NuLuxe	RIOJA RED	D
M	0212	OBSIDIAN	F SPORT Aluminium	F SPORT NuLuxe	BLACK	D
N	0212	OBSIDIAN	F SPORT Aluminium	F SPORT NuLuxe	RIOJA RED	D
M	03T2	REDLINE	F SPORT Aluminium	F SPORT NuLuxe	BLACK	D
B	08X1	ULTRASONIC BLUE MICA 2.0	F SPORT Aluminium	F SPORT NuLuxe	BLACK	D

OPTION CONTENTS AND PRICING

NAME	F SPORT Series 2	F SPORT Series 3	Lexus Premium Colour
MSRP	1,300 /	2,900 /	650 /

CONTENTS	F SPORT Series 2 PLUS: 3-SPOKE F SPORT STEERING WHEEL	F SPORT Series 3 PLUS: 18" F SPORT WHEELS	ULTRASONIC BLUE MICA 2.0 (08X1)
ADAPTIVE VARIABLE SUSPENSION		15 SPEAKER MARK LEVINSON SURROUND SOUND AUDIO SYSTEM	
F SPORT CENTER WHEEL ORNAMENT		POWER REAR WINDOW SUNSHADE	
F SPORT WHEELS		LED HEADLAMPS	
10 SPEAKERS		ADAPTIVE FRONT LIGHTING SYSTEM	
DRIVER SEAT MEMORY SYSTEM			
F SPORT SEATS			
LFA FULL TFT INSTRUMENT CLUSTER			
F SPORT FRONT GRILLE			
F SPORT AERO PACKAGE			
MEMORY MIRRORS			
HEATED EXTERIOR MIRRORS			
AUTO-DIMMING SIDE VIEW MIRRORS			
INTERIOR TRIM: F SPORT SHIFT KNOB			
F SPORT SCUFF PLATES			
NOT INCLUDING:			
REAR SUNSHADE			
ADAPTIVE FRONT LIGHTING SYSTEM			
MARK LEVINSON			