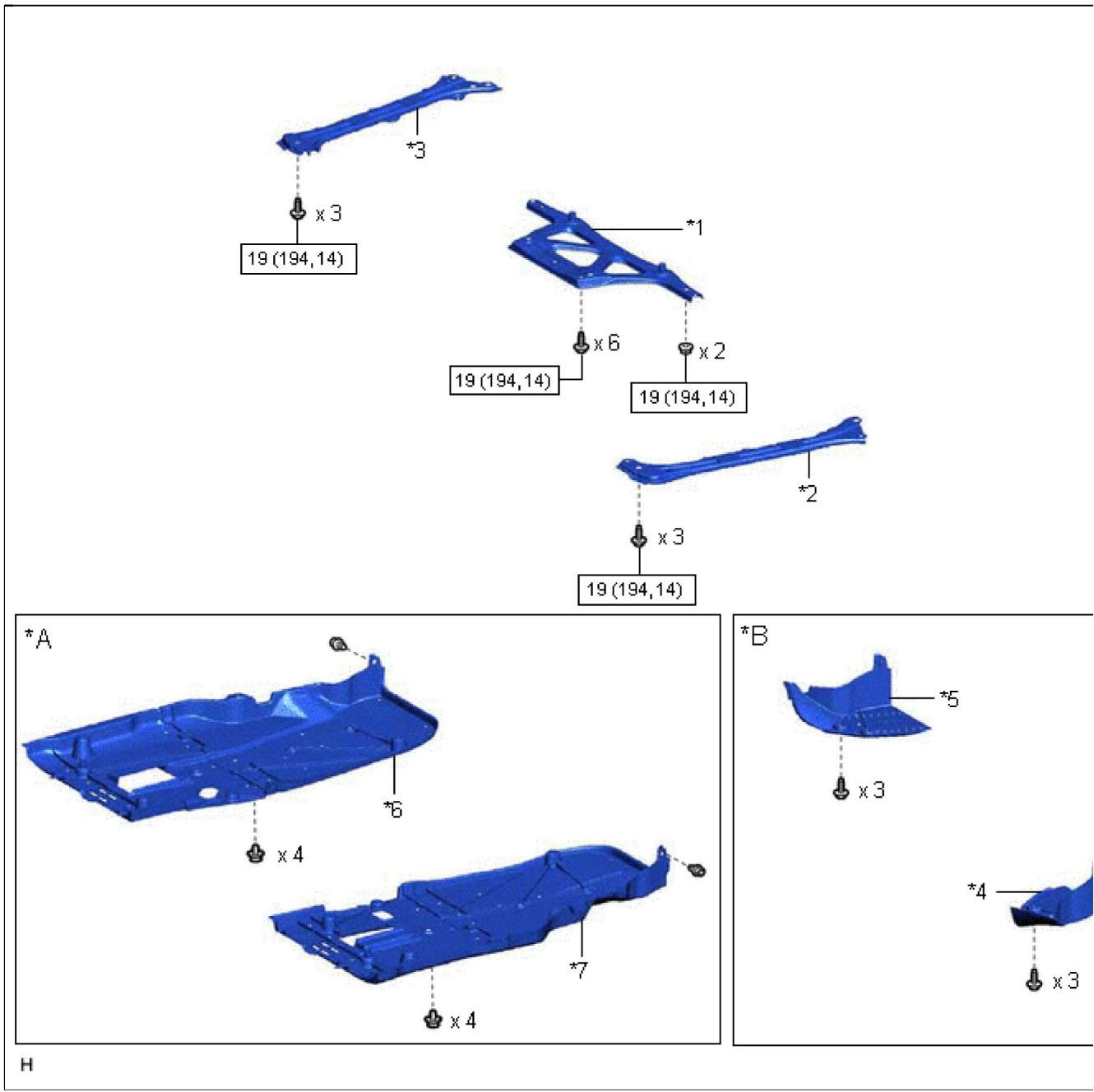



Last Modified: 04-28-2016	6.6 K	Doc ID: RM100000000N7PO
Model Year Start: 2016	Model: IS200T	Prod Date Range: [08/2015 -]
Title: REAR SUSPENSION: REAR SUSPENSION MEMBER: COMPONENTS; 2016 MY IS200T IS250 IS300 IS350 [08/2015 -]		

COMPONENTS

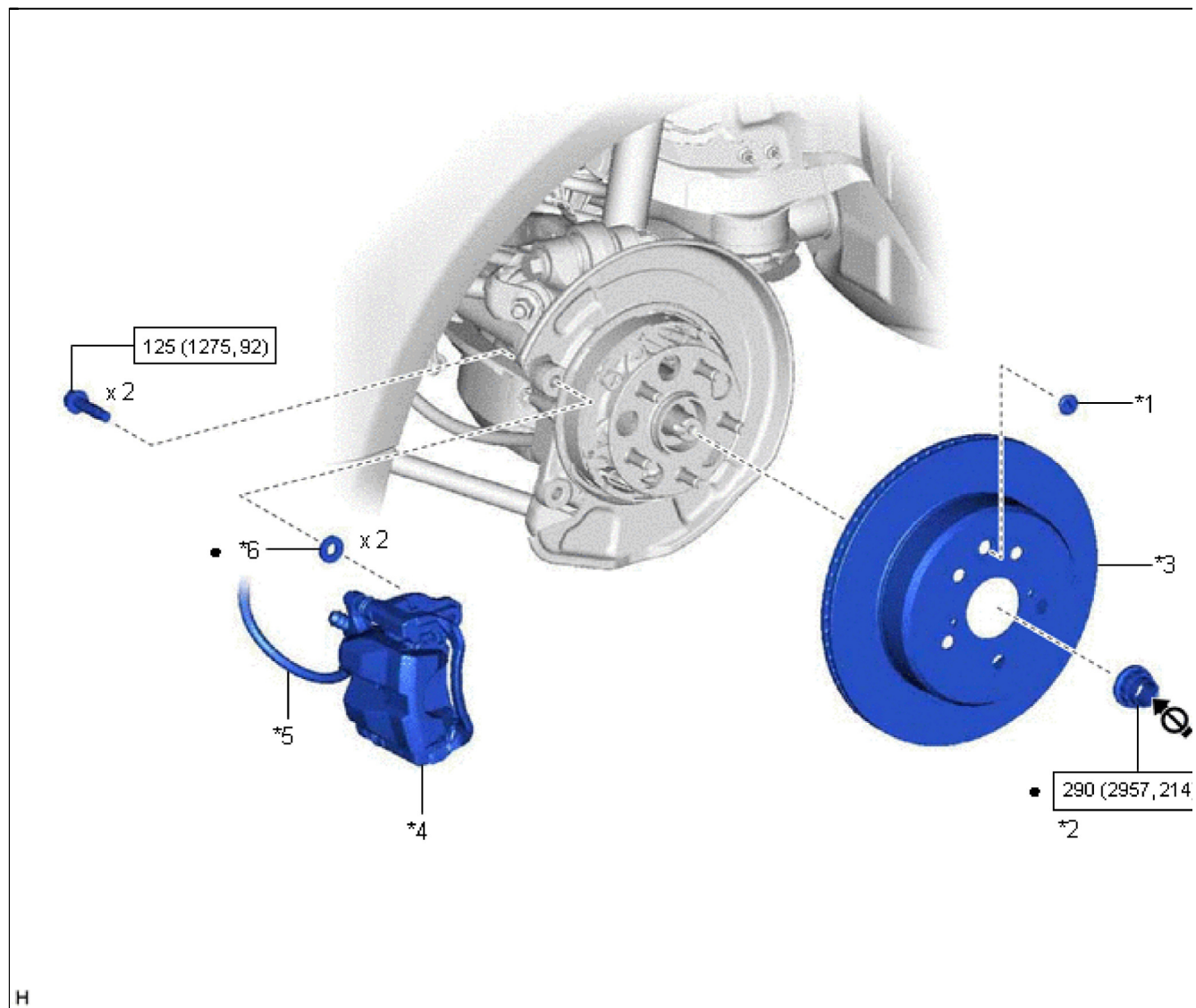
ILLUSTRATION



*A	for Full Cover Type	*B	for Half Cover Type
*1	FRONT CENTER FLOOR BRACE	*2	

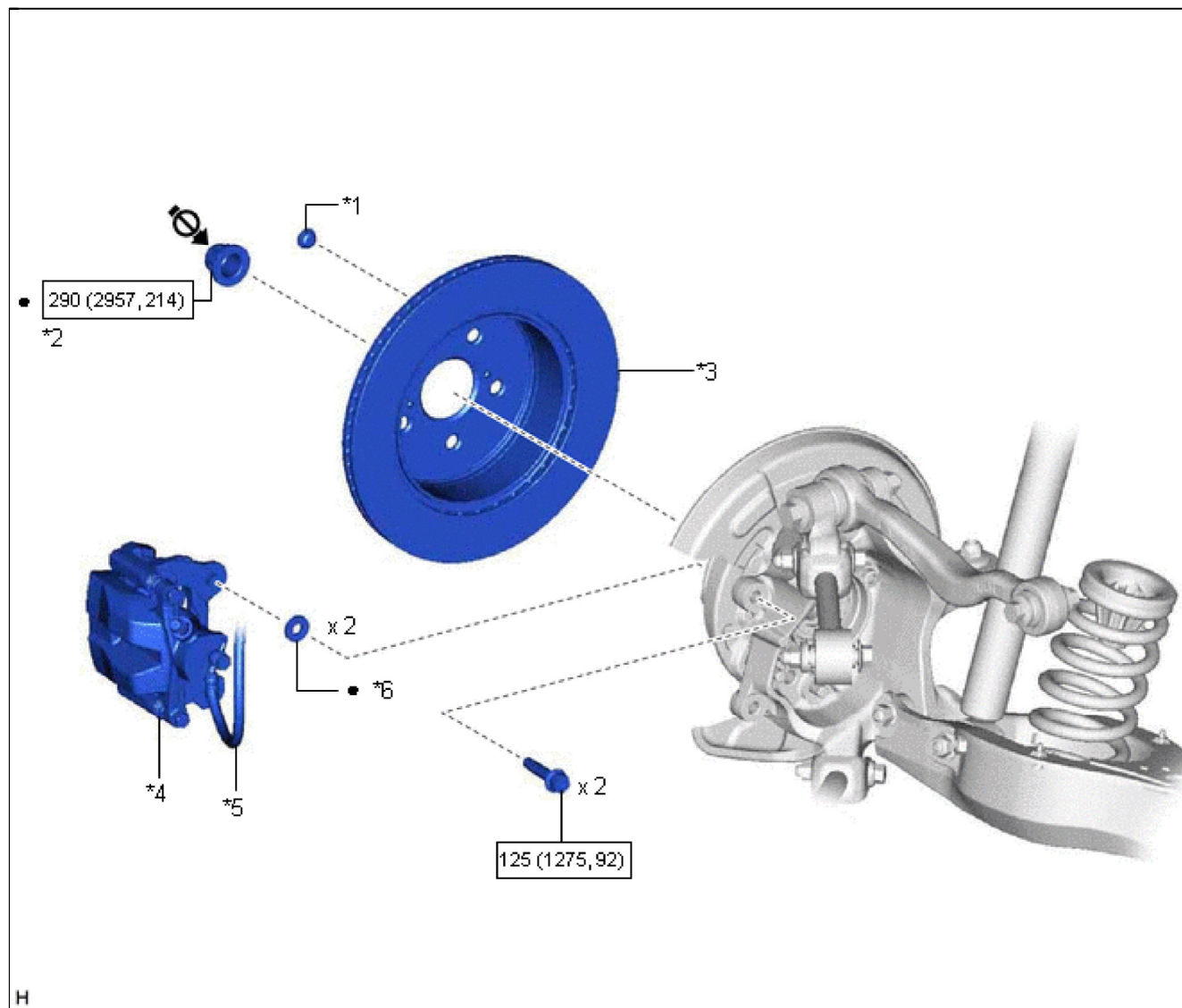
			REAR BODY MOUNTING CUSHION SUB-ASSEMBLY LH
*3	REAR BODY MOUNTING CUSHION SUB-ASSEMBLY RH	*4	REAR FLOOR SIDE MEMBER COVER
*5	REAR FLOOR SIDE MEMBER COVER RH	*6	REAR NO. 1 FLOOR BOARD SUB-ASSEMBLY
*7	REAR NO. 2 FLOOR BOARD SUB-ASSEMBLY	-	-
	N*m (kgf*cm, ft.*lbf): Specified torque	-	-

ILLUSTRATION



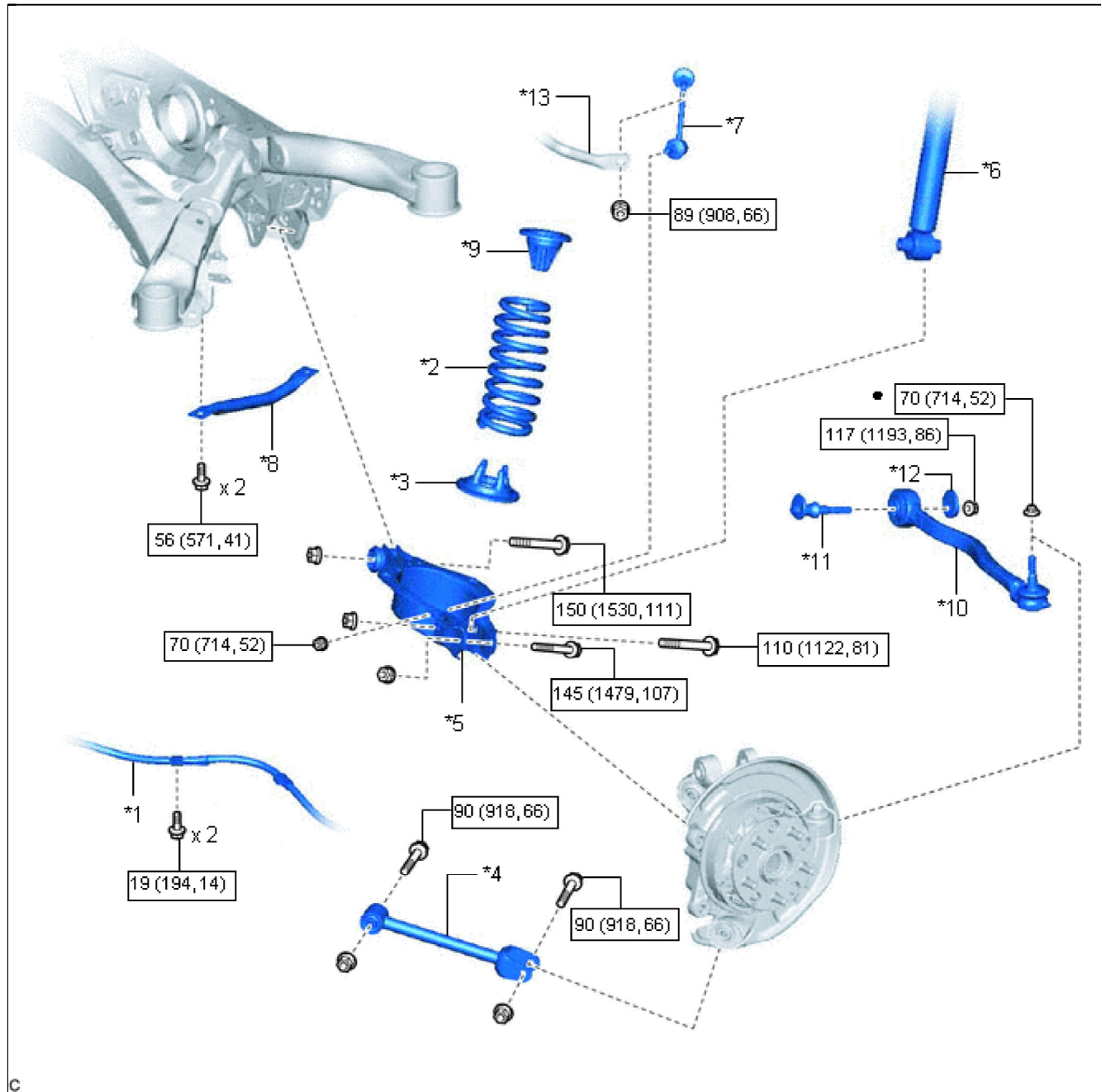
*1	PARKING BRAKE SHOE ADJUSTING HOLE PLUG	*2	REAR AXLE SHAFT NUT LH
*3	REAR DISC	*4	REAR DISC BRAKE CALIPER ASSEM LH
*5	REAR FLEXIBLE HOSE	*6	REAR NO. 1 DISC BRAKE CALIPER PLATE
	N*m (kgf*cm, ft.*lbf): Specified torque	•	Non-reusable part
	Do not apply lubricants to the threaded parts	-	-

ILLUSTRATION




*1	PARKING BRAKE SHOE ADJUSTING HOLE PLUG	*2	REAR AXLE SHAFT NUT RH
*3	REAR DISC	*4	REAR DISC BRAKE CALIPER ASSEM RH
*5	REAR FLEXIBLE HOSE	*6	REAR NO. 1 DISC BRAKE CALIPER PLATE
	N*m (kgf*cm, ft.*lbf): Specified torque	•	Non-reusable part
	Do not apply lubricants to the threaded parts	-	-

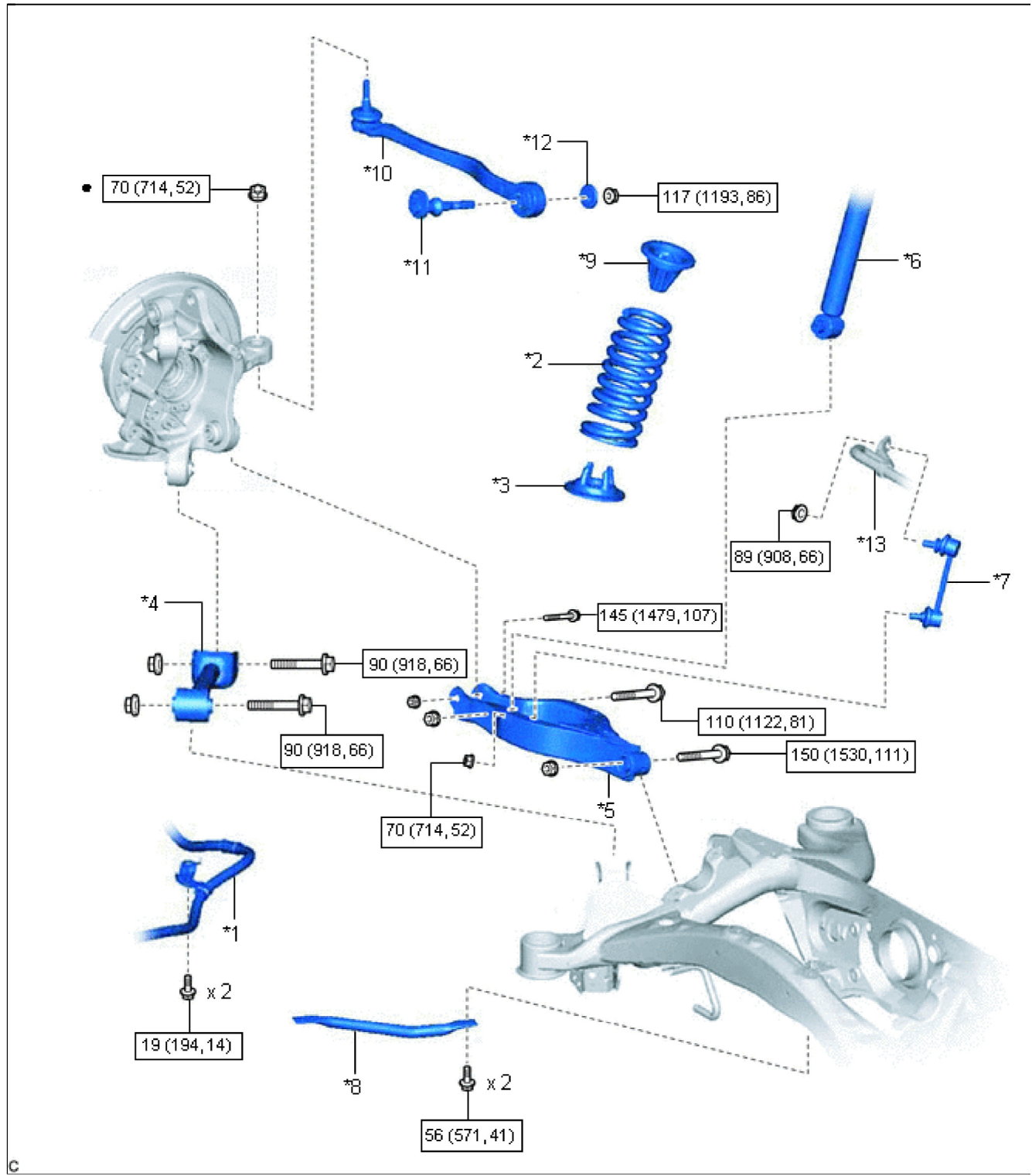
ILLUSTRATION




*1	NO. 3 PARKING BRAKE CABLE ASSEMBLY	*2	REAR COIL SPRING LH
*3	REAR LOWER COIL SPRING INSULATOR	*4	REAR NO. 1 SUSPENSION ARM ASSEMBLY LH
*5	REAR NO. 2 SUSPENSION ARM ASSEMBLY LH	*6	REAR SHOCK ABSORBER ASSEMBLY LH

*7	REAR STABILIZER LINK ASSEMBLY LH	*8	REAR SUSPENSION MEMBER BRACE LH
*9	REAR UPPER COIL SPRING INSULATOR	*10	TOE CONTROL LINK SUB-ASSEMBLY LH
*11	TOE ADJUST CAM SUB-ASSEMBLY	*12	NO. 2 TOE ADJUST PLATE
*13	REAR STABILIZER BAR	-	-
	N*m (kgf*cm, ft.*lbf): Specified torque	•	Non-reusable part

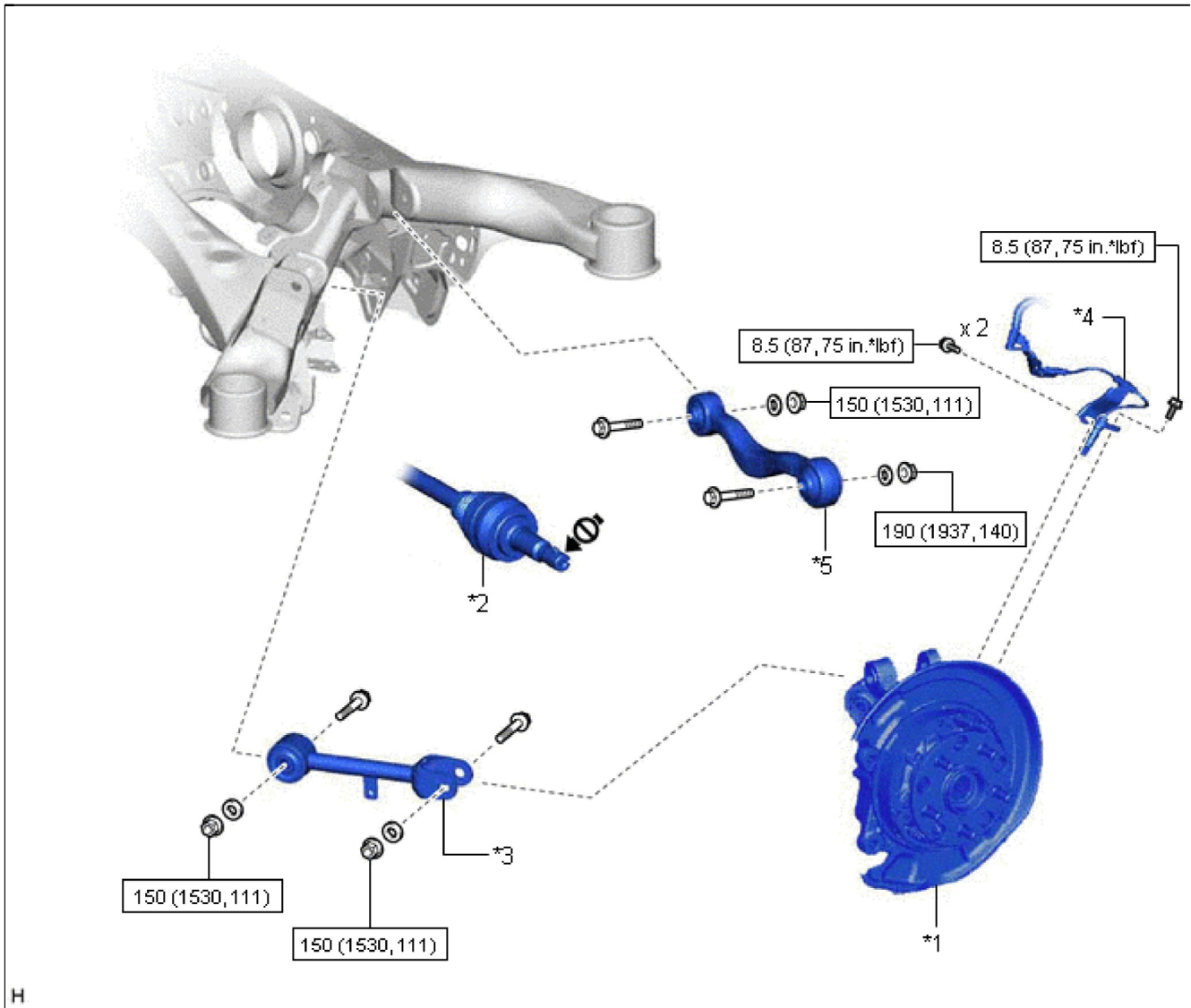
ILLUSTRATION



*1	NO. 2 PARKING BRAKE CABLE ASSEMBLY	*2	REAR COIL SPRING RH
*3		*4	

	REAR LOWER COIL SPRING INSULATOR		REAR NO. 1 SUSPENSION ARM ASSEMBLY RH
*5	REAR NO. 2 SUSPENSION ARM ASSEMBLY RH	*6	REAR SHOCK ABSORBER ASSEMBLY RH
*7	REAR STABILIZER LINK ASSEMBLY RH	*8	REAR SUSPENSION MEMBER BRACE RH
*9	REAR UPPER COIL SPRING INSULATOR	*10	TOE CONTROL LINK SUB-ASSEMBLY RH
*11	TOE ADJUST CAM SUB-ASSEMBLY	*12	NO. 2 TOE ADJUST PLATE
*13	REAR STABILIZER BAR	-	-
	N*m (kgf*cm, ft.*lbf): Specified torque	•	Non-reusable part

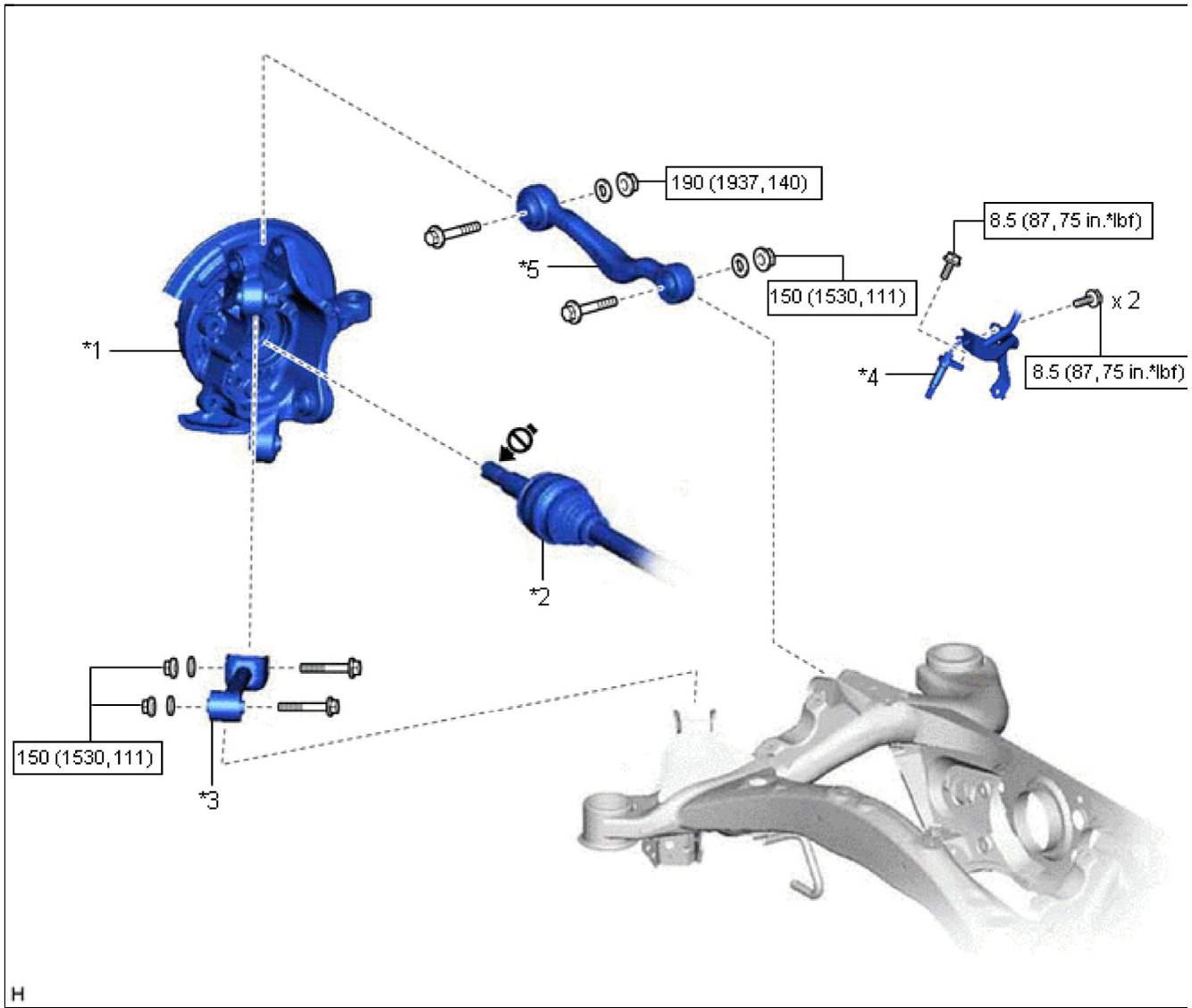
ILLUSTRATION



H

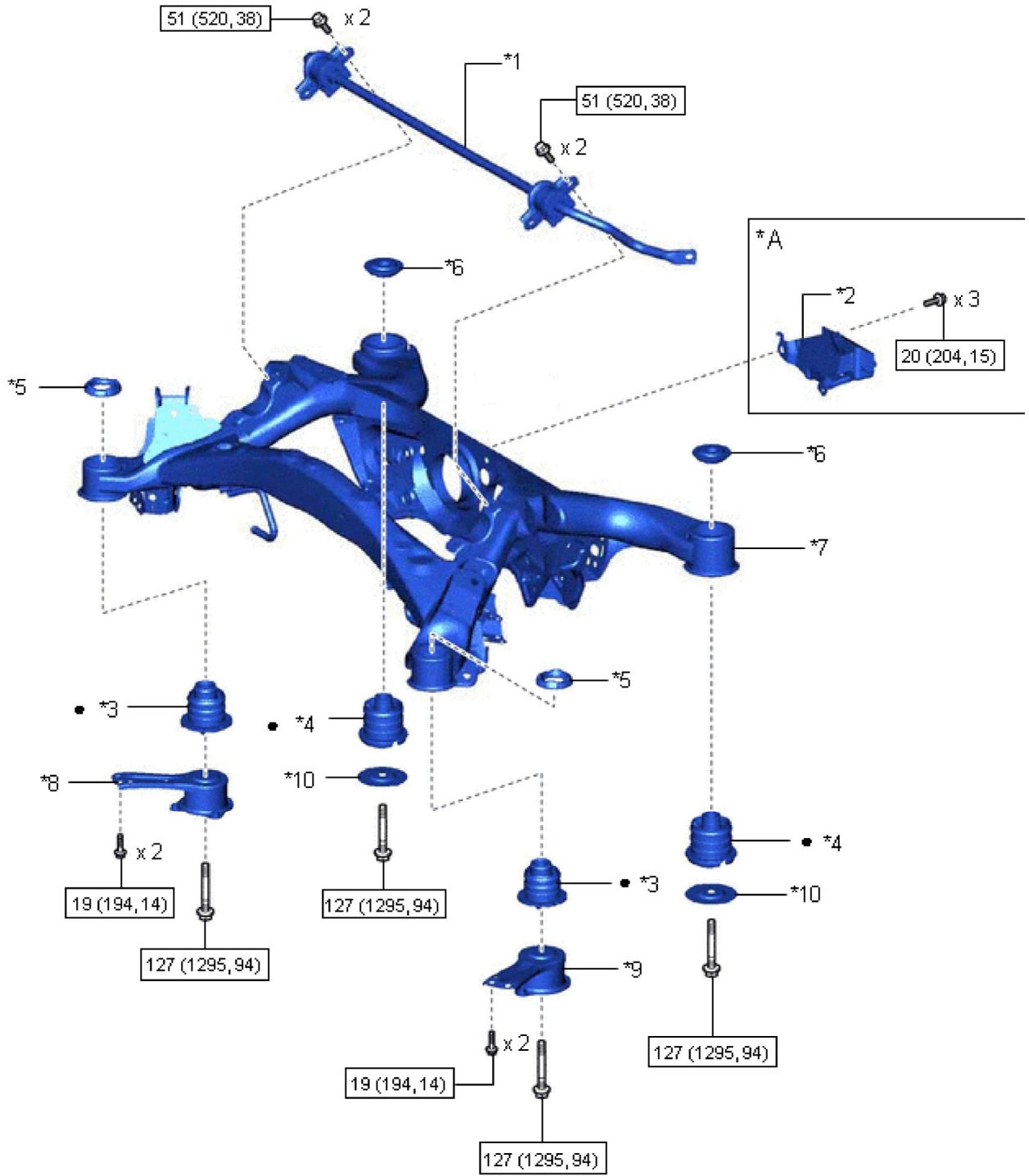
*1	REAR AXLE ASSEMBLY LH	*2	REAR DRIVE SHAFT ASSEMBLY LH
*3	REAR NO. 1 UPPER CONTROL ARM ASSEMBLY	*4	REAR SPEED SENSOR LH
*5	REAR UPPER CONTROL ARM ASSEMBLY LH	-	-
	N*m (kgf*cm, ft.*lbf): Specified torque		Do not apply lubricants to the threaded parts

ILLUSTRATION



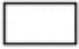
*1	REAR AXLE ASSEMBLY RH	*2	REAR DRIVE SHAFT ASSEMBLY RH
*3	REAR NO. 1 UPPER CONTROL ARM ASSEMBLY	*4	REAR SPEED SENSOR RH
*5	REAR UPPER CONTROL ARM ASSEMBLY RH	-	-
	N*m (kgf*cm, ft.*lbf): Specified torque		Do not apply lubricants to the threaded parts

ILLUSTRATION



H

*A	for 8AR-FTS	-	-
*1	REAR STABILIZER BAR	*2	REAR SUSPENSION MEMBER DAMPI
*3		*4	

	REAR SUSPENSION MEMBER FRONT BODY MOUNTING CUSHION		REAR SUSPENSION MEMBER REAR BODY MOUNTING CUSHION
*5	REAR SUSPENSION MEMBER REAR LOWER STOPPER	*6	REAR SUSPENSION MEMBER REAR UPPER STOPPER
*7	REAR SUSPENSION MEMBER SUB-ASSEMBLY	*8	REAR SUSPENSION MEMBER LOWER STOPPER SUB-ASSEMBLY RH
*9	REAR SUSPENSION MEMBER LOWER STOPPER SUB-ASSEMBLY LH	*10	REAR SUSPENSION MEMBER LOWER STOPPER
	N*m (kgf*cm, ft.*lbf): Specified torque	•	Non-reusable part

