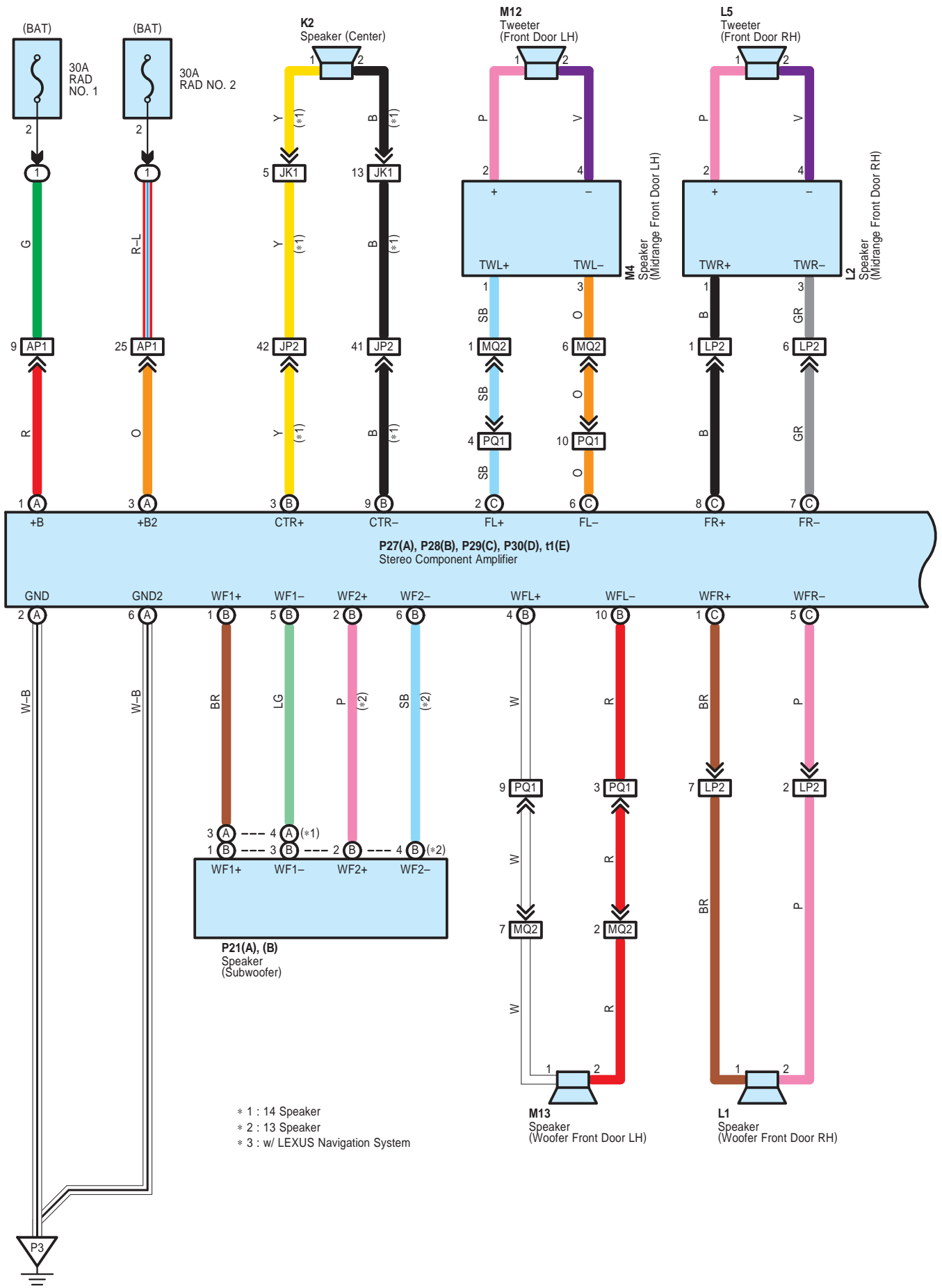
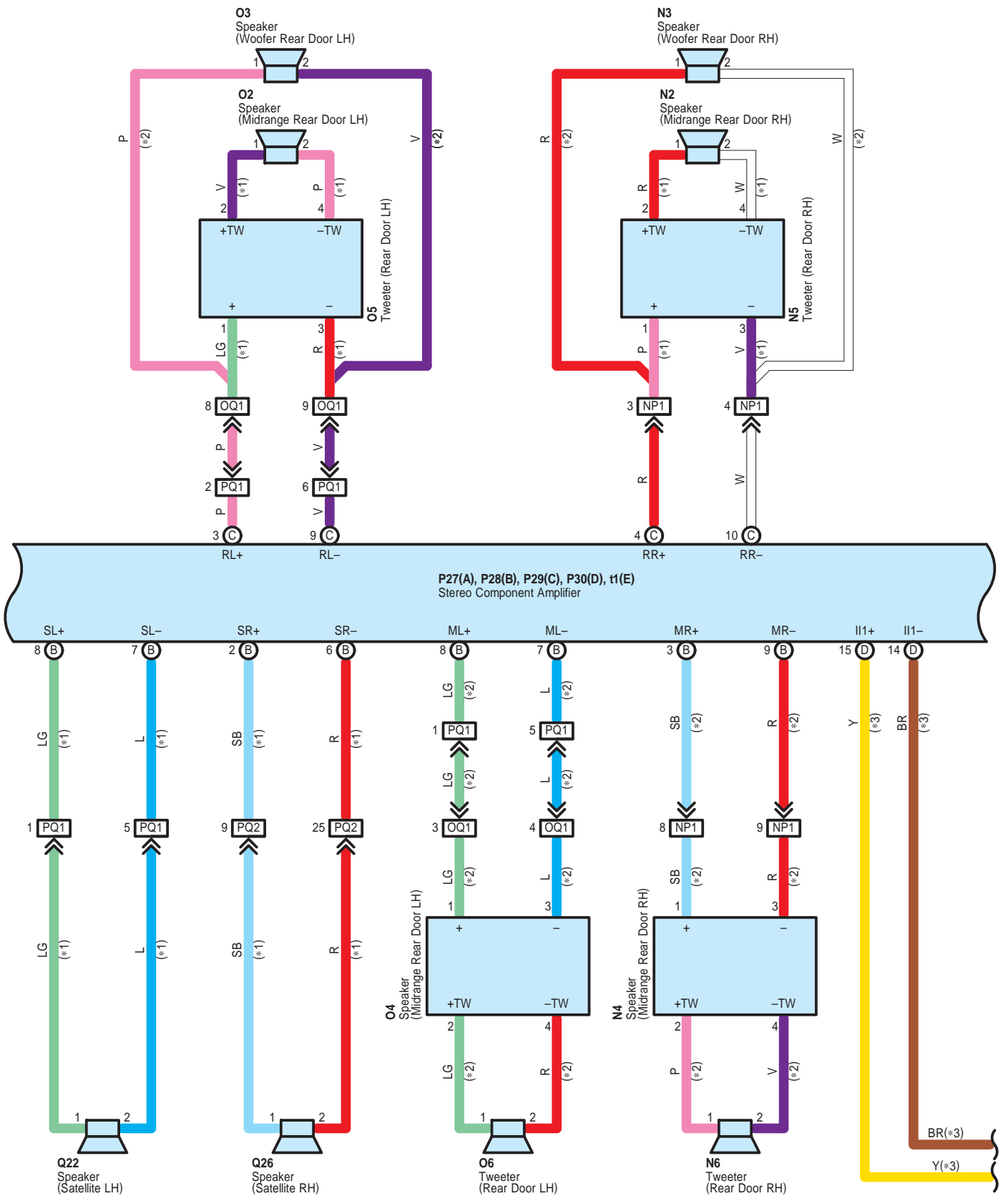


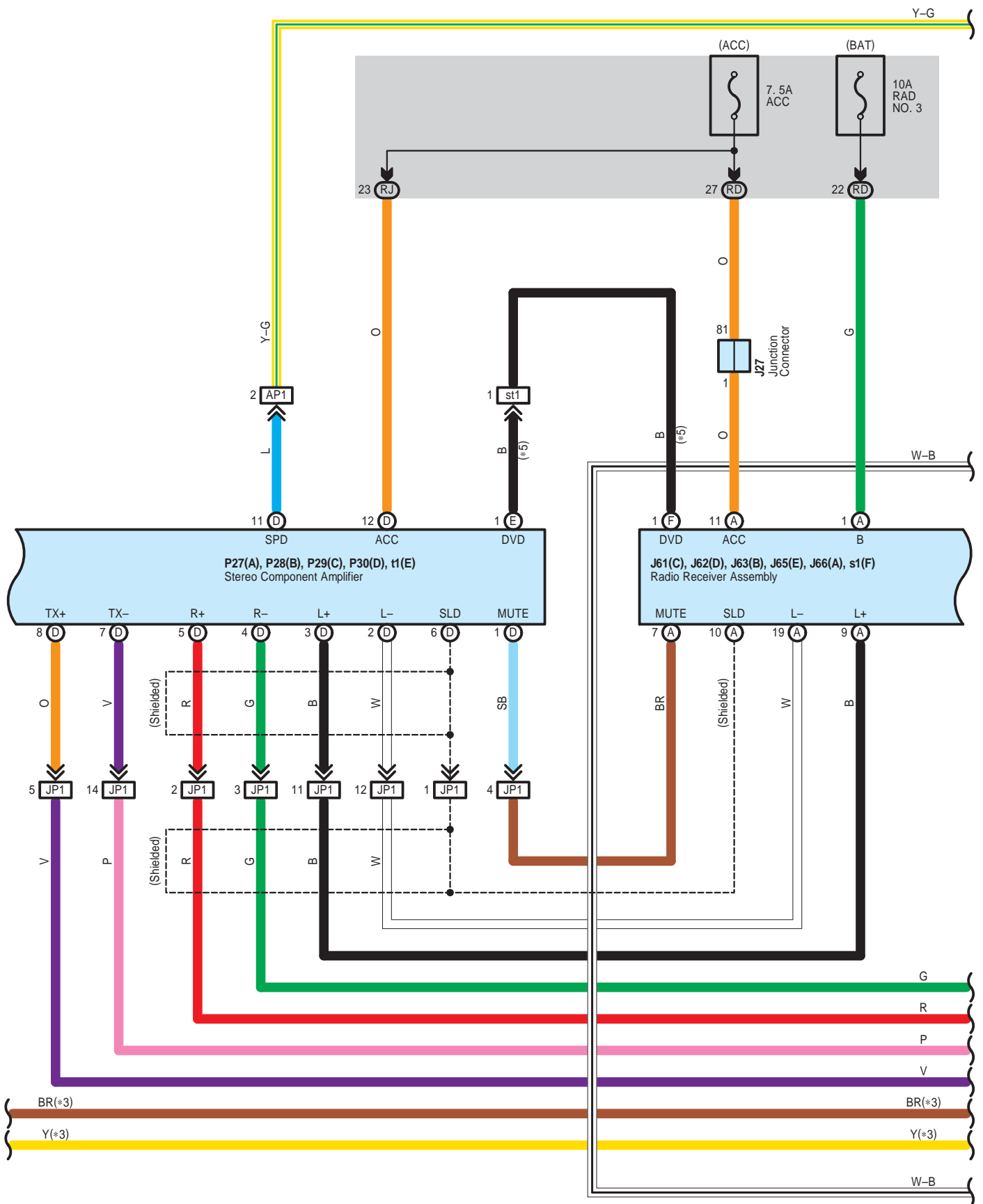
Navigation, Parking Assist (Rear View Monitor) and Audio System



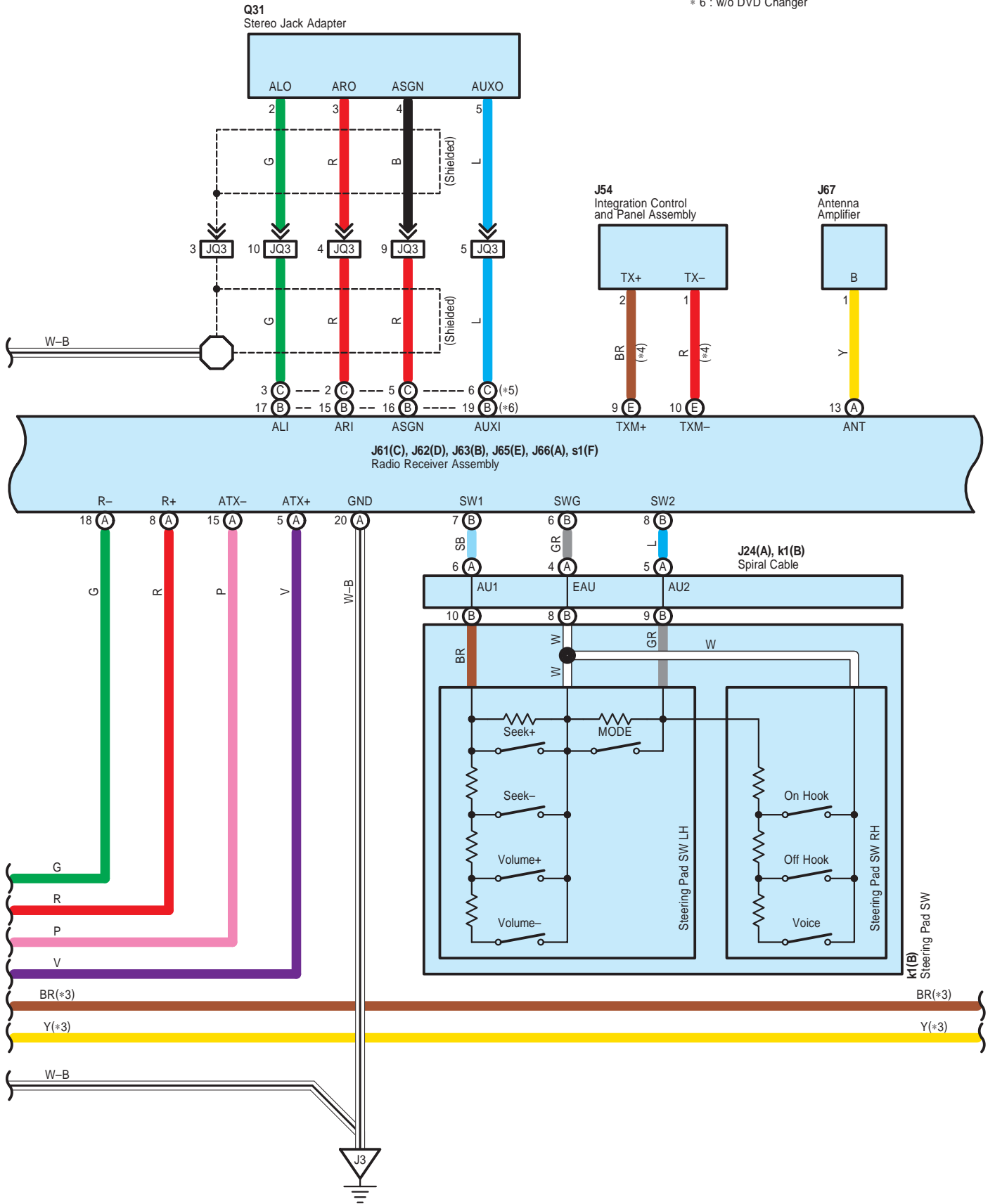
- * 1 : 14 Speaker
- * 2 : 13 Speaker
- * 3 : w/ LEXUS Navigation System



Navigation, Parking Assist (Rear View Monitor) and Audio System



- * 3 : w/ LEXUS Navigation System
- * 4 : w/o LEXUS Navigation System
- * 5 : w/ DVD Changer
- * 6 : w/o DVD Changer

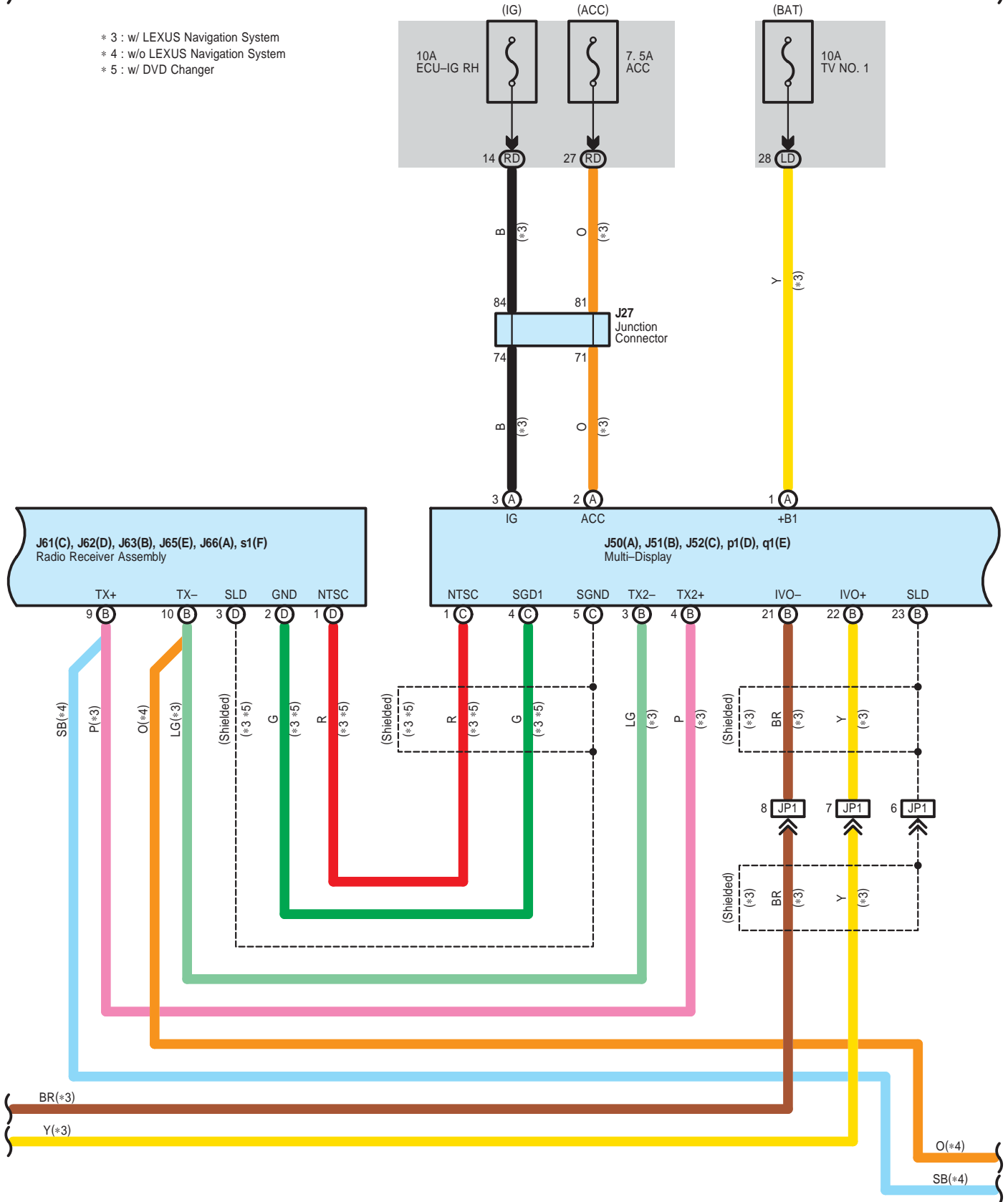


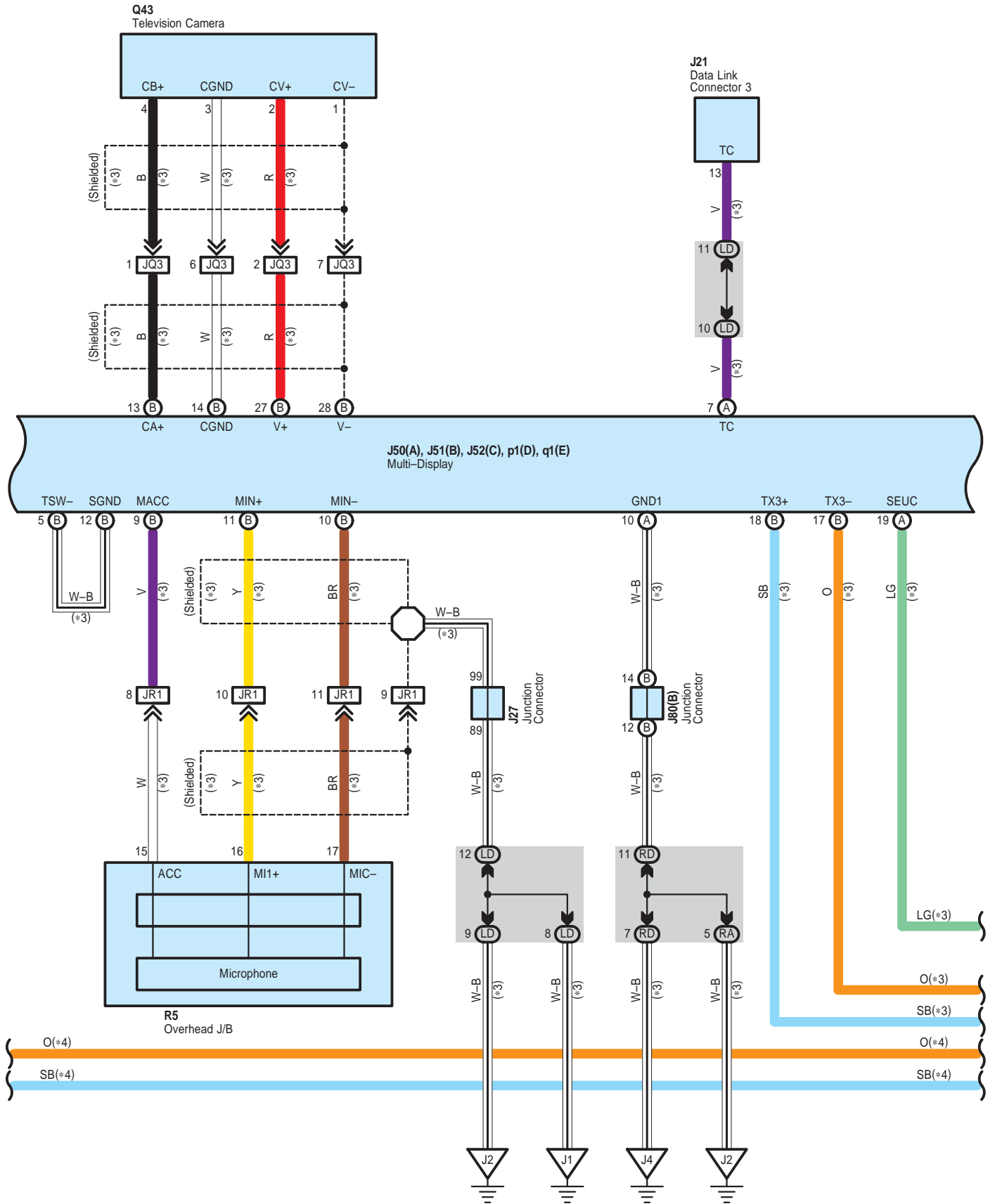
Navigation, Parking Assist (Rear View Monitor) and Audio System

Y-G

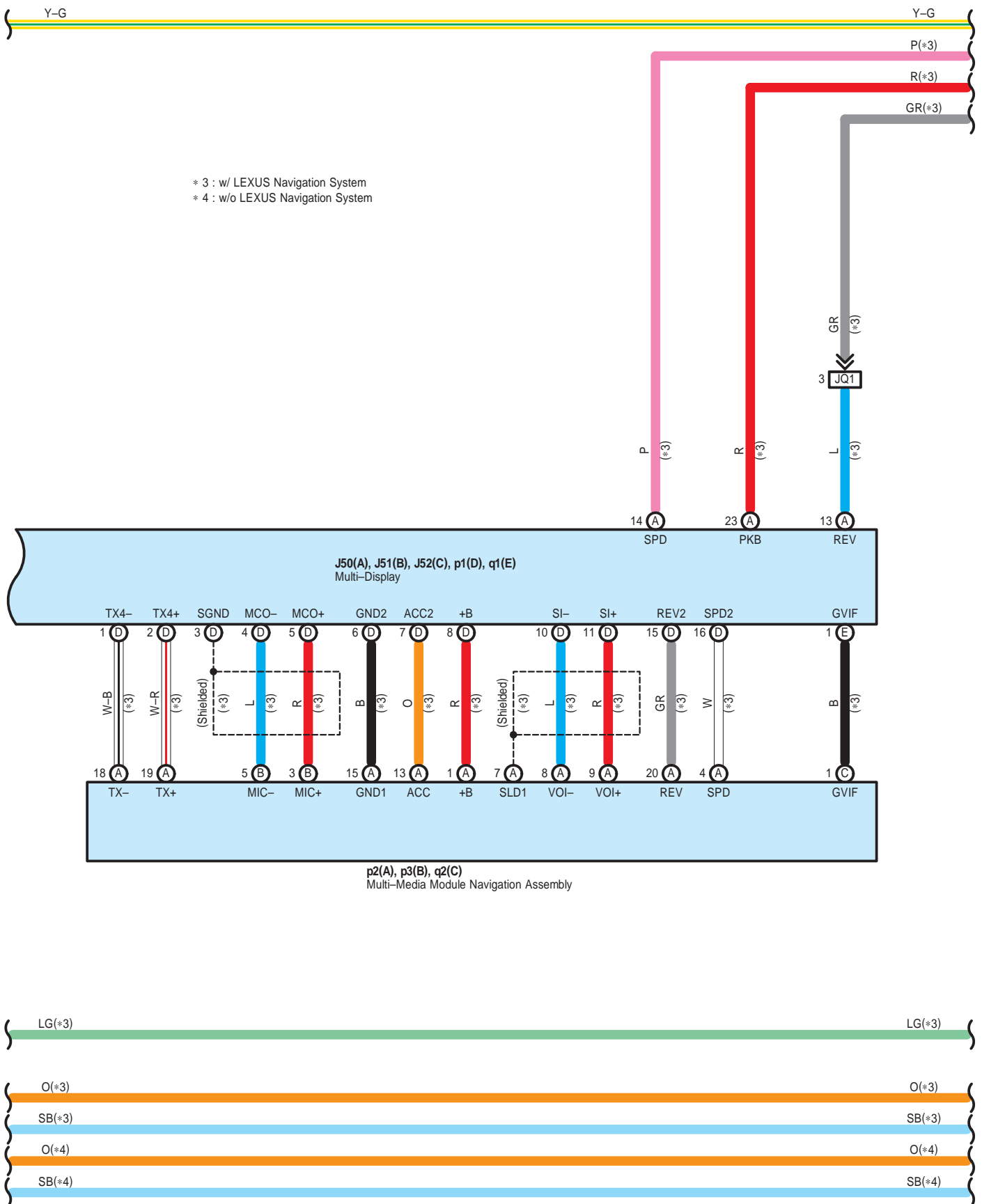
Y-G

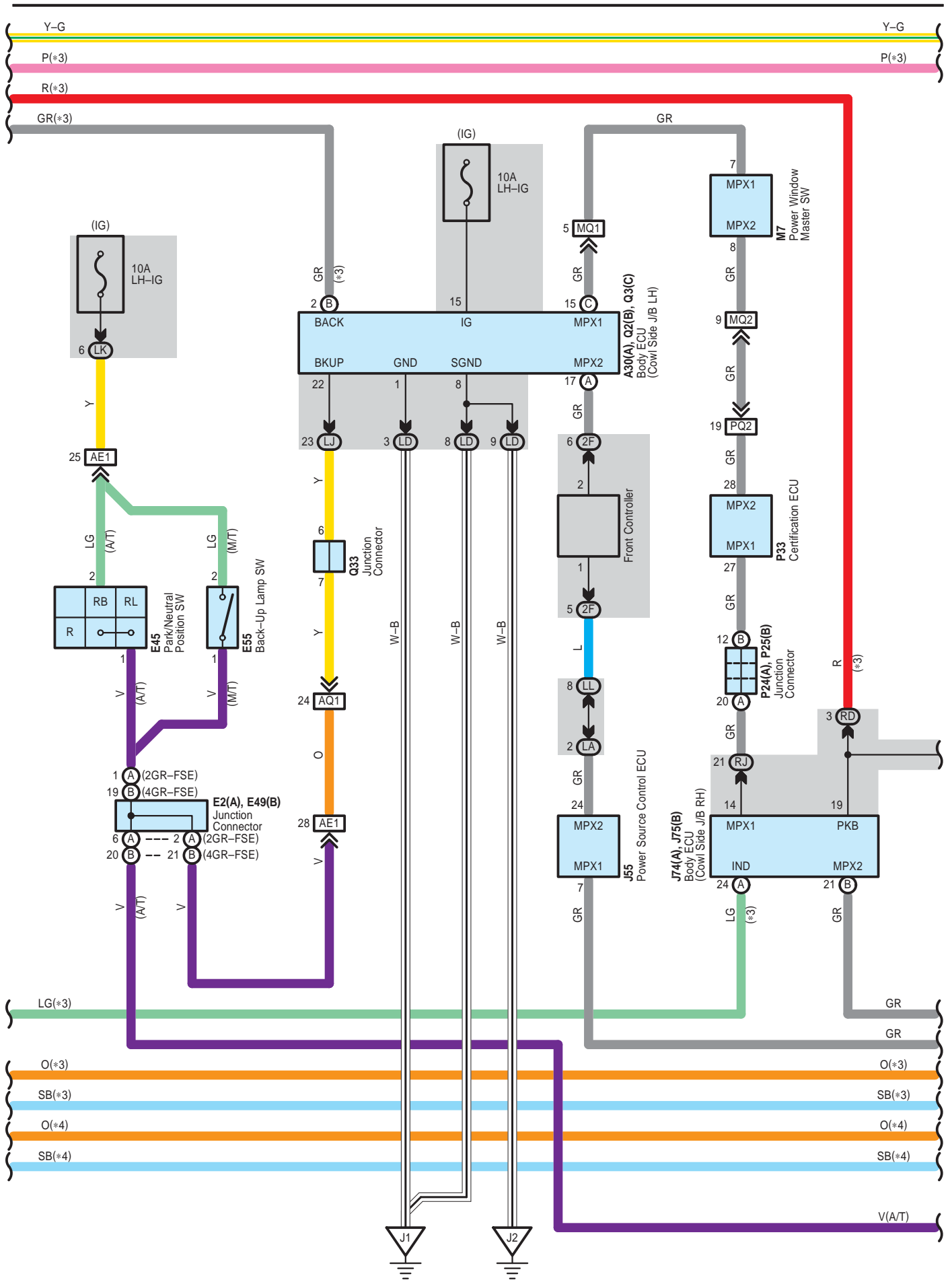
- * 3 : w/ LEXUS Navigation System
- * 4 : w/o LEXUS Navigation System
- * 5 : w/ DVD Changer



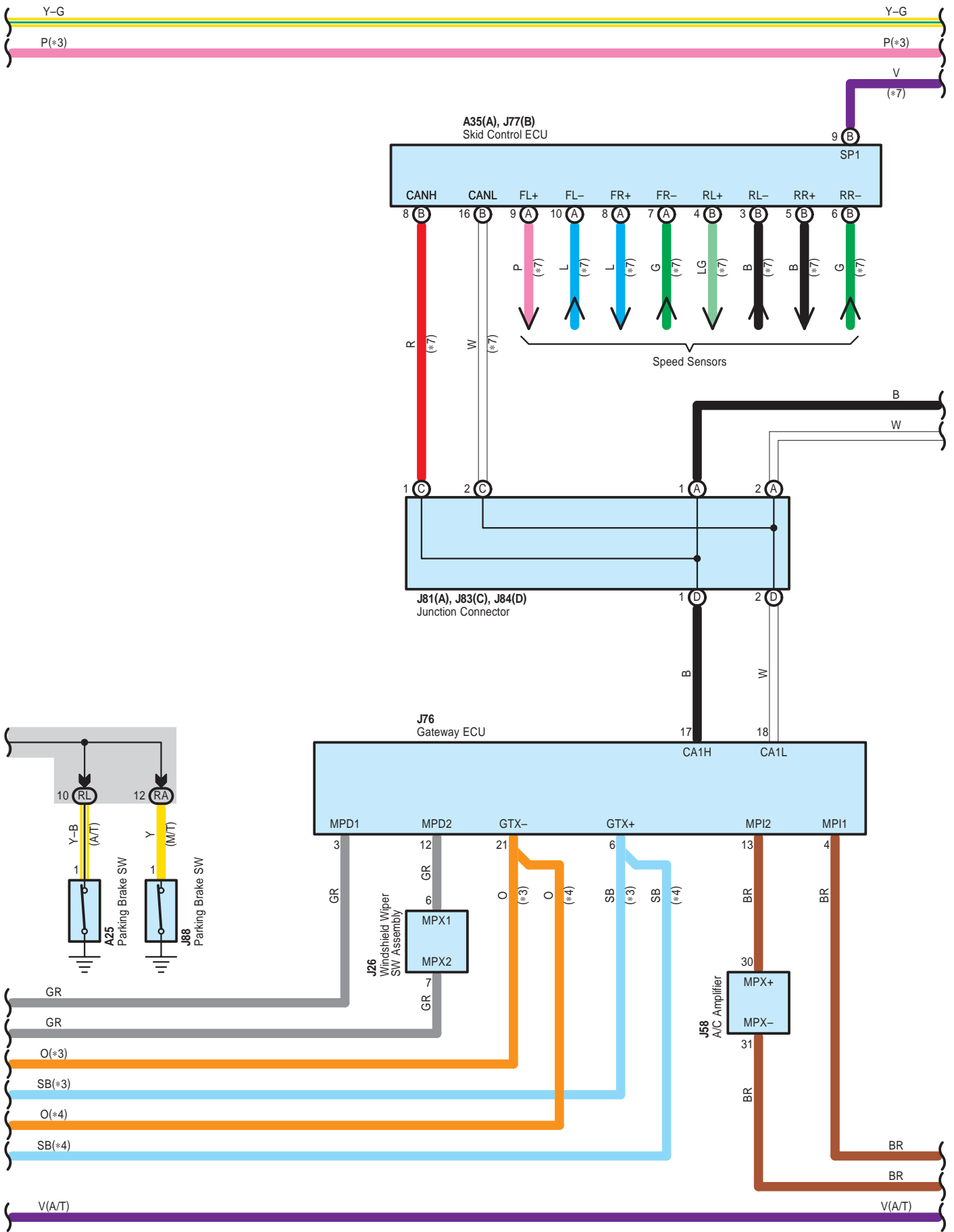


Navigation, Parking Assist (Rear View Monitor) and Audio System



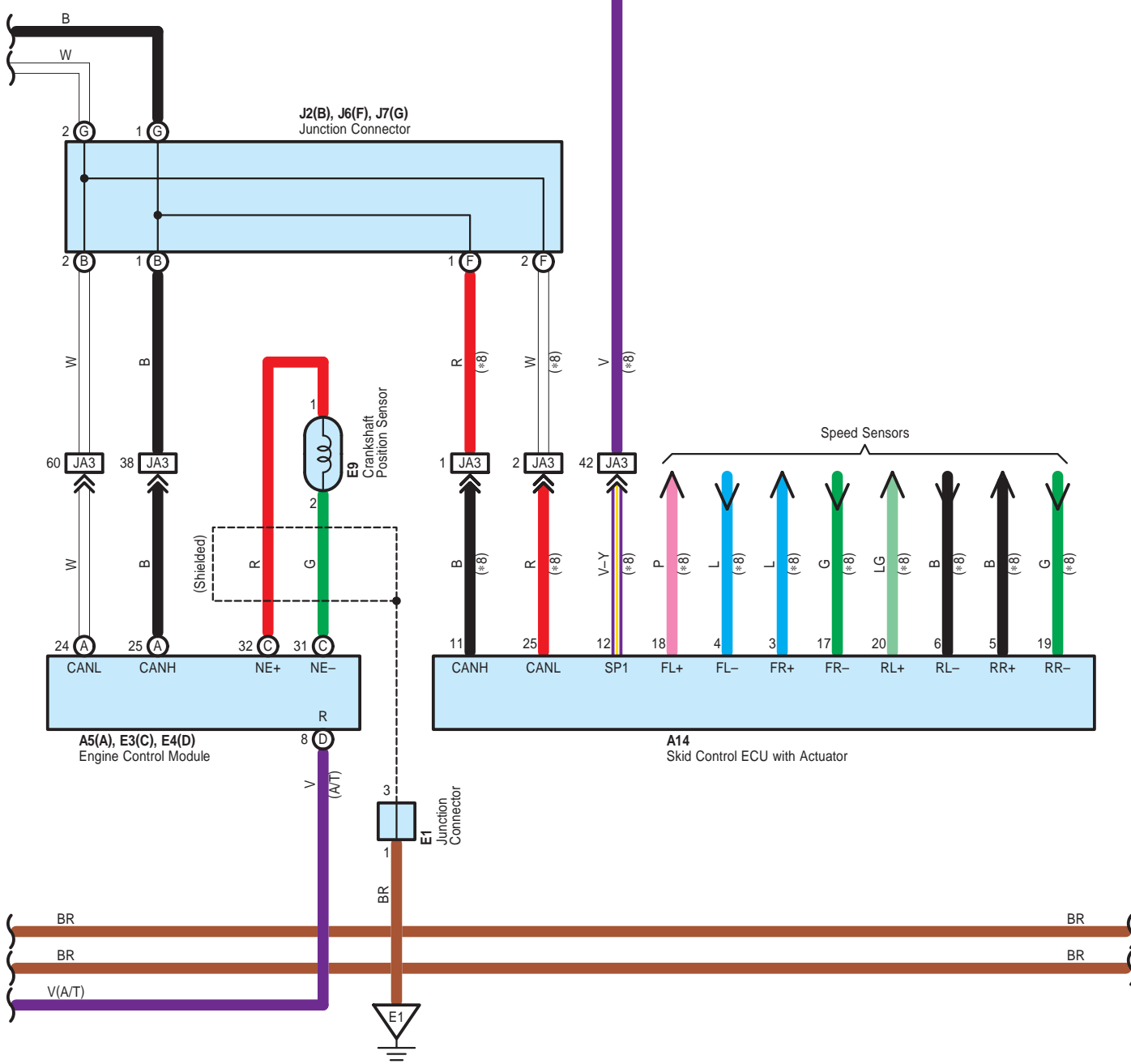


Navigation, Parking Assist (Rear View Monitor) and Audio System

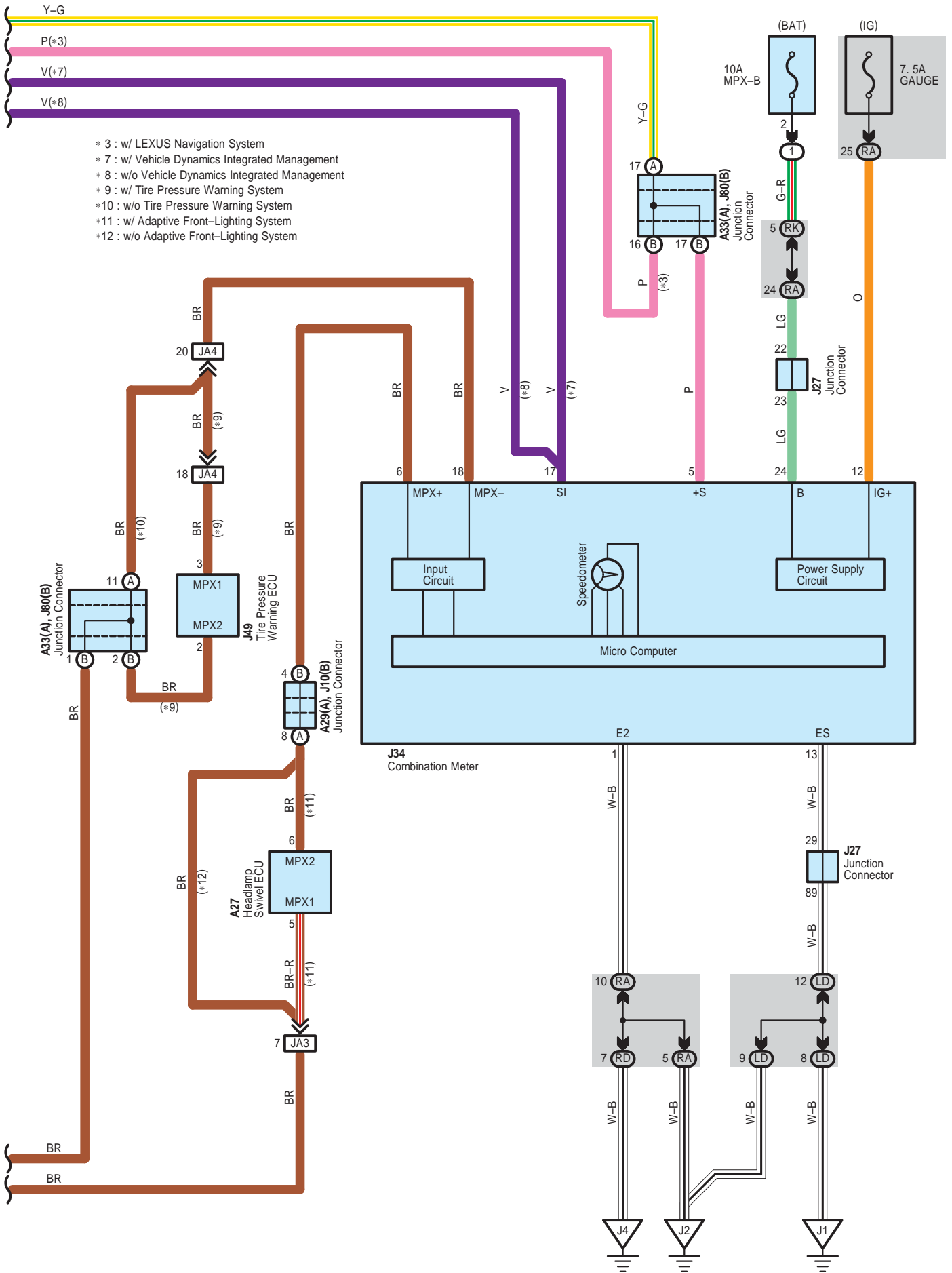




- * 3 : w/ LEXUS Navigation System
- * 4 : w/o LEXUS Navigation System
- * 7 : w/ Vehicle Dynamics Integrated Management
- * 8 : w/o Vehicle Dynamics Integrated Management



Navigation, Parking Assist (Rear View Monitor) and Audio System



○ : Parts Location

Code		See Page	Code		See Page	Code		See Page
A5	A	50 (2GR-FSE)	J50	A	59	N5	62	
		54 (4GR-FSE)	J51	B	59	N6	62	
A14		54 (4GR-FSE)	J52	C	59	O2	62	
A25		61	J54		59	O3	62	
A27		61	J55		59	O4	62	
A29	A	61	J58		59	O5	62	
A30	A	61	J61	C	60	O6	62	
A33	A	61	J62	D	60	P21	A	63
A35	A	61	J63	B	60		B	63
E1		52 (2GR-FSE)	J65	E	60	P24	A	63
		56 (4GR-FSE)	J66	A	60	P25	B	63
E2	A	52 (2GR-FSE)	J67		60	P27	A	63
E3	C	52 (2GR-FSE)	J74	A	60	P28	B	63
		56 (4GR-FSE)	J75	B	60	P29	C	63
E4	D	52 (2GR-FSE)	J76		60	P30	D	63
		56 (4GR-FSE)	J77	B	60	P33		63
E9		52 (2GR-FSE)	J80	B	60	Q2	B	61
		56 (4GR-FSE)	J81	A	48, 60	Q3	C	61
E45		52 (2GR-FSE)	J83	C	48, 60	Q22		64
		56 (4GR-FSE)	J84	D	48, 60	Q26		64
E49	B	56 (4GR-FSE)	J88		60	Q31		61
E55		56 (4GR-FSE)	K2		61	Q33		64
J2	B	46, 58	L1		62	Q43		64
J6	F	46, 58	L2		62	R5		65
J7	G	46, 58	L5		62	k1	B	61
J10	B	58	M4		62	p1	D	61
J21		58	M7		62	p2	A	61
J24	A	58	M12		62	p3	B	61
J26		58	M13		62	q1	E	61
J27		58	N2		62	q2	C	61
J34		59	N3		62	s1	F	61
J49		59	N4		62	t1	E	65

○ : Relay Blocks

Code	See Page	Relay Blocks (Relay Block Location)
1	22	Engine Room R/B No.1 (Near the Battery)

○ : Junction Block and Wire Harness Connector

Code	See Page	Junction Block and Wire Harness (Connector Location)
2F	27	Engine Room Main Wire and Engine Room J/B No.2 (Engine Compartment Left)
LA	35	Instrument Panel Wire and Cowl Side J/B LH (Cowl Side Left)
LD		
LJ	36	Floor No.2 Wire and Cowl Side J/B LH (Cowl Side Left)
LK	36	Engine Room Main Wire and Cowl Side J/B LH (Cowl Side Left)
LL		
RA	41	Instrument Panel Wire and Cowl Side J/B RH (Cowl Side Right)
RD		
RJ	42	Floor No.1 Wire and Cowl Side J/B RH (Cowl Side Right)
RK	42	Engine Room Main Wire and Cowl Side J/B RH (Cowl Side Right)
RL		

Navigation, Parking Assist (Rear View Monitor) and Audio System

: Connector Joining Wire Harness and Wire Harness

Code	See Page	Joining Wire Harness and Wire Harness (Connector Location)
AE1	68 (2GR-FSE)	Engine Room Main Wire and Engine Wire (Inside of the ECU Box)
	69 (4GR-FSE)	
AP1	70	Engine Room Main Wire and Floor No.1 Wire (Upper the Cowl Side Panel RH)
AQ1	70	Engine Room Main Wire and Floor No.2 Wire (Upper the Cowl Side Panel LH)
JA3	70	Instrument Panel Wire and Engine Room Main Wire (Left Kick Panel)
JA4	70	Instrument Panel Wire and Engine Room Main Wire (Right Kick Panel)
JK1	70	Instrument Panel Wire and Instrument Panel No.2 Wire (Instrument panel Center)
JP1	70	Instrument Panel Wire and Floor No.1 Wire (Under the Console Box)
JP2	70	Instrument Panel Wire and Floor No.1 Wire (Right Kick Panel)
JQ1	70	Instrument Panel Wire and Floor No.2 Wire (Left Kick Panel)
JQ3	70	Instrument Panel Wire and Floor No.2 Wire (Under the Console Box)
JR1	70	Instrument Panel Wire and Roof Wire (Front Pillar LH)
LP2	70	Front Door RH Wire and Floor No.1 Wire (Cowl Side Panel RH)
MQ1	70	Front Door LH Wire and Floor No.2 Wire (Cowl Side Panel LH)
MQ2		
NP1	71	Rear Door No.1 Wire and Floor No.1 Wire (Center Pillar RH)
OQ1	71	Rear Door No.2 Wire and Floor No.2 Wire (Center Pillar LH)
PQ1	71	Floor No.1 Wire and Floor No.2 Wire (Right Side of the Rear Floor Partition Panel)
PQ2		
st1	70	Amplifier No.1 Wire and Amplifier No.2 Wire (Under the Console Box)

: Ground Points

Code	See Page	Ground Points Location
E1	68 (2GR-FSE)	Rear Side of the Left Cylinder Head
	69 (4GR-FSE)	
J1	70	Left Kick Panel
J2	70	Left Side of the Shift Lever
J3	70	Right Side of the Shift Lever
J4	70	Right Kick Panel
P3	71	Roof Side Inner Rear Panel RH

