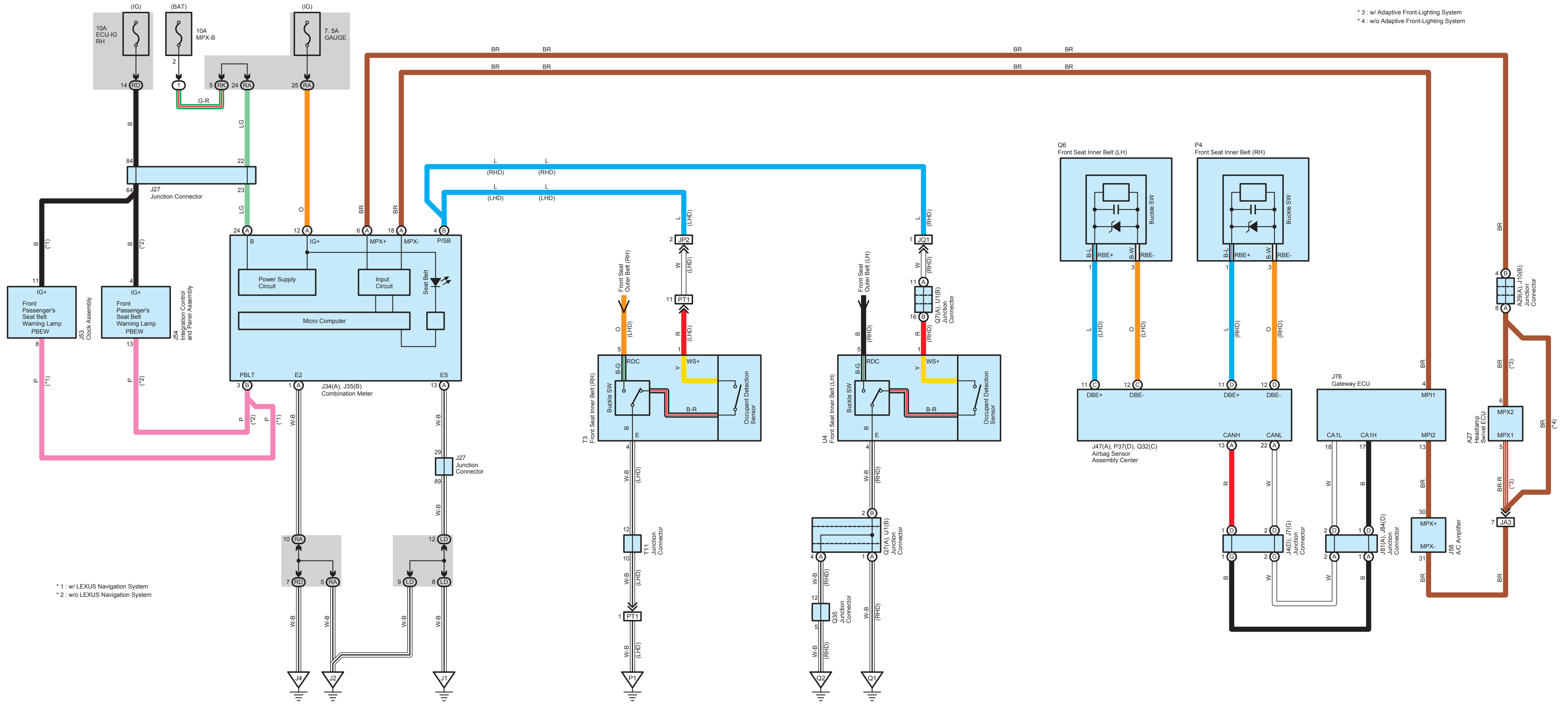


* 3 : w/ Adaptive Front-Lighting System
 * 4 : w/o Adaptive Front-Lighting System



* 1 : w/ LEXUS Navigation System
 * 2 : w/o LEXUS Navigation System