

INSTALLATION

1. INSTALL REAR SPOILER SUB-ASSEMBLY

HINT:

When installing the spoiler, heat the vehicle body and spoiler using a heat light.

Heating Temperature

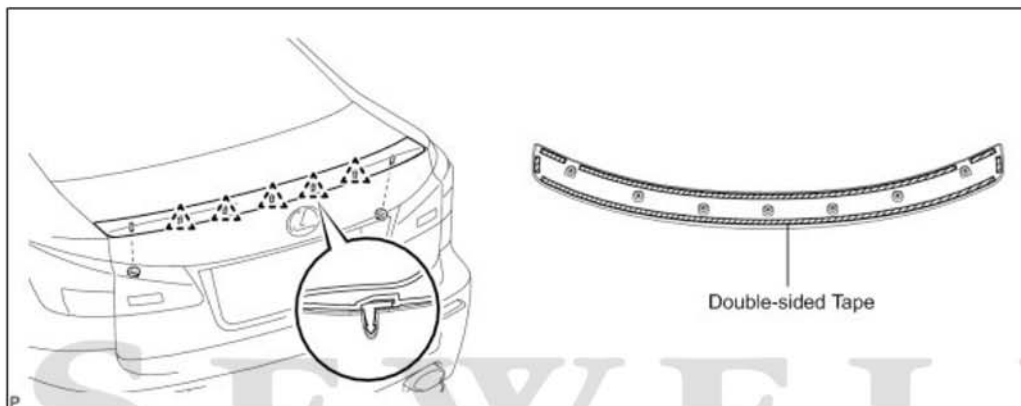
ITEM	TEMPERATURE
Vehicle Body	40 to 60°C (104 to 140°F)
Spoiler	20 to 30°C (68 to 86°F)

- (a) Clean the vehicle body surface.
 - (1) Using a heat light, heat the vehicle body surface.
 - (2) Remove the double-sided tape from the vehicle body.
 - (3) Wipe off any tape adhesive residue with cleaner.
- (b) Clean the spoiler (if reusing the spoiler)
 - (1) Using a heat light, heat the spoiler.
 - (2) Remove the double-sided tape from the spoiler.
 - (3) Wipe off any tape adhesive residue with cleaner.
 - (4) Apply new double-sided tape to the spoiler.
- (c) Install the spoiler.
 - (1) Using a heat light, heat the vehicle body and spoiler.
 - (2) Remove the peeling paper from the face of the spoiler.

HINT:

After removing the peeling paper, keep the exposed adhesive free from foreign matter.

- (3) Engage the 5 clips and install the rear spoiler sub-assembly.



- (d) Install the 2 nuts.

2. INSTALL LUGGAGE COMPARTMENT DOOR COVER



3. INSTALL LUGGAGE COMPARTMENT DOOR INSIDE HANDLE



4. INSTALL LUGGAGE LOCK CONTROL CABLE PLATE



5. INSTALL LUGGAGE COMPARTMENT DOOR ASSIST GRIP

