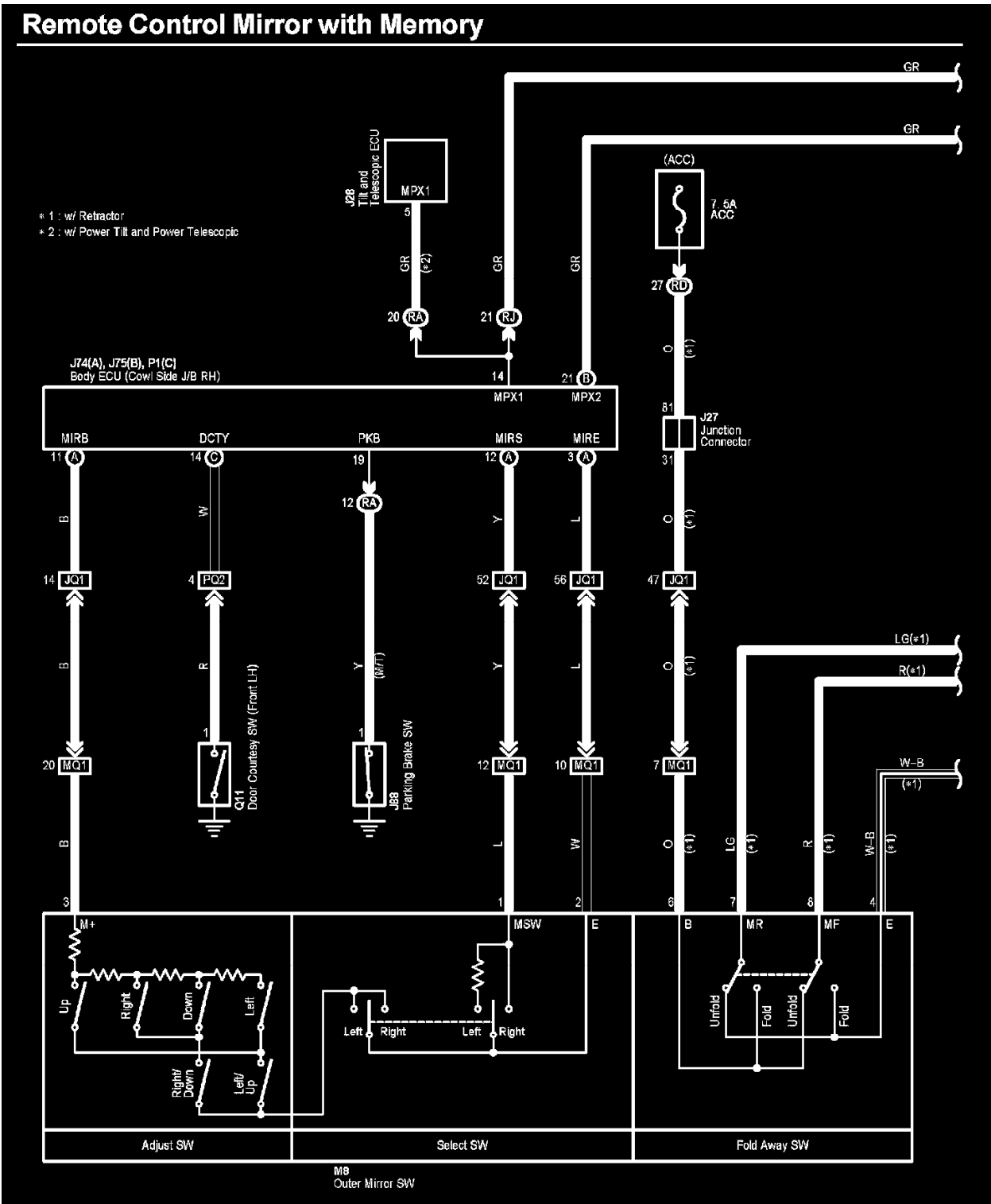
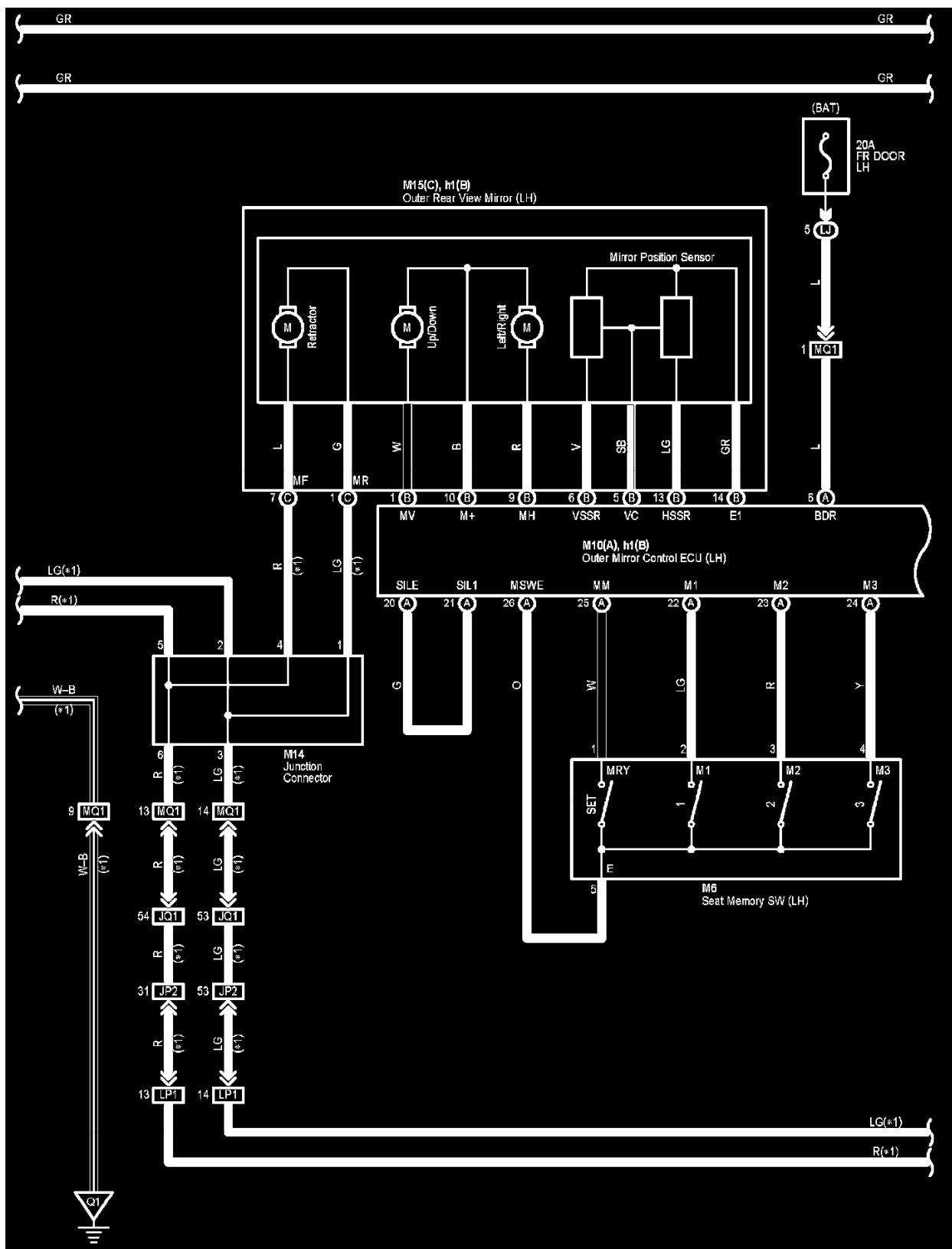


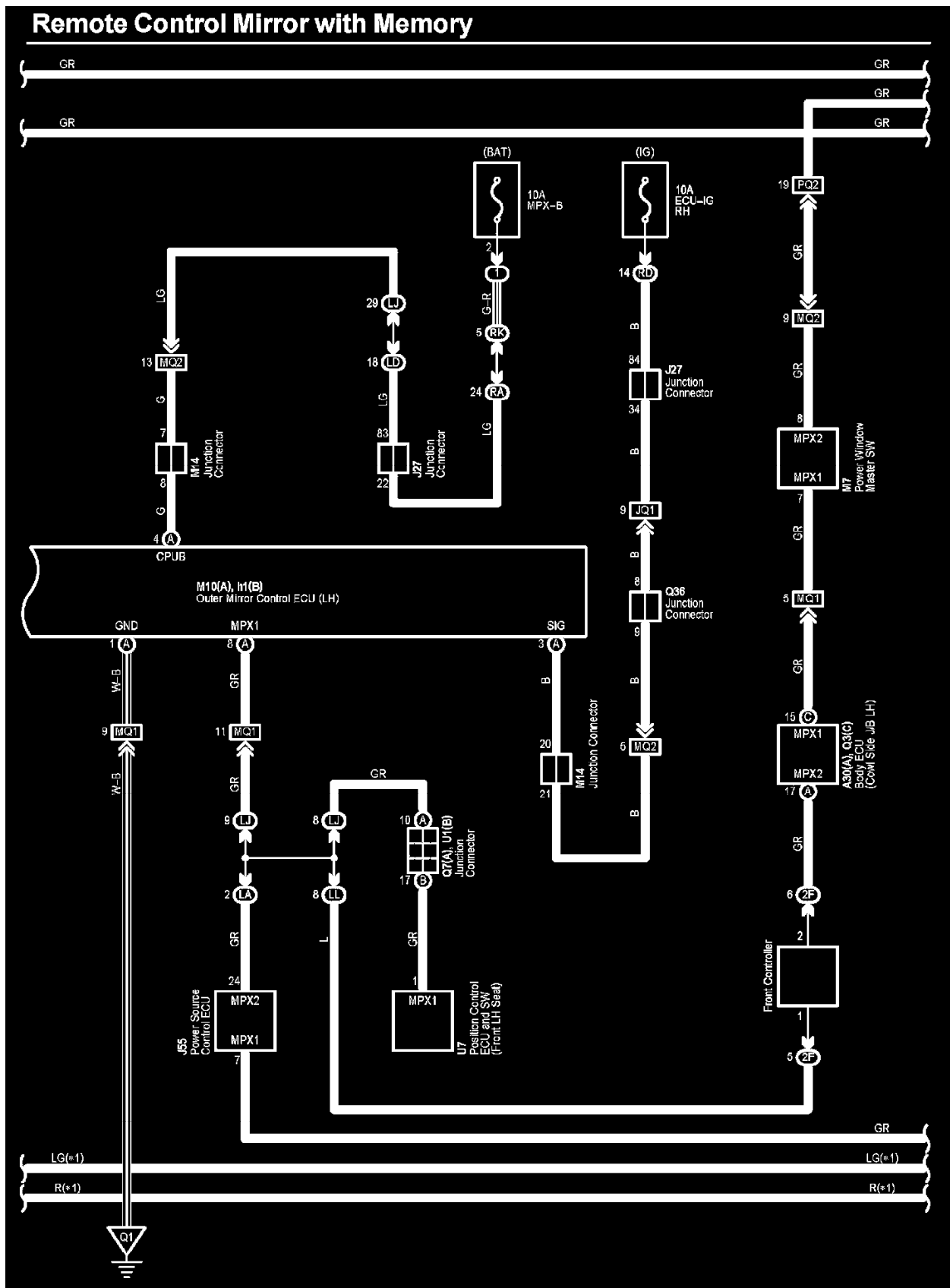
# Vehicle: Electrical Diagrams Remote Control Mirror With Memory



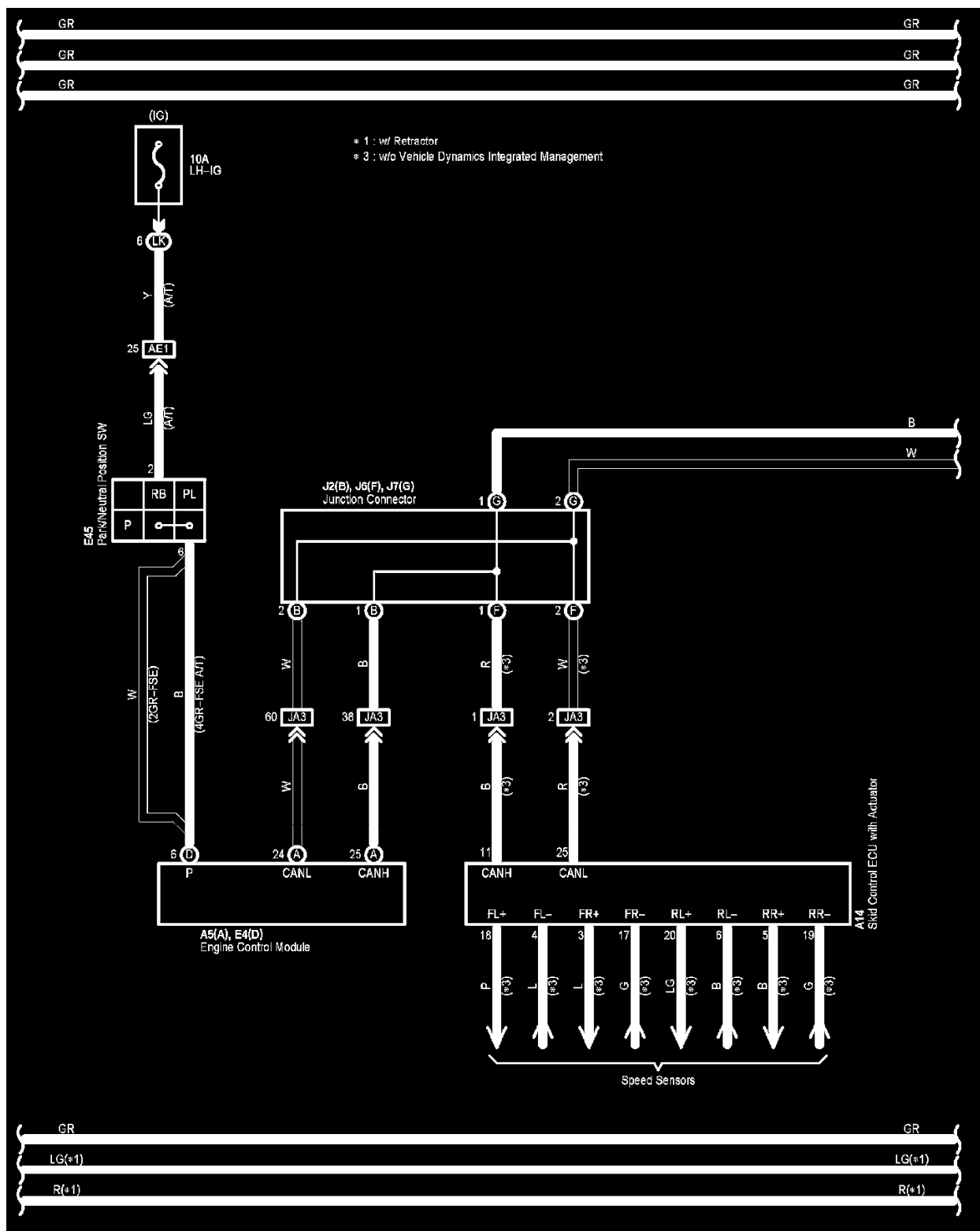
Remote Control Mirror With Memory (Part 1)



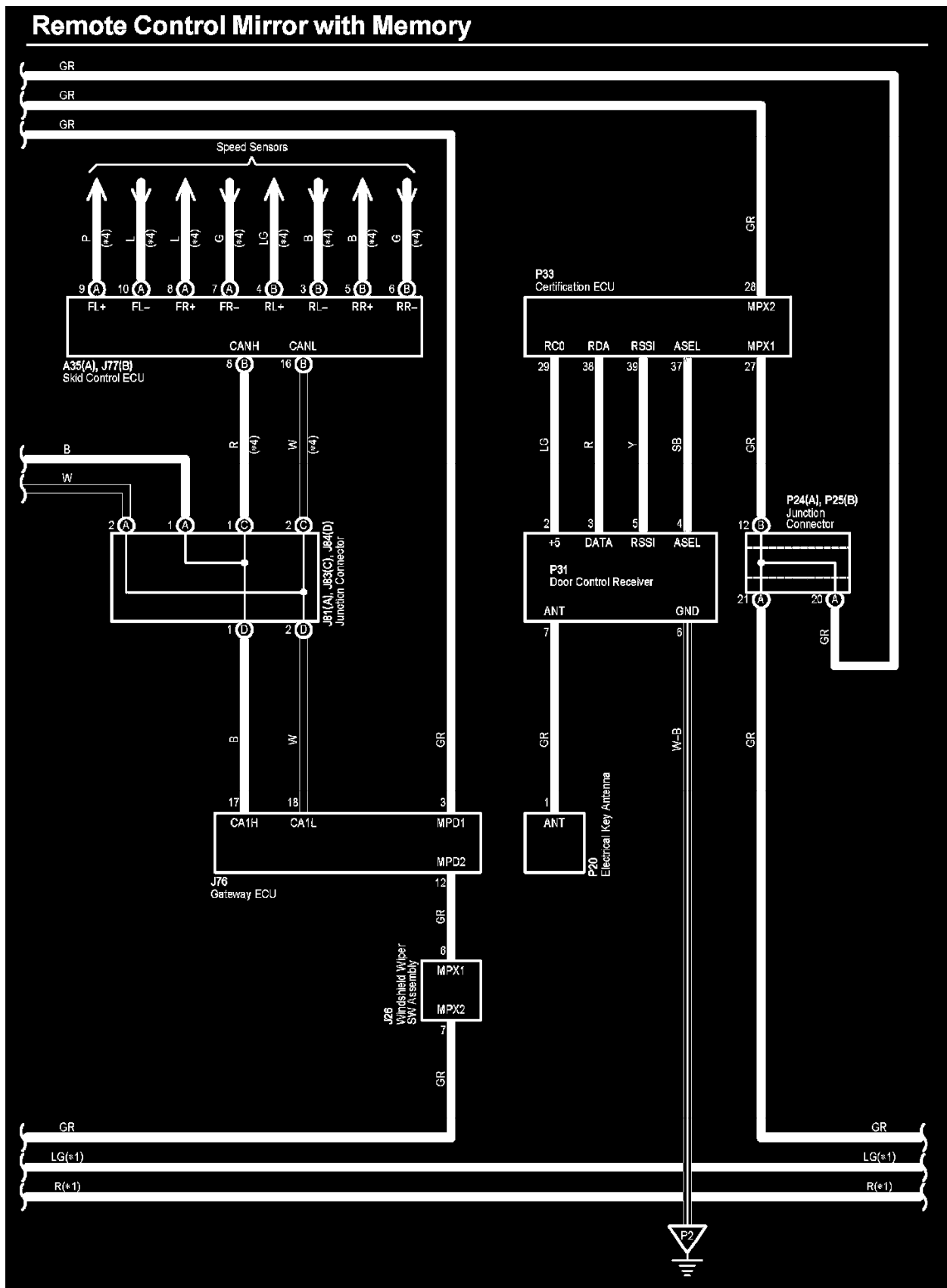
Remote Control Mirror With Memory (Part 2)



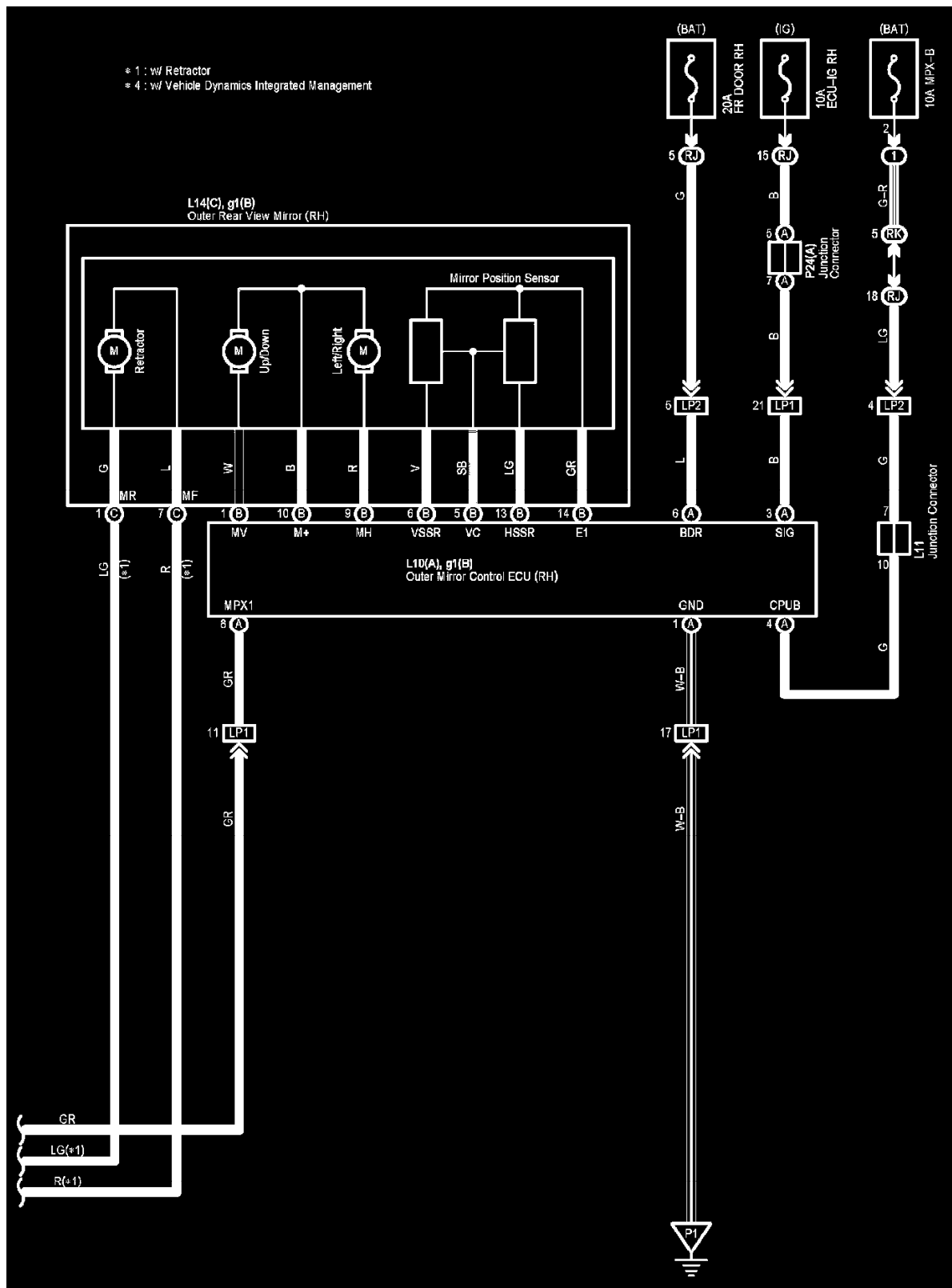
Remote Control Mirror With Memory (Part 3)



Remote Control Mirror With Memory (Part 4)



Remote Control Mirror With Memory (Part 5)



Remote Control Mirror With Memory (Part 6)

○ : Relay Blocks	
Code	Relay Blocks (Relay Block Location)
1	Engine Room R/B No.1 (Near the Battery)

⊙ : Junction Block and Wire Harness Connector	
Code	Junction Block and Wire Harness (Connector Location)
2F	Engine Room Main Wire and Engine Room J/B No.2 (Engine Compartment Left)
LA	Instrument Panel Wire and Cowl Side J/B LH (Cowl Side Left)
LD	
LJ	Floor No.2 Wire and Cowl Side J/B LH (Cowl Side Left)
LK	Engine Room Main Wire and Cowl Side J/B LH (Cowl Side Left)
LL	
RA	Instrument Panel Wire and Cowl Side J/B RH (Cowl Side Right)
RD	
RJ	Floor No.1 Wire and Cowl Side J/B RH (Cowl Side Right)
RK	Engine Room Main Wire and Cowl Side J/B RH (Cowl Side Right)

□ : Connector Joining Wire Harness and Wire Harness	
Code	Joining Wire Harness and Wire Harness (Connector Location)
AE1	Engine Room Main Wire and Engine Wire (Inside of the ECU Box)
JA3	Instrument Panel Wire and Engine Room Main Wire (Left Kick Panel)
JP2	Instrument Panel Wire and Floor No.1 Wire (Right Kick Panel)
JQ1	Instrument Panel Wire and Floor No.2 Wire (Left Kick Panel)
LP1	Front Door RH Wire and Floor No.1 Wire (Cowl Side Panel RH)
LP2	
MQ1	Front Door LH Wire and Floor No.2 Wire (Cowl Side Panel LH)
MQ2	
PQ2	Floor No.1 Wire and Floor No.2 Wire (Right Side of the Rear Floor Partition Panel)

▽ : Ground Points	
Code	Ground Points Location
P1	Right Side of the Front Crossmember
P2	Right Side of the Upper Back Panel
Q1	Left Side of the Front Crossmember

### Diagram Legend

**Locations:** The locations of components, connectors, ground points, and splices referred to within these diagrams can be found at Vehicle Locations. See: Locations

**Connector Views:** The connector views for connectors referred to within these diagrams can be found at Vehicle level Connector Views. See: Connector Views