



**Technical Service
Information Bulletin**

February 16, 2007

Title: **GR-FSE SERIES ENGINE OIL LEAK**

Models: **'06 GS 300, IS 250, & IS 350**

**ENGINE
EG001-07**

Introduction Some 2006 model year GS 300, IS 250, and IS 350 vehicles may display evidence of a small oil leak, located on the timing cover and/or the Camshaft Housing Sub-assembly. Please use the repair procedure below to address customer concerns.

- Applicable Vehicles**
- **2006** model year **GS 300, IS 250,** and **IS 350** vehicles produced **BEFORE** the Production Change Effective VINs shown below.

**Production
Change
Information**

MODEL	TYPE	ENGINE	PLANT	PRODUCTION CHANGE EFFECTIVE VIN
GS 300	2WD	3GR-FSE	Tahara	JTHBH96S*65039523
	AWD			JTHCH96S*60018925
IS 250	2WD	4GR-FSE		JTHBK262*65017559
	AWD			JTHCK262*65005842
	2WD		Kyusyu	JTHBK262*62014511
	AWD		JTHCK262*62005824	
IS 350	2WD	2GR-FSE	Tahara	JTHBE262*65007914
			Kyusyu	JTHBE262*62004615

**Required
Tools &
Material**

TOOLS & MATERIAL	QUANTITY
Three Bond 1324 or Equivalent	As Needed
FIPG Sealant: P/N 08826-00080 or Equivalent	As Needed
ILSAC GF-4 Multi-grade SAE 5W-30	6.7 U.S. qts (2WD) 6.8 U.S. qts (4WD)

**Warranty
Information**

OP CODE	DESCRIPTION	TIME	OFF	T1	T2
EG5046	Reseal Front Timing Cover with FIPG, and R & R RH and LH Camshaft Housing Sub-assembly	18.0	11103-31010 11104-31020 11104-31030	65	48

Applicable Warranty*:

This repair is covered under the Lexus Powertrain Warranty. This warranty is in effect for 72 months or 70,000 miles, whichever occurs first, from the vehicle's in-service date.

* Warranty application is limited to correction of a problem based upon a customer's specific complaint.

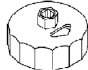
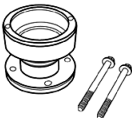





Parts
Information

MODEL	PREVIOUS PART NUMBER	CURRENT PART NUMBER	PART NAME	QTY
GS 300, IS 250, IS 350	11103-31010	11103-31011	Housing Sub-assembly, Camshaft, RH	1
GS 300, IS 250	11104-31020	11104-31021	Housing Sub-assembly, Camshaft, LH	1
IS 350	11104-31030	11104-31031		1
GS 300, IS 250, IS 350	91551-80625	90105-06323	Bolt, Flange	17
	91551-80835	90105-08456		4
GS 300, IS 250, IS 350	91671-80616	90119-06980*	Bolt, w/Washer (for Fuel Pipe No. 1)	2
GS 300	04111-31290	Same	Gasket Kit, Engine Overhaul	1
IS 250	04111-31530	Same		1
IS 350	04111-31600	Same		1

* New bolts are used for the perforated screw hole on the camshaft housing.

Required
SSTs

ITEM NO.	SPECIAL SERVICE TOOLS (SSTs)	PART NUMBER	QTY	DRW**
1	Oil Filter Wrench* 	09228-06500-02	1	1
2	Crankshaft Pulley Holding Tool* 	09213-70011-01	1	5
3	Companion Flange Holding Tool* NOTE: • All components from this kit/set are required. 	09330-00021	1	3
4	Universal Puller Set "C"* NOTE: • All components from this kit/set are required. 	09950-50013-02	1	24
5	Gasket Seal Cutter* 	09032-00100	1	1

* Essential SSTs.

** Drawer number in SST Storage System.

NOTE:

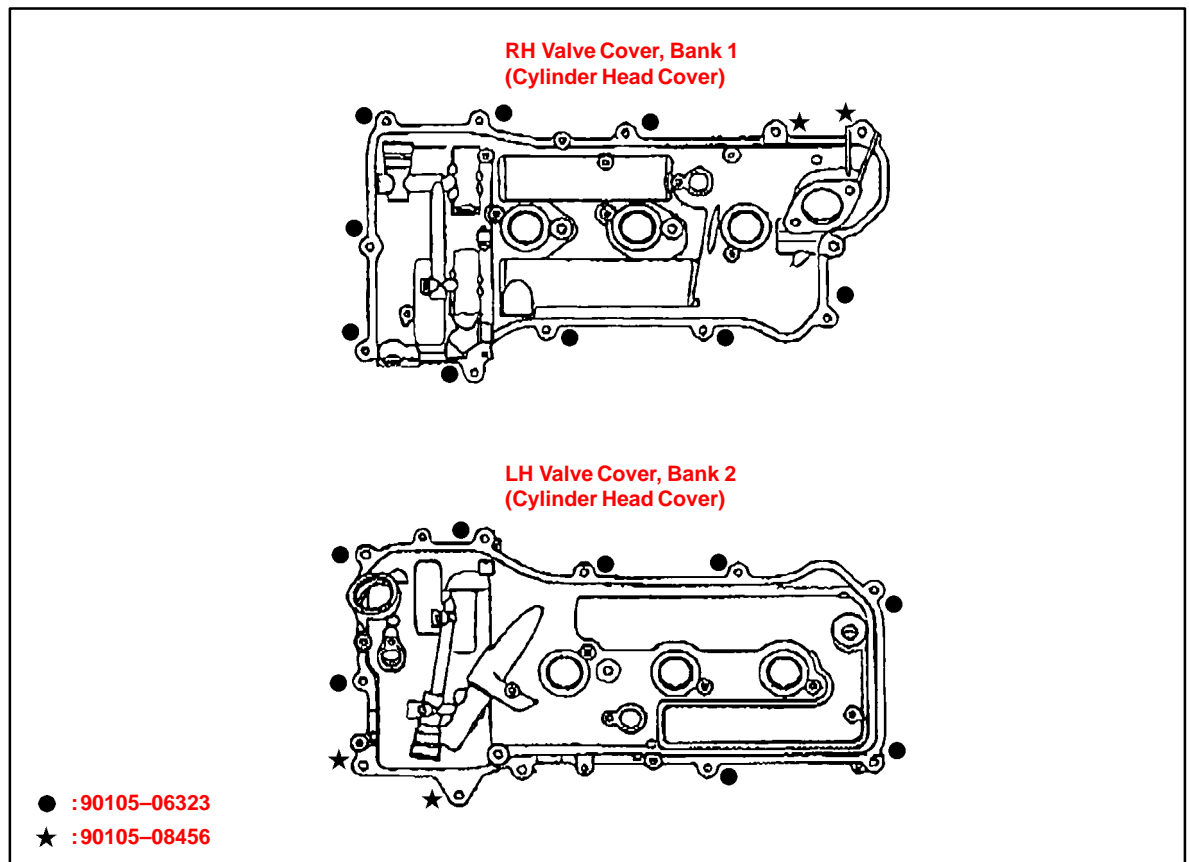
Additional SSTs may be ordered by calling SPX/OTC at 1-800-933-8335.

**Repair
Procedure**

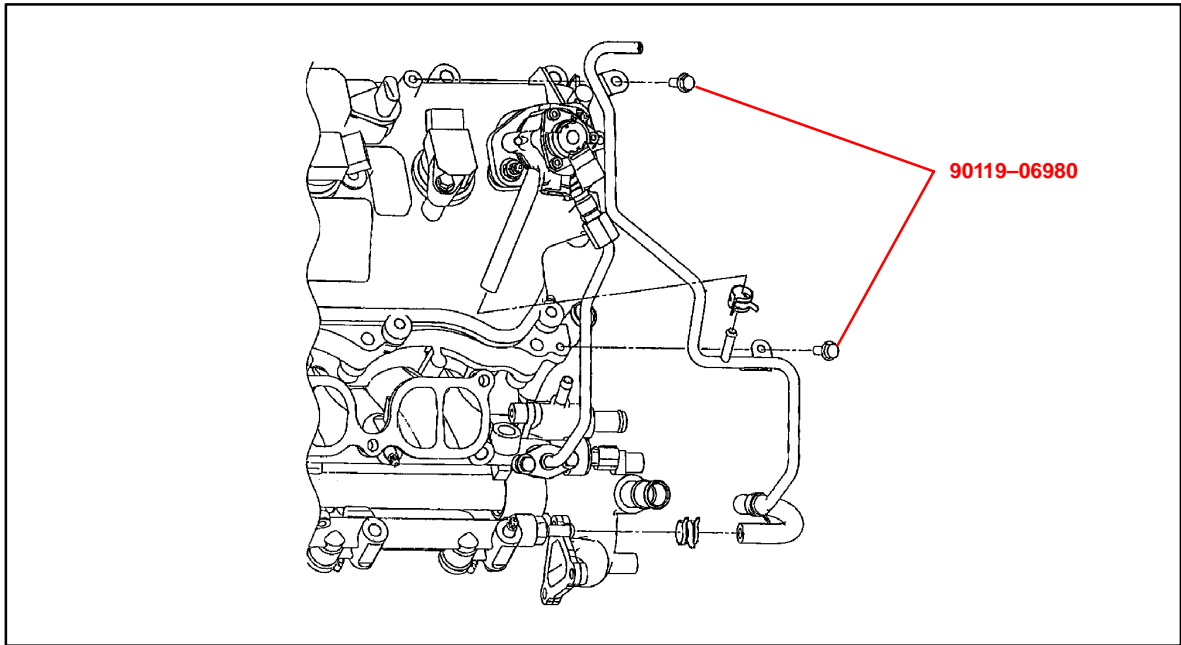
1. Remove the engine assembly.
Refer to the Technical Information System (TIS), 2006 model year GS 300, IS 250, or IS 350 Repair Manual, *Engine/Hybrid System – Engine Mechanical – “3GR/4GR/2GR-FSE (applicable engine) Engine Mechanical: Engine Assembly: Removal”*.
2. Disassemble the engine to remove the timing cover and **replace the RH and LH Camshaft Housing Sub-assemblies.**
Refer to TIS, 2006 model year GS 300, IS 250, or IS 350 Repair Manual, *Engine/Hybrid System – Engine Mechanical – “3GR/4GR/2GR-FSE (applicable engine) Engine Mechanical: Engine Unit: Disassembly”* (steps 1–57 only).
3. Reassemble the engine.
Refer to TIS, 2006 model year GS 300, IS 250, or IS 350 Repair Manual, *Engine/Hybrid System – Engine Mechanical – “3GR/4GR/2GR-FSE (applicable engine) Engine Mechanical: Engine Unit: Reassembly”* (steps 30–75 only).

NOTE:

Refer to the illustrations below for the new valve cover bolt orientations.



**Repair
Procedure**
(Continued)



4. Reinstall the engine assembly.

Refer to TIS, 2006 model year GS 300, IS 250, or IS 350 Repair Manual, *Engine/Hybrid System – Engine Mechanical – “3GR/4GR/2GR-FSE (applicable engine) Engine Mechanical: Engine Assembly: Installation”*.