



Technical Service Information Bulletin

December 21, 2007

Title: HVAC EVAPORATOR DRAIN BLOCKAGE

Models: '06 GS 300, '06 - '07 GS 430 & IS 250/350, & '07 GS 350/450h

HEATING & AIR CONDITIONING
AC003-07

Introduction Some customers may experience water on the front or rear carpets of the vehicle due to the HVAC evaporator drain becoming blocked by debris. An improved HVAC evaporator drain and packing have been made available as separate serviceable parts. Use the following repair procedure to correct this concern.

Applicable Vehicles

- **2006** model year **Tahara-produced GS 300** vehicles.
- **2006 - 2007** model year **GS 430** and **IS 250/350** vehicles produced **BEFORE** the Production Change Effective VINs shown below.
- **2007** model year **GS 350/450h** vehicles produced **BEFORE** the Production Change Effective VIN shown below.

Production Change Information

MODEL	PLANT	DRIVETRAIN	PRODUCTION CHANGE EFFECTIVE VIN	
GS 350	Tahara	2WD	JTHBE96S*70021100	
		AWD	JTHCE96S*70008761	
GS 430		2WD	JTHBN96S*75017507	
GS 450h		2WD	JTHBC96S*75010139	
IS 250		2WD	JTHBK262*75042230	
		AWD	JTHCK2*275013384	
		TMK	2WD	JTHBK262*72048694
			AWD	JTHCK2*2*72017368
IS 350	Tahara	All	JTHBE262*75015870	
	TMK		JTHBE262*72011435	

Warranty Information

OP CODE	DESCRIPTION	TIME	OFF	T1	T2
AC7011	R & R Heater Assembly	4.3	87050-301##	66	88
Combo A	R & R HVAC Evaporator Drain & Packing	0.1			

Applicable Warranty*:

This repair is covered under the Lexus Comprehensive Warranty. This warranty is in effect for 48 months or 60,000 miles, whichever occurs first, from the vehicle's in-service date.

* Warranty application is limited to correction of a problem based upon a customer's specific complaint.

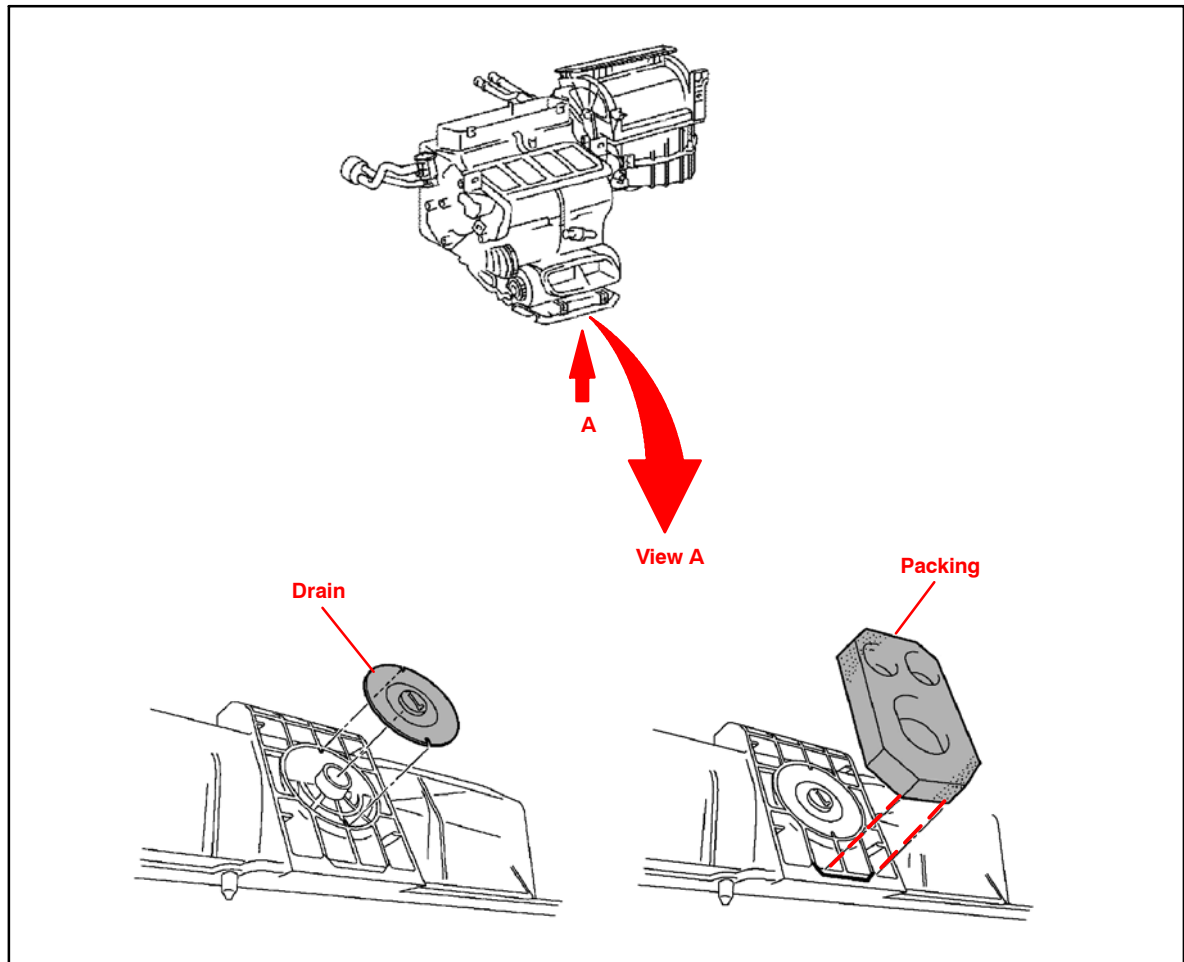


Parts Information

PREVIOUS PART NUMBER	CURRENT PART NUMBER	PART NAME	QTY
N/A	88578-30870	Packing Cooler, No. 1	1
N/A	87128-30050	Grommet, Heater	1

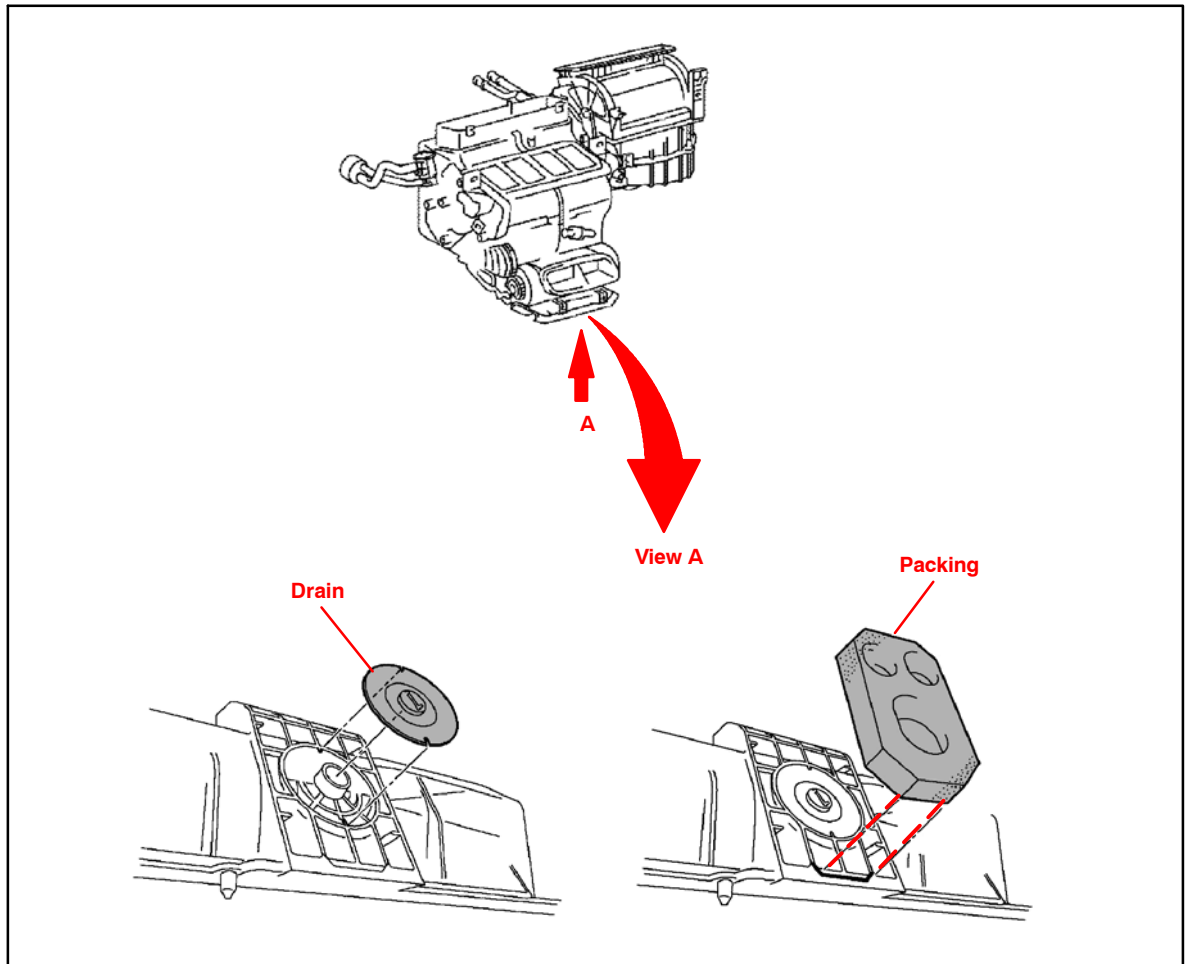
Repair Procedure

1. Remove the air conditioning unit.
Refer to the Technical Information System (TIS), applicable model year and model Repair Manual, *Vehicle Interior - Heating/Air Conditioning - "Air Conditioning: Air Conditioning Unit: Removal"*.
2. Remove the HVAC evaporator drain and packing.



**Repair
Procedure**
(Continued)

3. Install the NEW HVAC evaporator drain and packing to the air conditioning unit.



4. Install the air conditioning unit.

Refer to TIS, applicable model year and model Repair Manual, *Vehicle Interior - Heating/Air Conditioning* - "Air Conditioning: Air Conditioning Unit: Installation".