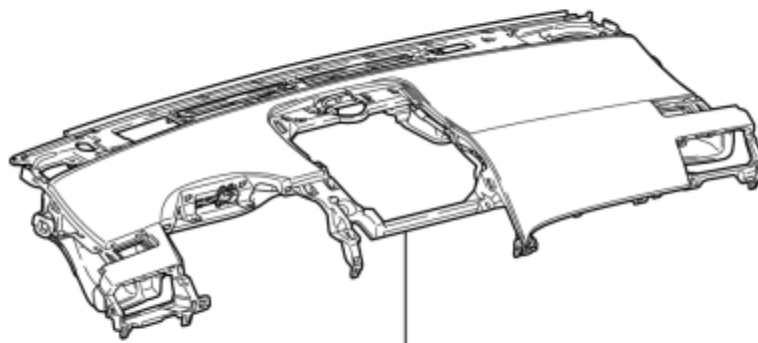


Last Modified: 5-25-2010	6.4 K	From: 200907
Model Year: 2010	Model: HS250H	Doc ID: RM00000422A002X
Title: INTERIOR PANELS / TRIM: LOWER INSTRUMENT PANEL: COMPONENTS (2010 HS250H)		

COMPONENTS

ILLUSTRATION



UPPER INSTRUMENT PANEL ASSEMBLY

P

ILLUSTRATION

for Manual Tilt and Manual Telescopic Steering Column:

UPPER STEERING COLUMN COVER



LOWER STEERING COLUMN COVER

for Power Tilt and Power Telescopic Steering Column:

w/o Driver Monitor Camera: w/ Driver Monitor Camera:



UPPER STEERING COLUMN COVER



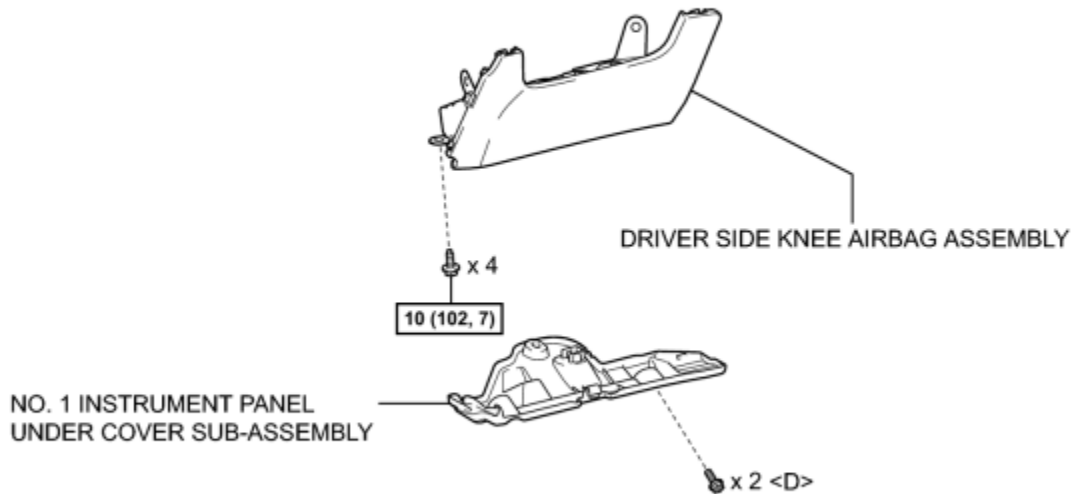
UPPER STEERING COLUMN COVER



LOWER NO. 2 STEERING COLUMN COVER

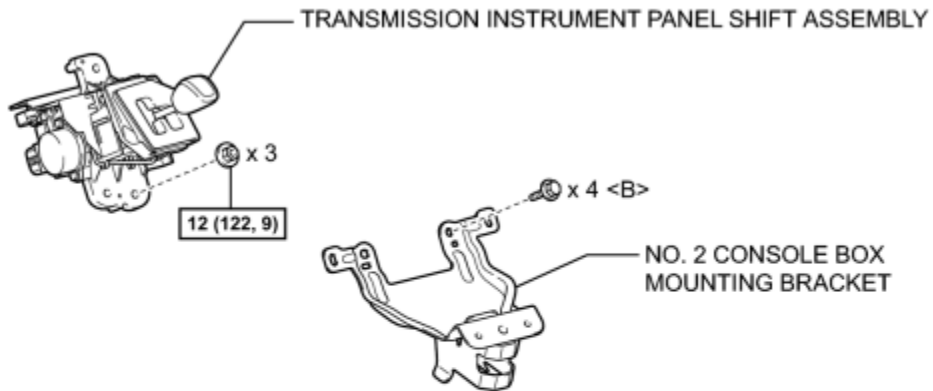


LOWER STEERING COLUMN COVER

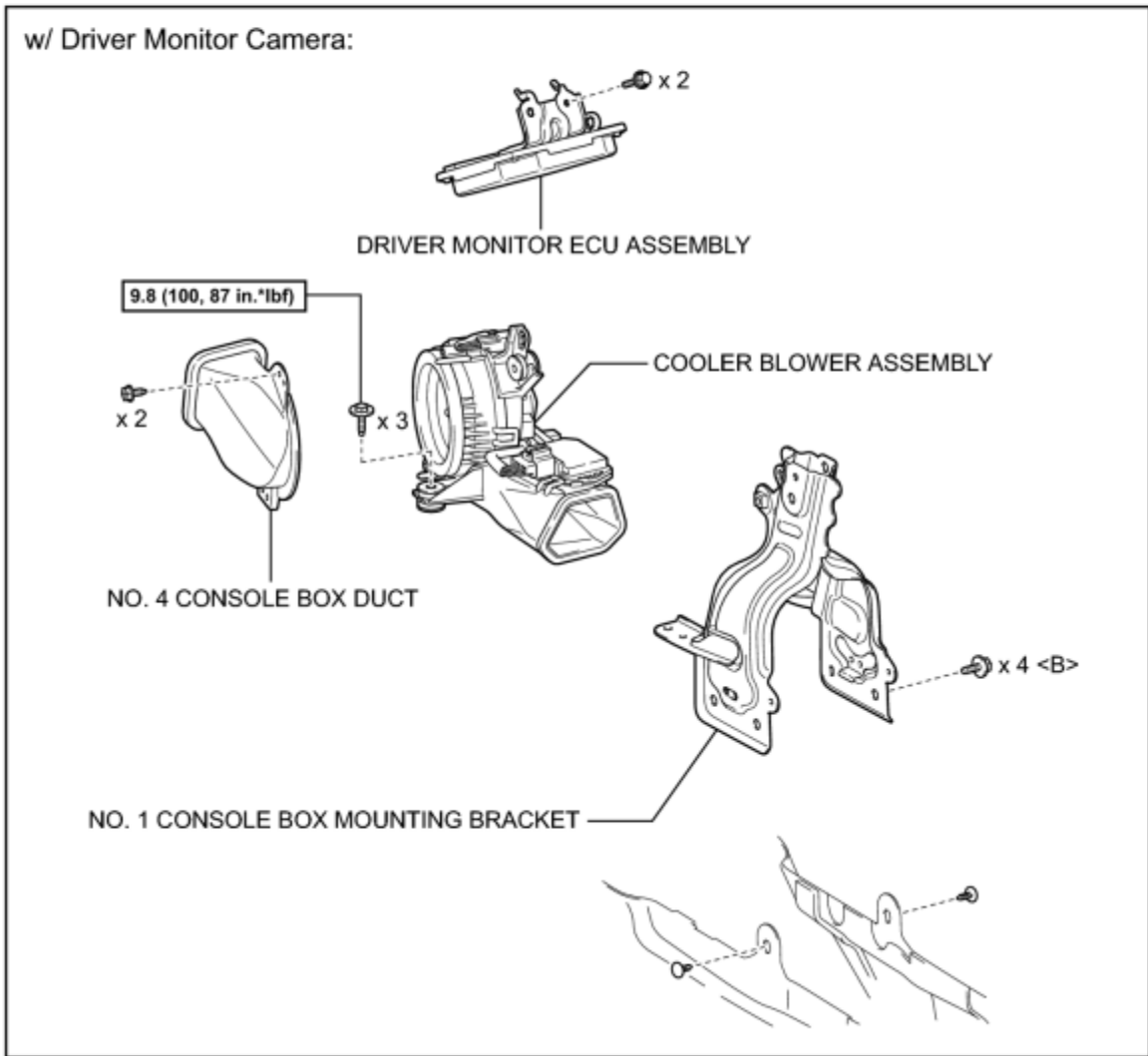


N*m (kgf*cm, ft.*lbf): Specified torque

ILLUSTRATION



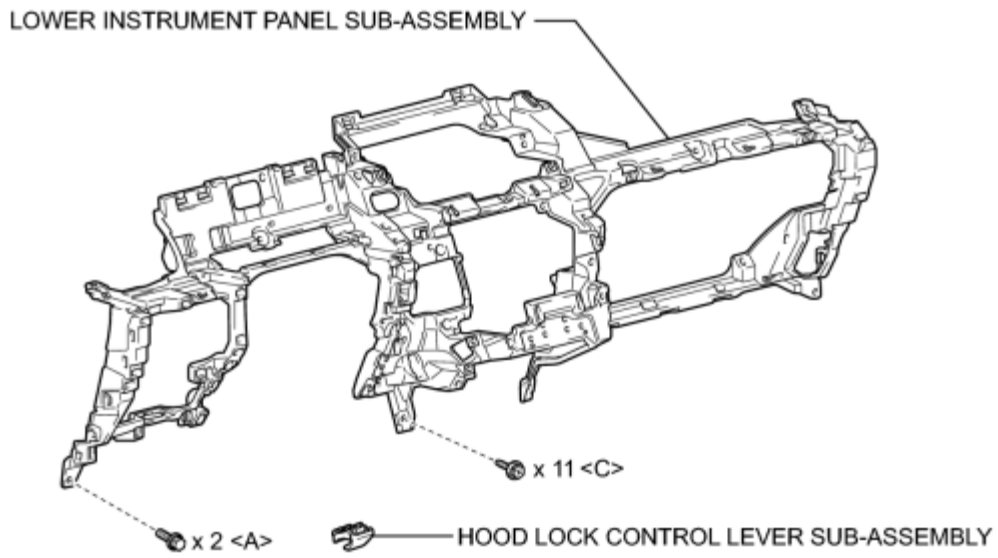
w/ Driver Monitor Camera:



N*m (kgf*cm, ft.*lbf) : Specified torque

P


ILLUSTRATION



Last Modified: 5-25-2010	6.4 L	From: 200907
Model Year: 2010	Model: HS250H	Doc ID: RM000004229002X
Title: INTERIOR PANELS / TRIM: LOWER INSTRUMENT PANEL: PRECAUTION (2010 HS250H)		

PRECAUTION

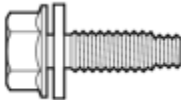
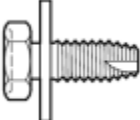
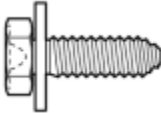

1. PRECAUTION FOR VEHICLE WITH SRS AIRBAG AND SEAT BELT PRETENSIONER

(a) Some operations in this section may affect the SRS airbags. Prior to performing the corresponding operations, read the precautions regarding the SRS airbags .

2. TABLE OF BOLT, SCREW AND NUT

HINT:

All bolts, screws and nuts relevant to installing and removing the instrument panel are shown along with their alphabet codes in the table below.

Code	Shape	Size	Code	Shape	Size
<A>		φ=6 mm (0.236 in.) Length=20 mm (0.784 in.)			φ=6 mm (0.236 in.) Length=16 mm (0.630 in.)
<C>		φ=6 mm (0.236 in.) Length=20 mm (0.784 in.)	<D>		φ=5 mm (0.197 in.) Length=14 mm (0.551 in.)

Last Modified: 5-25-2010	6.4 A	From: 200907
Model Year: 2010	Model: HS250H	Doc ID: RM00000422B002X
Title: INTERIOR PANELS / TRIM: LOWER INSTRUMENT PANEL: REMOVAL (2010 HS250H)		

REMOVAL

1. PRECAUTION

INFO

2. REMOVE UPPER INSTRUMENT PANEL ASSEMBLY

(a) Remove the upper instrument panel assembly INFO.

3. REMOVE LOWER STEERING COLUMN COVER (for Manual Tilt and Manual Telescopic Steering Column) INFO

4. REMOVE UPPER STEERING COLUMN COVER (for Manual Tilt and Manual Telescopic Steering Column) INFO

5. REMOVE LOWER NO. 2 STEERING COLUMN COVER (for Power Tilt and Power Telescopic Steering Column) INFO

6. REMOVE LOWER STEERING COLUMN COVER (for Power Tilt and Power Telescopic Steering Column) INFO

7. REMOVE UPPER STEERING COLUMN COVER (for Power Tilt and Power Telescopic Steering Column) INFO

8. REMOVE NO. 1 INSTRUMENT PANEL UNDER COVER SUB-ASSEMBLY



(a) Remove the 2 screws <D>.

(b) Disengage the claw.



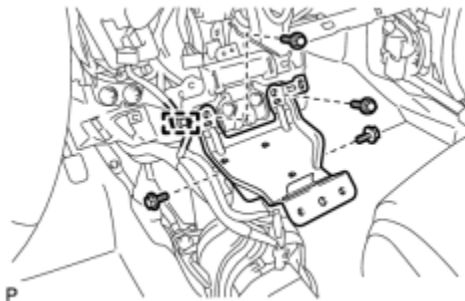
(c) Disengage the clamp.

(d) Disconnect each connector and remove the No. 1 instrument panel under cover sub-assembly.

9. REMOVE DRIVER SIDE KNEE AIRBAG ASSEMBLY_ [INFO](#)

10. REMOVE TRANSMISSION INSTRUMENT PANEL SHIFT ASSEMBLY_ [INFO](#)

11. REMOVE NO. 2 CONSOLE BOX MOUNTING BRACKET



(a) Disengage the clamp.

(b) Remove the 4 bolts and No. 2 console box mounting bracket.

12. REMOVE NO. 4 CONSOLE BOX DUCT (w/ Driver Monitor Camera)_ [INFO](#)

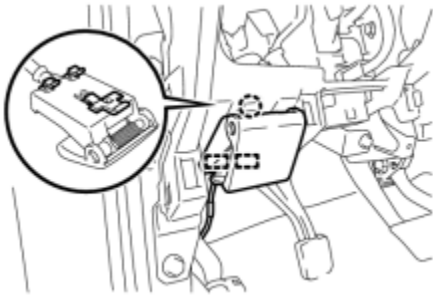
13. REMOVE NO. 1 CONSOLE BOX MOUNTING BRACKET (w/ Driver Monitor Camera)
[INFO](#)

14. REMOVE COOLER BLOWER ASSEMBLY (w/ Driver Monitor Camera)_ [INFO](#)

15. REMOVE DRIVER MONITOR ECU ASSEMBLY (w/ Driver Monitor Camera)_ [INFO](#)

16. DISCONNECT HOOD LOCK CONTROL LEVER SUB-ASSEMBLY

(a) Disengage the claw and 2 guides, and disconnect the

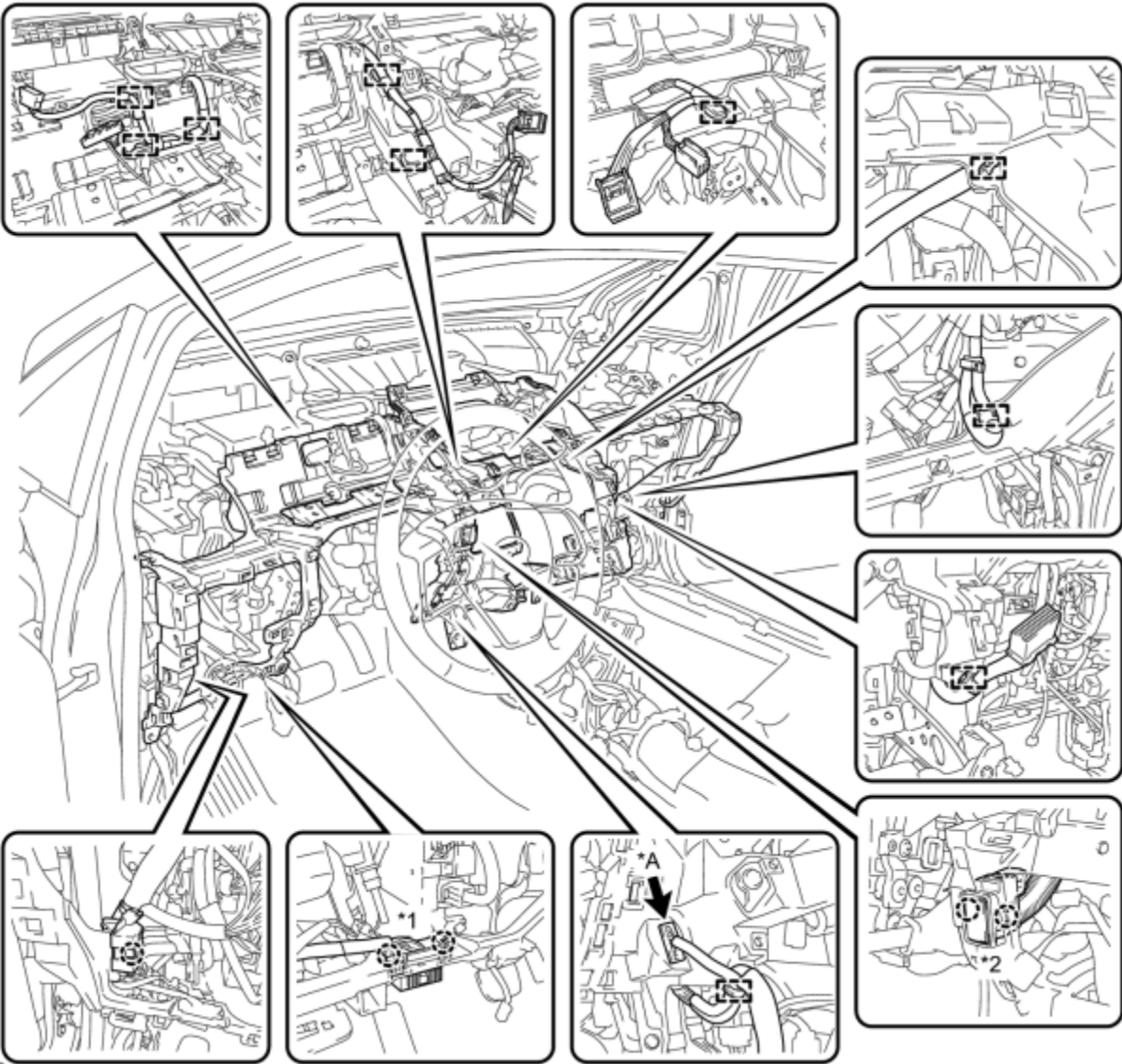


hood lock control lever sub-assembly.

P

17. REMOVE LOWER INSTRUMENT PANEL SUB-ASSEMBLY

(a) Disengage each clamp.



P

Text in Illustration

*A	w/o Driver Monitor Camera	-	-
*1	DLC3 Connector	*2	Room Temperature Sensor

(b) w/o Driver Monitor Camera:

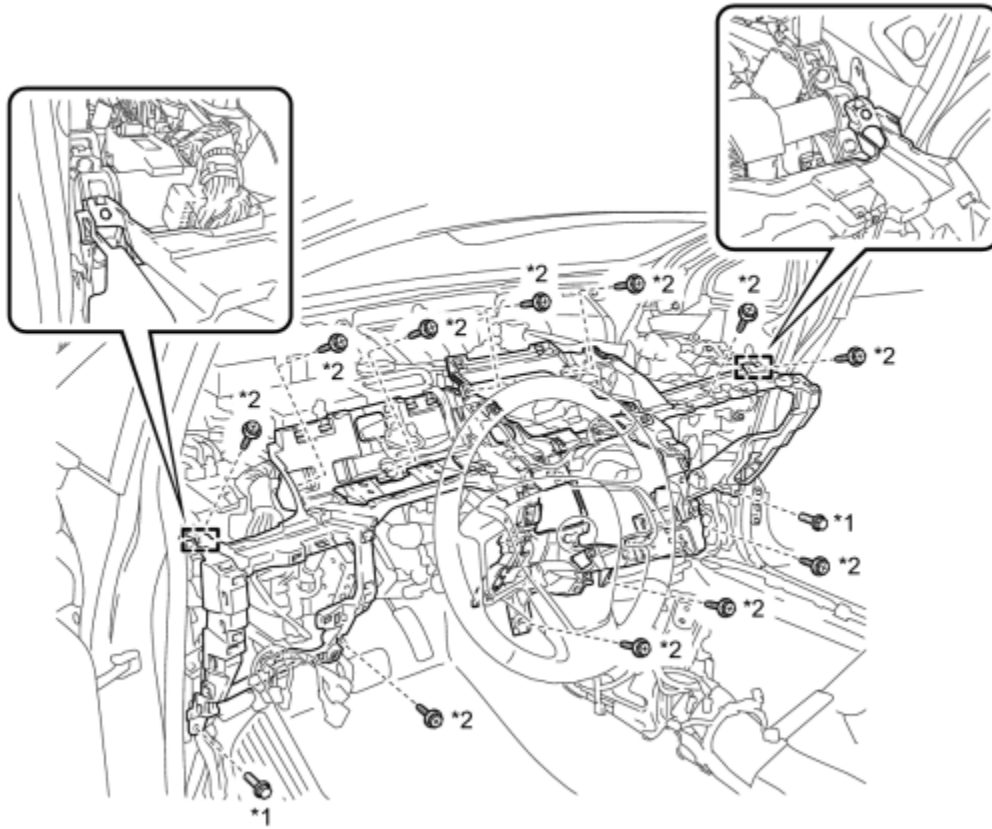
(1) Disconnect the connector.

(c) Disengage the claw to disconnect the wire harness.

(d) Disengage the 2 claws to disconnect the DLC3 connector.

(e) Disengage the 2 claws to disconnect the room temperature sensor.

(f) Remove the 2 bolts <A> and 11 bolts <C>.



P

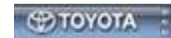
Text in Illustration

*1	Bolt <A>	*2	Bolt <C>
----	----------	----	----------

(g) Disengage the 2 guides and remove the lower instrument panel sub-assembly.

NOTICE:

Do not damage the lower instrument panel sub-assembly.



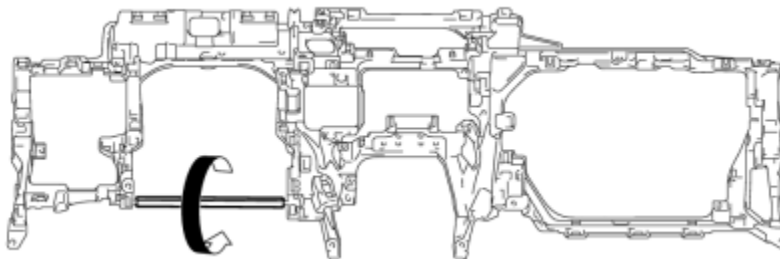
Last Modified: 5-25-2010	6.4 A	From: 200907
Model Year: 2010	Model: HS250H	Doc ID: RM000004228002X
Title: INTERIOR PANELS / TRIM: LOWER INSTRUMENT PANEL: INSTALLATION (2010 HS250H)		

INSTALLATION

1. INSTALL LOWER INSTRUMENT PANEL SUB-ASSEMBLY

(a) When using a new lower instrument panel sub-assembly:

(1) Immediately before installing the lower instrument panel sub-assembly, twist and cut off the portion shown in the illustration.



P

(b) Engage the 2 guides.

(c) Install the lower instrument panel sub-assembly with the 2 bolts <A> and 11 bolts <C>.

(d) Engage the 2 claws to connect the room temperature sensor.

(e) Engage the 2 claws to connect the DLC3 connector.

(f) Engage the claw to connect the wire harness.

(g) w/o Driver Monitor Camera:

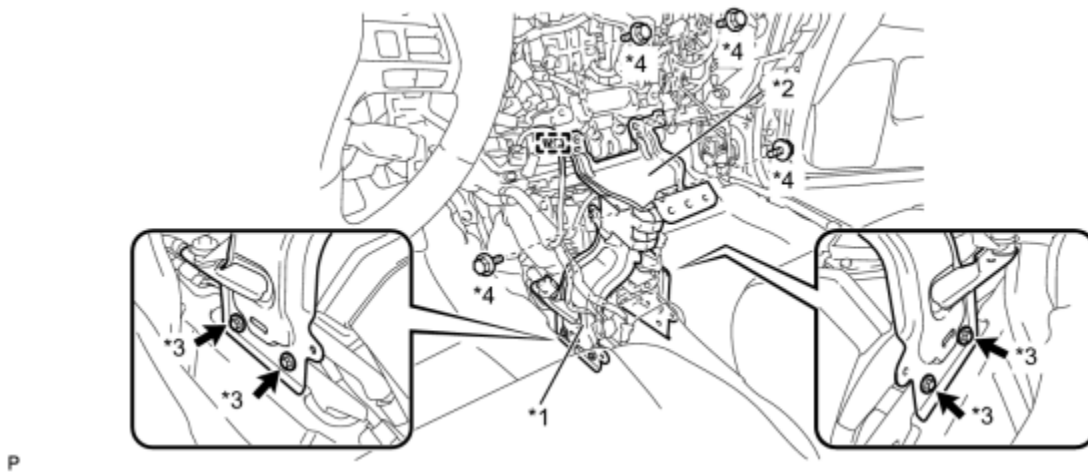
(1) Connect the connector.

(h) Engage each clamp.

2. CONNECT HOOD LOCK CONTROL LEVER SUB-ASSEMBLY

(a) Engage the 2 guides and claw to connect the hood lock control lever sub-assembly.

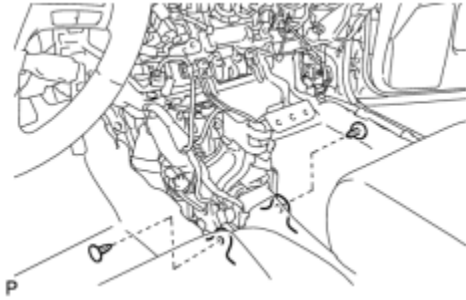
3. INSTALL DRIVER MONITOR ECU ASSEMBLY (w/ Driver Monitor Camera) INFO
 4. INSTALL COOLER BLOWER ASSEMBLY (w/ Driver Monitor Camera) INFO
 5. INSTALL NO. 4 CONSOLE BOX DUCT (w/ Driver Monitor Camera) INFO
 6. SET NO. 1 CONSOLE BOX MOUNTING BRACKET (w/ Driver Monitor Camera) INFO
 7. INSTALL NO. 2 CONSOLE BOX MOUNTING BRACKET (w/ Driver Monitor Camera)
- (a) Temporarily install the No. 2 console box mounting bracket with the 4 bolts .



Text in Illustration

*1	No. 1 Console Box Mounting Bracket	*2	No. 2 Console Box Mounting Bracket
*3	No. 1 Console Box Mounting Bracket Bolt	*4	No. 2 Console Box Mounting Bracket Bolt

- (b) Fully tighten the 4 No. 1 console box mounting bracket bolts .
- (c) Fully tighten the 4 No. 2 console box mounting bracket bolts .
- (d) Engage the clamp.
- (e) Install the 2 clips.



8. INSTALL NO. 2 CONSOLE BOX MOUNTING BRACKET (w/o Driver Monitor Camera)

(a) Install the No. 2 console box mounting bracket with the 4 bolts .

9. INSTALL TRANSMISSION INSTRUMENT PANEL SHIFT ASSEMBLY_ INFO

10. INSTALL DRIVER SIDE KNEE AIRBAG ASSEMBLY_ INFO

11. INSTALL NO. 1 INSTRUMENT PANEL UNDER COVER SUB-ASSEMBLY

(a) Connect each connector.

(b) Engage the clamp.

(c) Engage the claw.

(d) Install the No. 1 instrument panel under cover sub-assembly with the 2 screws <D>.

12. INSTALL UPPER STEERING COLUMN COVER (for Power Tilt and Power Telescopic Steering Column)_ INFO


13. INSTALL LOWER STEERING COLUMN COVER (for Power Tilt and Power Telescopic Steering Column)_ INFO

14. INSTALL LOWER NO. 2 STEERING COLUMN COVER (for Power Tilt and Power Telescopic Steering Column)_ INFO

15. INSTALL UPPER STEERING COLUMN COVER (for Manual Tilt and Manual Telescopic Steering Column)_ INFO

16. INSTALL LOWER STEERING COLUMN COVER (for Manual Tilt and Manual Telescopic Steering Column)_ INFO

17. INSTALL UPPER INSTRUMENT PANEL ASSEMBLY

(a) Install the upper instrument panel assembly  .

18. INSPECT SHIFT LEVER 

