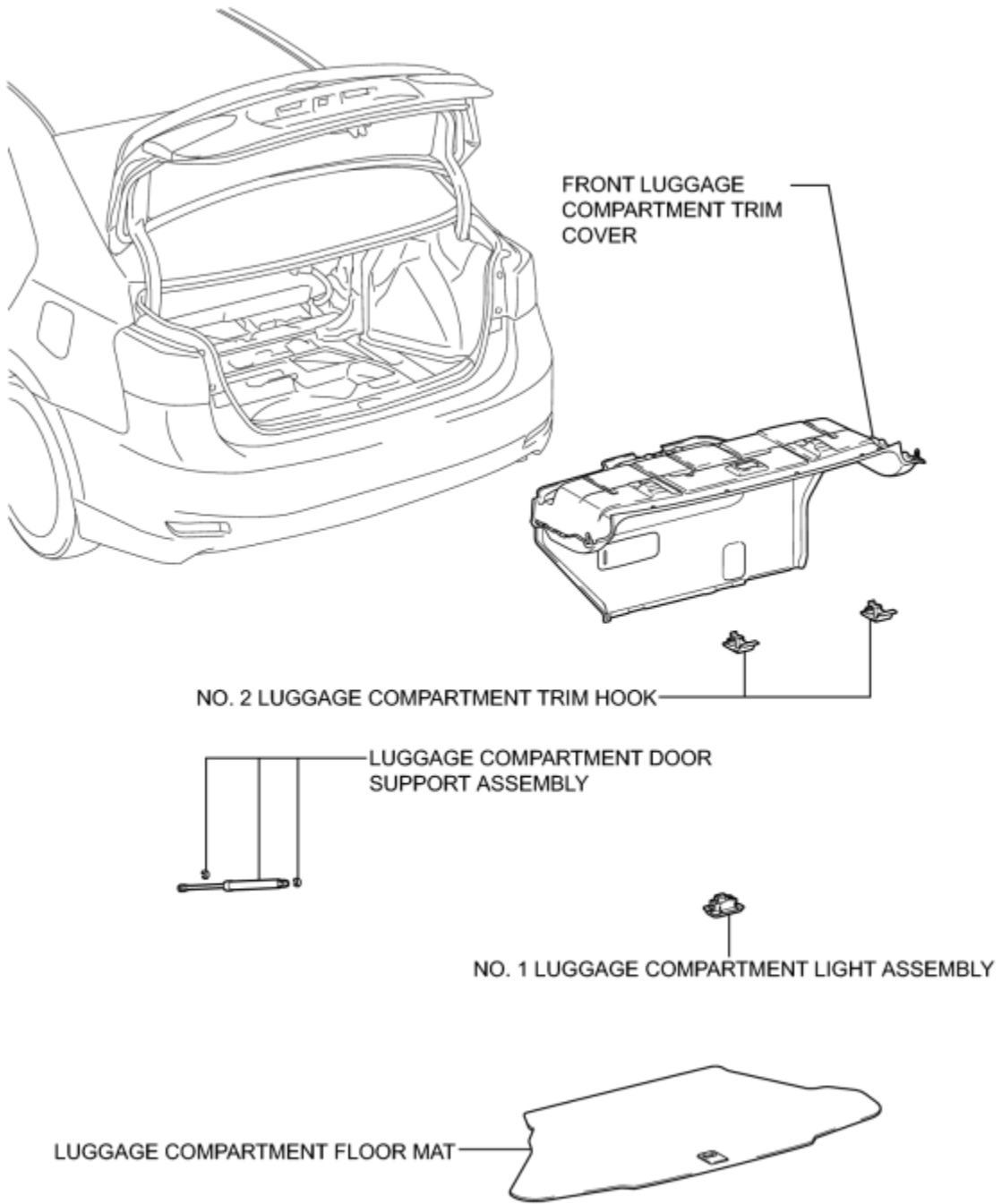


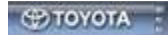
Last Modified: 5-25-2010	6.4 K	From: 200907
Model Year: 2010	Model: HS250H	Doc ID: RM0000010WL00EX
Title: DOOR / HATCH: LUGGAGE COMPARTMENT DOOR SUPPORT: COMPONENTS (2010 HS250H)		

COMPONENTS

ILLUSTRATION



P



Last Modified: 5-25-2010	6.4 A	From: 200907
Model Year: 2010	Model: HS250H	Doc ID: RM0000010WM00IX
Title: DOOR / HATCH: LUGGAGE COMPARTMENT DOOR SUPPORT: REMOVAL		

(2010 HS250H)

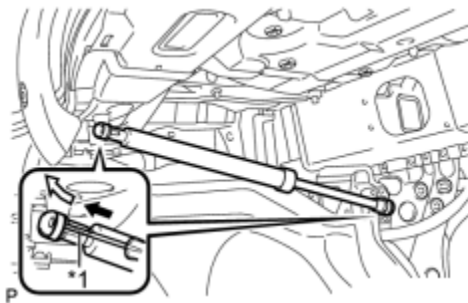
REMOVAL

1. REMOVE LUGGAGE COMPARTMENT FLOOR MAT_ [INFO](#)
2. REMOVE NO. 1 LUGGAGE COMPARTMENT LIGHT ASSEMBLY_ [INFO](#)
3. REMOVE FRONT LUGGAGE COMPARTMENT TRIM COVER_ [INFO](#)
4. REMOVE LUGGAGE COMPARTMENT DOOR SUPPORT ASSEMBLY

NOTICE:

- Avoid touching the piston rod as much as possible to prevent foreign matter from attaching to it. Be sure to hold the cylinder while servicing.
- Do not wear cotton gloves or other similar materials when handling the piston rod. Fibers may attach to the rod and result in gas leaks.
- In order to prevent the piston rod from deforming, do not apply any horizontal load to the door support.

(a) Using a screwdriver, remove the stop ring along the groove.



Text in Illustration

*1

Protective Tape

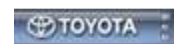
HINT:

Tape the screwdriver tip before use.

(b) Release the ball joint and remove the luggage compartment door support assembly.

NOTICE:

Remove the luggage compartment door support assembly while supporting the luggage compartment door by hand.



Last Modified: 5-25-2010	6.4 A	From: 200907
Model Year: 2010	Model: HS250H	Doc ID: RM0000010WK00HX

Title: DOOR / HATCH: LUGGAGE COMPARTMENT DOOR SUPPORT:
INSTALLATION (2010 HS250H)

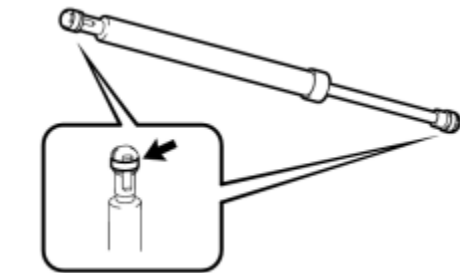
INSTALLATION

1. INSTALL LUGGAGE COMPARTMENT DOOR SUPPORT ASSEMBLY

NOTICE:

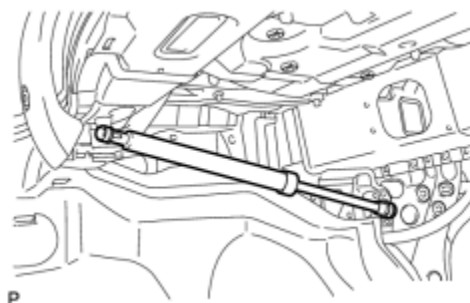
- Avoid touching the piston rod as much as possible to prevent foreign matter from attaching to it. Be sure to hold the cylinder while servicing.
- Do not wear cotton gloves or other similar materials when handling the piston rod. Fibers may attach to the rod and result in gas leaks.
- In order to prevent the piston rod from deforming, do not apply any horizontal load to the door support.

(a) When reusing the luggage compartment door support assembly:



(1) Install the 2 stop rings to the luggage compartment door support assembly.

(b) Install the luggage compartment door support assembly.



NOTICE:

- Install the luggage compartment door support assembly while supporting the luggage compartment door by hand.
- Check that the luggage compartment door support assembly is engaged in the ball joint and that the luggage compartment door support assembly cannot be pulled out.

2. INSTALL FRONT LUGGAGE COMPARTMENT TRIM COVER [INFO](#)

3. INSTALL NO. 1 LUGGAGE COMPARTMENT LIGHT ASSEMBLY [INFO](#)

4. INSTALL LUGGAGE COMPARTMENT FLOOR MAT_ [INFO](#)

