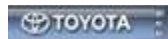
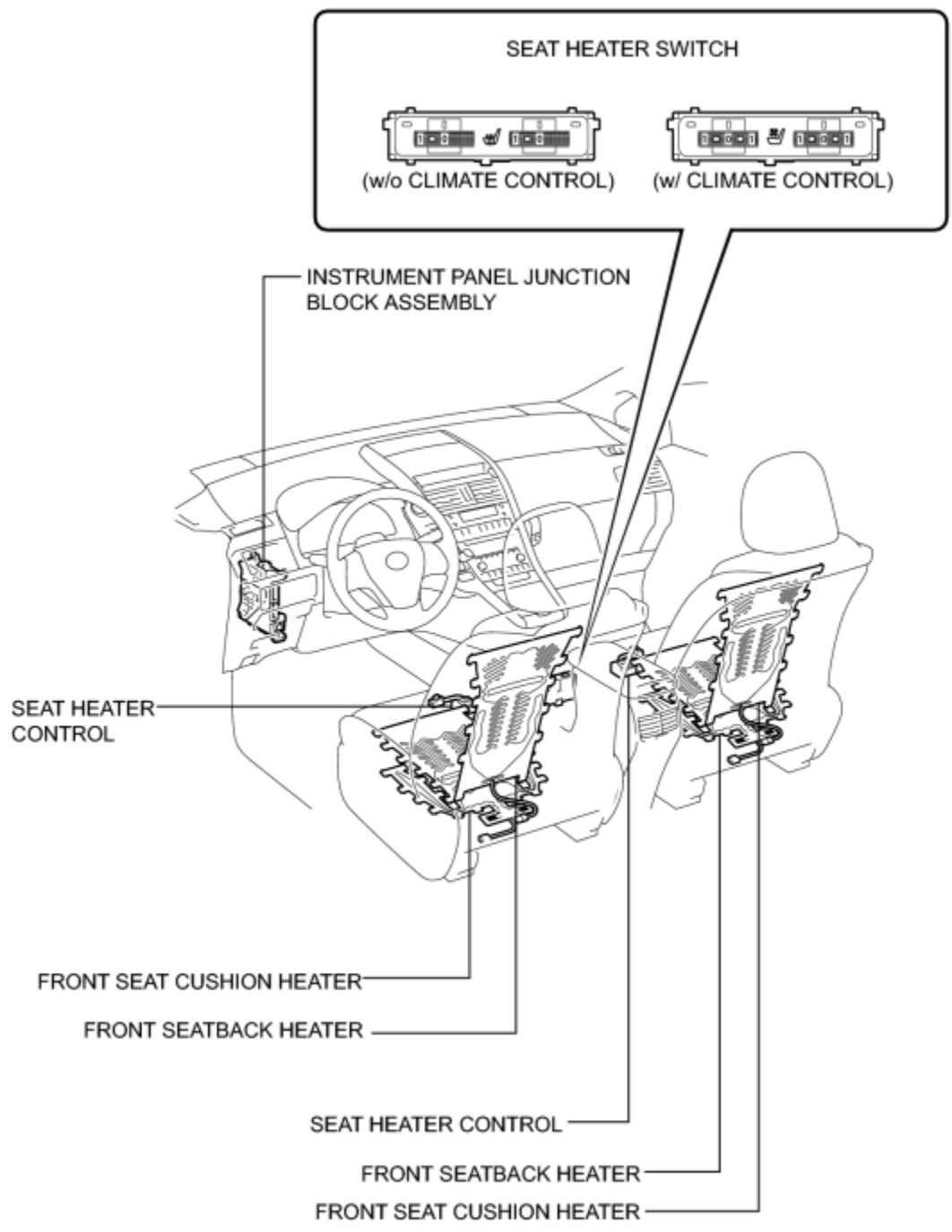


<b>Last Modified:</b> 5-25-2010	6.4 R	<b>From:</b> 200907
<b>Model Year:</b> 2010	<b>Model:</b> HS250H	<b>Doc ID:</b> RM0000011HP018X
<b>Title:</b> SEAT: SEAT HEATER SYSTEM: PARTS LOCATION (2010 HS250H)		

## **PARTS LOCATION**

## **ILLUSTRATION**

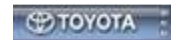


<b>Last Modified:</b> 5-25-2010	6.4 D	<b>From:</b> 200907
<b>Model Year:</b> 2010	<b>Model:</b> HS250H	<b>Doc ID:</b> RM0000011HR017X
<b>Title:</b> SEAT: SEAT HEATER SYSTEM: SYSTEM DESCRIPTION (2010 HS250H)		

## SYSTEM DESCRIPTION

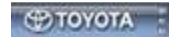
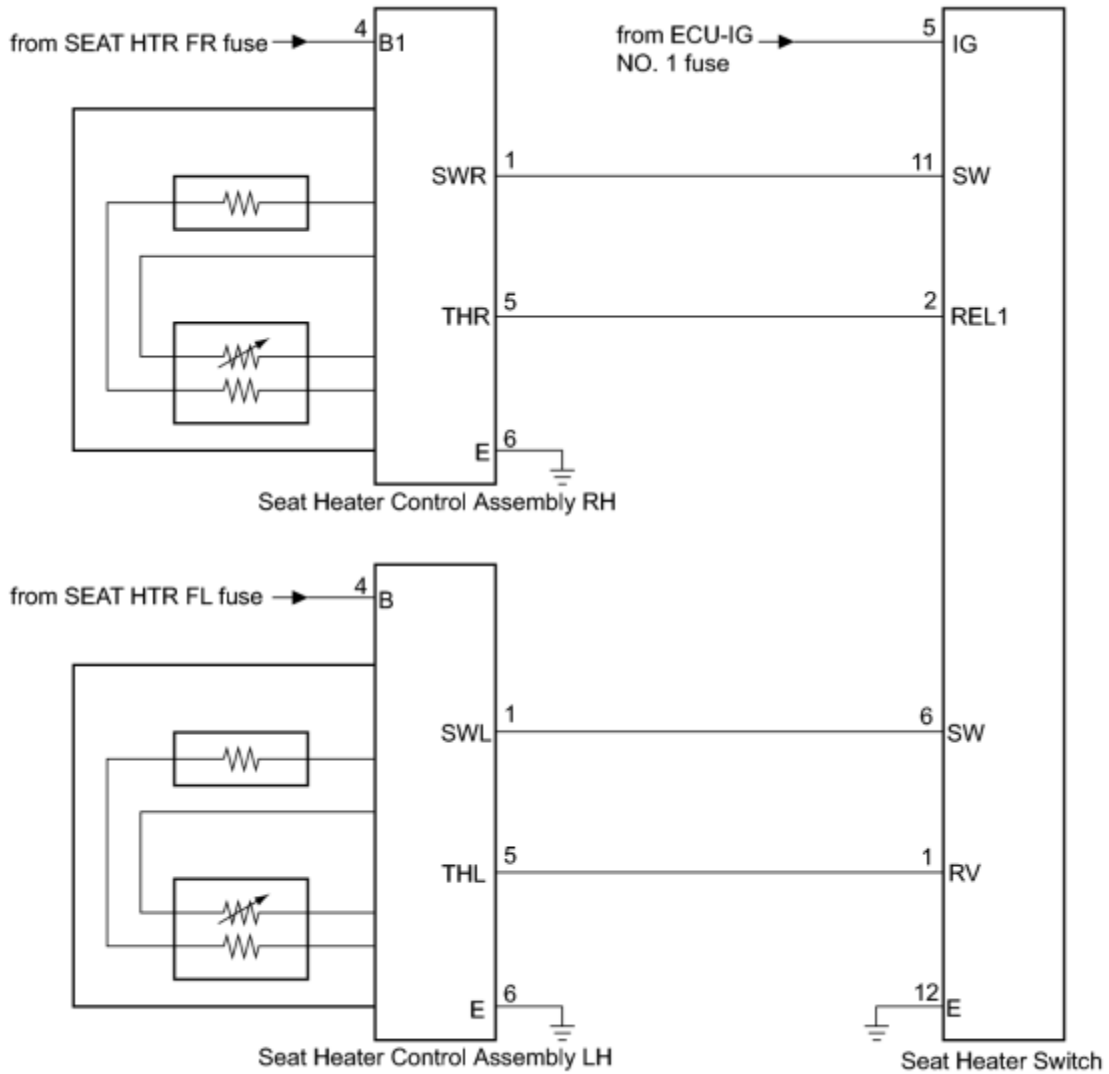
### 1. GENERAL DESCRIPTION

- (a) By operating the seat heater switch, which is located in the console box, the temperature can be controlled within the range of 30 to 40°C (86 to 104°F).
- (b) The seat heater switch indicator light provides seat heater on/off status.
- (c) The seat heaters of both seats are controlled by the seat heater controls, which are located under the respective seat.



<b>Last Modified:</b> 5-25-2010	6.4 U	<b>From:</b> 200907
<b>Model Year:</b> 2010	<b>Model:</b> HS250H	<b>Doc ID:</b> RM0000011HS014X
<b>Title:</b> SEAT: SEAT HEATER SYSTEM: SYSTEM DIAGRAM (2010 HS250H)		

## SYSTEM DIAGRAM



<b>Last Modified:</b> 5-25-2010	6.4 T	<b>From:</b> 200907
<b>Model Year:</b> 2010	<b>Model:</b> HS250H	<b>Doc ID:</b> RM0000011HQ017X
<b>Title:</b> SEAT: SEAT HEATER SYSTEM: PROBLEM SYMPTOMS TABLE (2010 HS250H)		

## PROBLEM SYMPTOMS TABLE

### HINT:

Use the table below to help determine the cause of problem symptoms. If multiple suspected areas are listed, the potential causes of the symptoms are listed in order of probability in the "Suspected Area" column of the table. Check each symptom by checking the suspected areas in the order they are listed. Replace parts as necessary.

### Seat Heater System

Symptom	Suspected Area	See page
Seat heater does not operate (Front LH side)	ECU-IG1 NO. 1 fuse	-
	SEAT HTR FL fuse	-
	Seat heater switch	<a href="#">INFO</a>
	Front seat cushion heater assembly LH	<a href="#">INFO</a>
	Front seat back heater assembly LH	<a href="#">INFO</a>
	Seat heater control assembly	-
	Wire harness or connector	-
Seat heater does not operate (Front RH side)	ECU-IG1 NO. 1 fuse	-
	SEAT HTR FR fuse	-
	Seat heater switch	<a href="#">INFO</a>
	Front seat cushion heater assembly RH	<a href="#">INFO</a>
	Front seat back heater assembly RH	<a href="#">INFO</a>
	Seat heater control assembly	-
	Wire harness or connector	-

