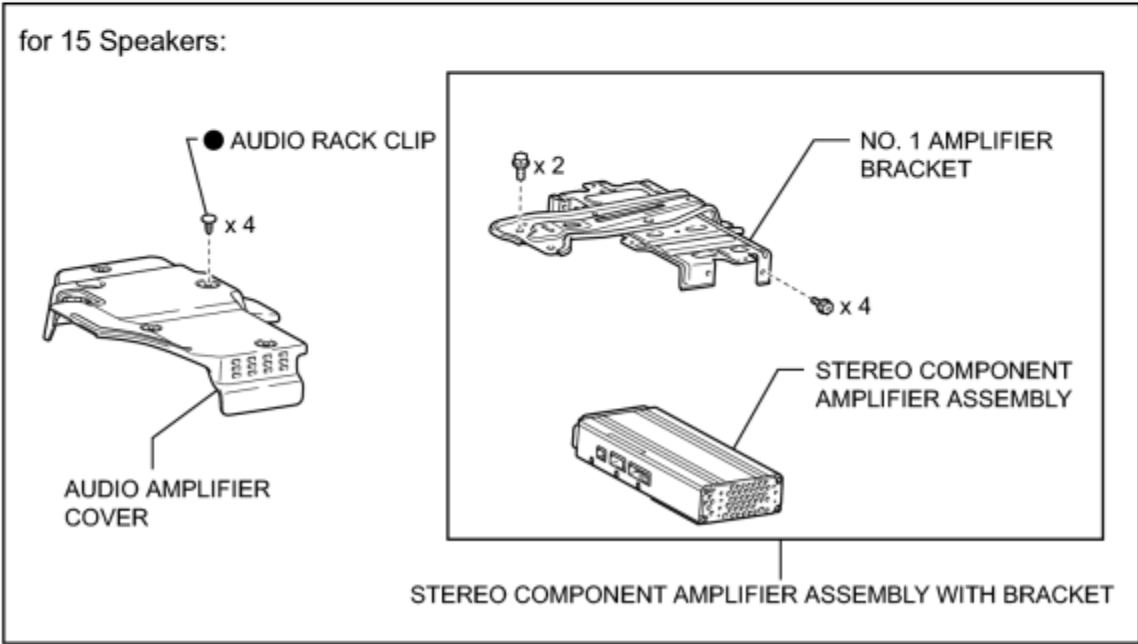
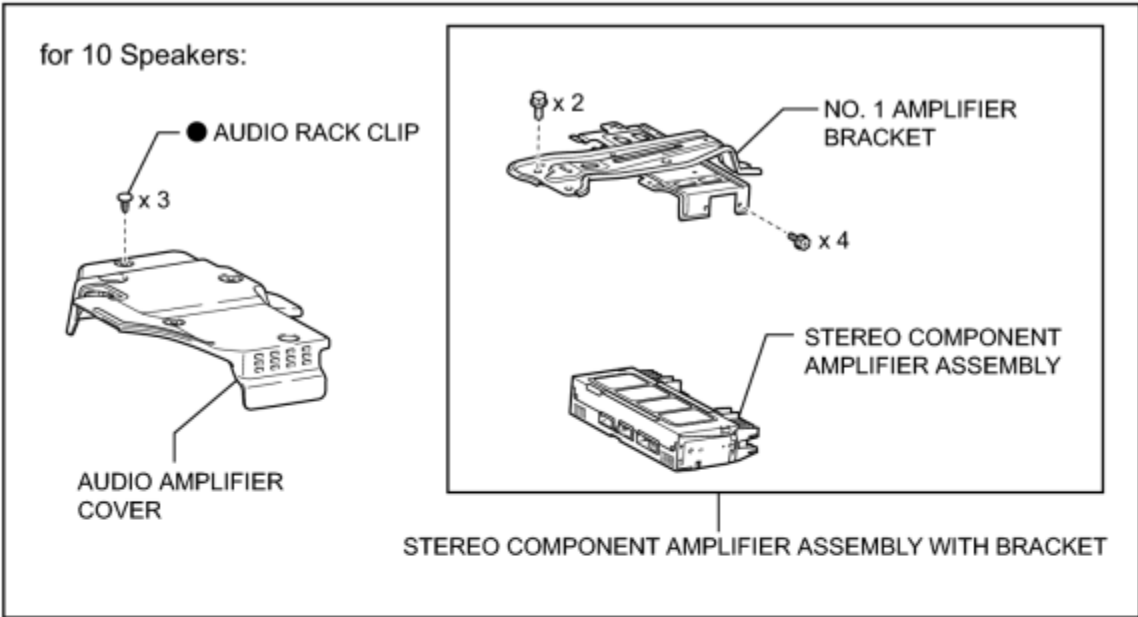


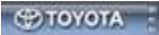
Last Modified: 10-5-2010	6.4 K	From: 200907
Model Year: 2010	Model: HS250H	Doc ID: RM000001PZF00IX
Title: AUDIO / VIDEO: STEREO COMPONENT AMPLIFIER: COMPONENTS (2010 HS250H)		

COMPONENTS

ILLUSTRATION



● Non-reusable part



Last Modified: 10-5-2010	6.4 A	From: 200907
Model Year: 2010	Model: HS250H	Doc ID: RM000001PZG00LX
Title: AUDIO / VIDEO: STEREO COMPONENT AMPLIFIER: REMOVAL (2010 HS250H)		

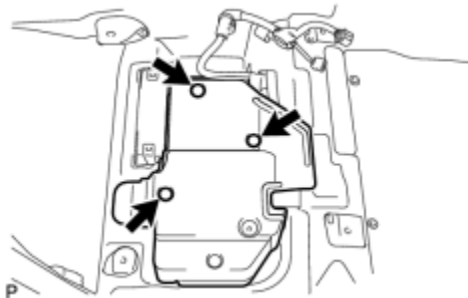
REMOVAL

1. REMOVE FRONT SEAT ASSEMBLY RH

HINT:

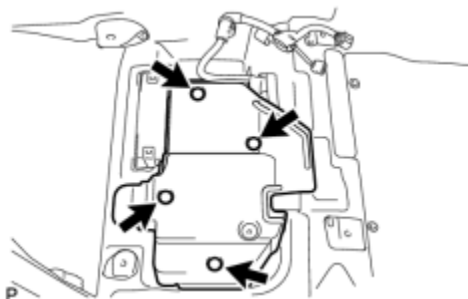
Use the same procedure for the RH side and LH side [INFO](#).

2. REMOVE AUDIO AMPLIFIER COVER (for 10 Speakers)



(a) Using a clip remover, remove the 3 audio rack clips and audio amplifier cover.

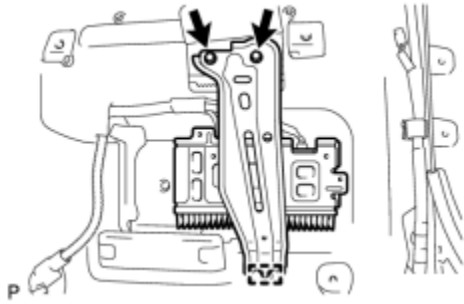
3. REMOVE AUDIO AMPLIFIER COVER (for 15 Speakers)



(a) Using a clip remover, remove the 4 audio rack clips and audio amplifier cover.

4. REMOVE STEREO COMPONENT AMPLIFIER ASSEMBLY WITH BRACKET

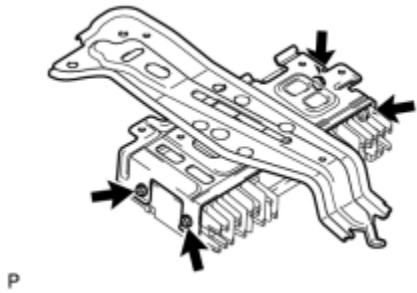
(a) Remove the 2 bolts.



(b) Disconnect each connector.

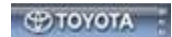
(c) Disengage the clamp and remove the stereo component amplifier assembly with bracket.

5. REMOVE NO. 1 AMPLIFIER BRACKET



(a) Remove the 4 bolts and No. 1 amplifier bracket.

6. REMOVE STEREO COMPONENT AMPLIFIER ASSEMBLY



Last Modified: 10-5-2010	6.4 A	From: 200907
Model Year: 2010	Model: HS250H	Doc ID: RM000001PZE00LX
Title: AUDIO / VIDEO: STEREO COMPONENT AMPLIFIER: INSTALLATION (2010 HS250H)		

INSTALLATION

1. INSTALL STEREO COMPONENT AMPLIFIER ASSEMBLY

2. INSTALL NO. 1 AMPLIFIER BRACKET

(a) Install the No. 1 amplifier bracket with the 4 bolts.

3. INSTALL STEREO COMPONENT AMPLIFIER ASSEMBLY WITH BRACKET

(a) Engage the clamp.

(b) Connect each connector.

(c) Install the stereo component amplifier assembly with bracket with the 2 bolts.

4. INSTALL AUDIO AMPLIFIER COVER (for 10 Speakers)


(a) Install the audio amplifier cover with 3 new audio rack clips.

5. INSTALL AUDIO AMPLIFIER COVER (for 15 Speakers)

(a) Install the audio amplifier cover with 4 new audio rack clips.

6. INSTALL FRONT SEAT ASSEMBLY RH

HINT:

Use the same procedure for the RH side and LH side .

