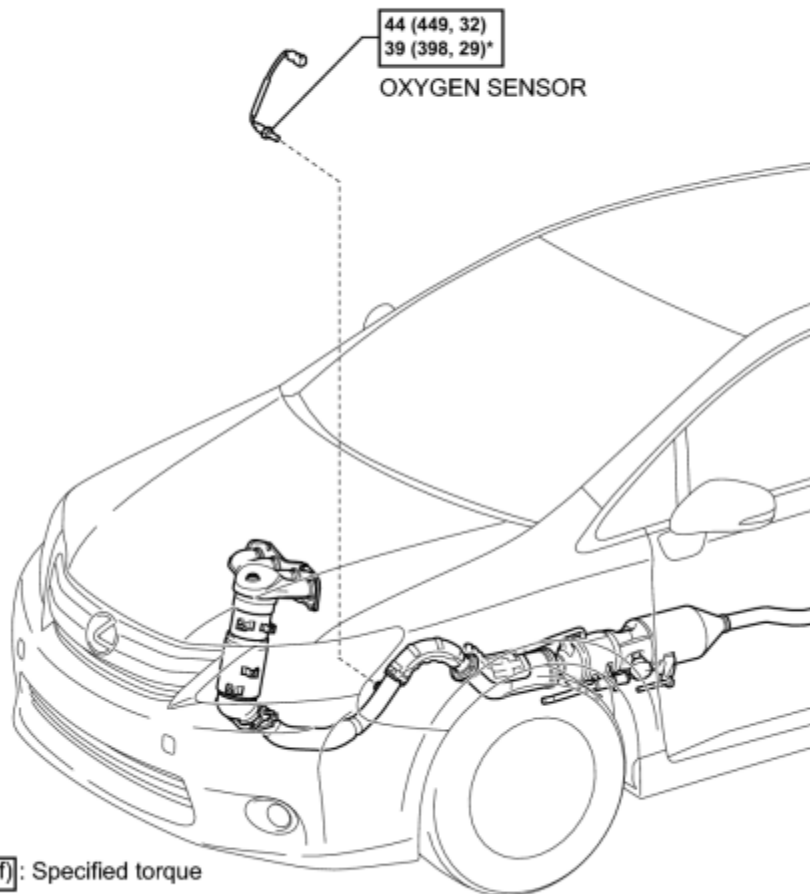


|   |                      |                                |
|---|----------------------|--------------------------------|
| <b>Last Modified:</b> 5-25-2010   | 6.4 K                | <b>From:</b> 200907            |
| <b>Model Year:</b> 2010   | <b>Model:</b> HS250H | <b>Doc ID:</b> RM0000012OL010X |
| <b>Title:</b> 2AZ-FXE ENGINE CONTROL: HEATED OXYGEN SENSOR: COMPONENTS<br>(2010 HS250H) |                      |                                |

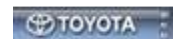
## COMPONENTS

## ILLUSTRATION



**N\*m (kgf\*cm, ft.\*lbf)**: Specified torque

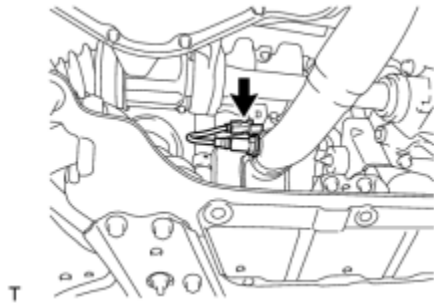
\* For use with SST



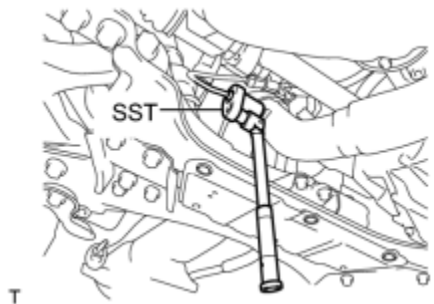
|   |                      |                                |
|---|----------------------|--------------------------------|
| <b>Last Modified:</b> 5-25-2010   | 6.4 A                | <b>From:</b> 200907            |
| <b>Model Year:</b> 2010   | <b>Model:</b> HS250H | <b>Doc ID:</b> RM0000012OM010X |
| <b>Title:</b> 2AZ-FXE ENGINE CONTROL: HEATED OXYGEN SENSOR: REMOVAL (2010 HS250H) |                      |                                |

## REMOVAL

### 1. REMOVE OXYGEN SENSOR



(a) Disconnect the oxygen sensor connector.

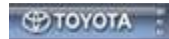


(b) Using SST, remove the oxygen sensor from the front exhaust pipe assembly.

SST: 09224-00010

NOTICE:

Do not damage the oxygen sensor.



|  |                      |                                |
|--|----------------------|--------------------------------|
| <b>Last Modified:</b> 5-25-2010  | 6.4 G                | <b>From:</b> 200907            |
| <b>Model Year:</b> 2010  | <b>Model:</b> HS250H | <b>Doc ID:</b> RM0000012OK010X |
| <b>Title:</b> 2AZ-FXE ENGINE CONTROL: HEATED OXYGEN SENSOR: INSPECTION (2010 HS250H) |                      |                                |

## INSPECTION

### 1. INSPECT OXYGEN SENSOR

(a) Measure the resistance according to the value(s) in the table below.

\*1



|                             |  |
|-----------------------------|--|
| <b>Text in Illustration</b> | Component without harness connected<br><br>(Oxygen Sensor) |
| *1                          |  |

Standard Resistance:

| Tester Connection | Condition   | Specified Condition |
|-------------------|-------------|---------------------|
| 1 (HT) - 2 (+B)   | 20°C (68°F) | 11 to 16 Ω          |
| 1 (HT) - 4 (E)    | -           | 10 kΩ or higher     |

If the resistance is not as specified, replace the sensor.



|  |                      |                                |
|--|----------------------|--------------------------------|
| <b>Last Modified:</b> 5-25-2010  | 6.4 A                | <b>From:</b> 200907            |
| <b>Model Year:</b> 2010  | <b>Model:</b> HS250H | <b>Doc ID:</b> RM00000120J01BX |
| <b>Title:</b> 2AZ-FXE ENGINE CONTROL: HEATED OXYGEN SENSOR: INSTALLATION (2010 HS250H) |                      |                                |

## INSTALLATION

### 1. INSTALL OXYGEN SENSOR

(a) Temporarily tighten the oxygen sensor.

NOTICE:

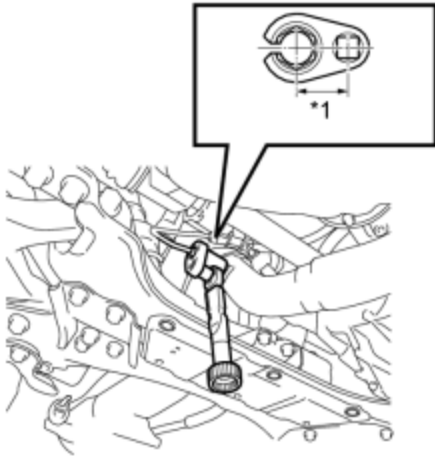
Do not damage the oxygen sensor.

(b) Using SST, fully tighten the oxygen sensor.

|                             |                      |
|-----------------------------|----------------------|
| <b>Text in Illustration</b> | Fulcrum Length 30 mm |
| *1                          |                      |

SST: 09224-00010

without SST - Torque: **44 N·m (449 kgf·cm, 32ft·lbf)**



with SST - Torque: **39 N·m (398 kgf·cm, 29ft·lbf)**

**NOTICE:**

- The "with SST" torque value is effective when using SST with a fulcrum length of 30 mm (1.18 in.).
- The "with SST" torque value is effective when using a torque wrench with a fulcrum length of 260 mm (10.23 in.).
- This torque value is effective when SST is parallel to the torque wrench **INFO**.

(c) Connect the oxygen sensor connector.

## 2. INSPECT FOR EXHAUST GAS LEAK

