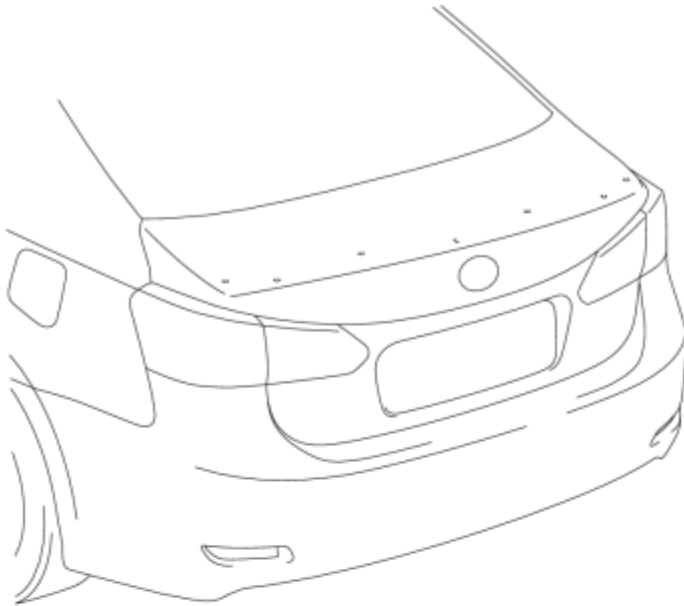


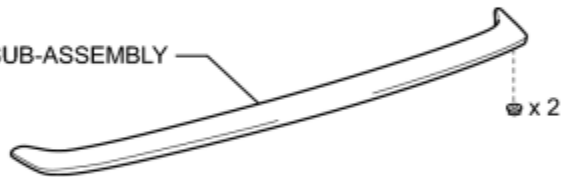
| | | |
|--|----------------------|--------------------------------|
| Last Modified: 5-25-2010 | 6.4 K | From: 200907 |
| Model Year: 2010 | Model: HS250H | Doc ID: RM000003W5D006X |
| Title: EXTERIOR PANELS / TRIM: REAR SPOILER: COMPONENTS (2010 HS250H) | | |

COMPONENTS

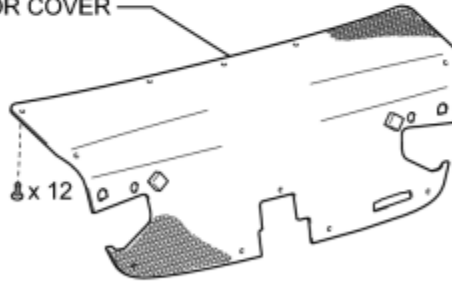
ILLUSTRATION



● REAR UPPER SPOILER SUB-ASSEMBLY



LUGGAGE COMPARTMENT DOOR COVER



LUGGAGE COMPARTMENT TRIM COVER ASSEMBLY LH

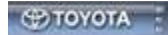


LUGGAGE COMPARTMENT TRIM COVER ASSEMBLY RH



● Non-reusable part

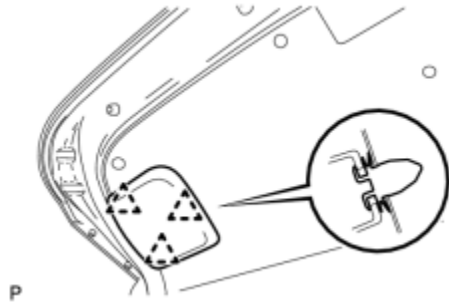
P



| | | |
|---|----------------------|--------------------------------|
| Last Modified: 5-25-2010 | 6.4 A | From: 200907 |
| Model Year: 2010 | Model: HS250H | Doc ID: RM000003W5E006X |
| Title: EXTERIOR PANELS / TRIM: REAR SPOILER: REMOVAL (2010 HS250H) | | |

REMOVAL

1. REMOVE LUGGAGE COMPARTMENT TRIM COVER ASSEMBLY LH



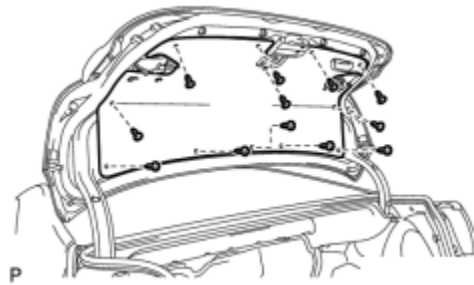
(a) Disengage the 3 clips and remove the luggage compartment trim cover assembly LH.

2. REMOVE LUGGAGE COMPARTMENT TRIM COVER ASSEMBLY RH

HINT:

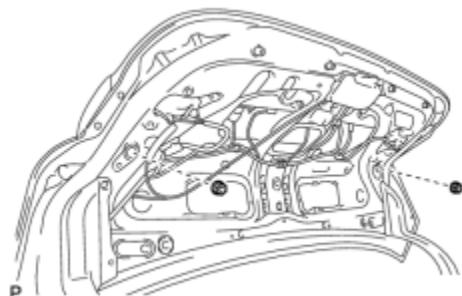
Use the same procedure as for the LH side.

3. REMOVE LUGGAGE COMPARTMENT DOOR COVER

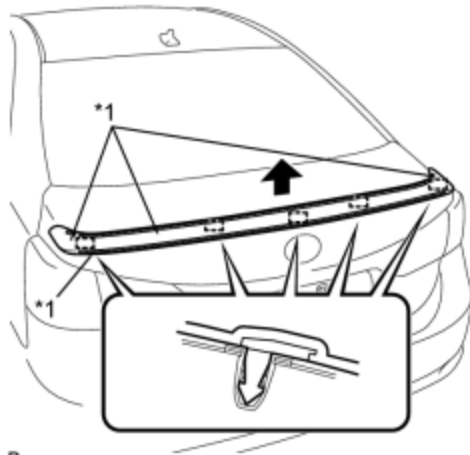


(a) Disengage the 12 clips and remove the luggage compartment door cover.

4. REMOVE REAR UPPER SPOILER SUB-ASSEMBLY



(a) Remove the 2 nuts.



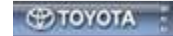
(b) Disengage the 5 pins to remove the rear upper spoiler sub-assembly.

Text in Illustration

Double-sided Tape

*1

P



| | | |
|--|----------------------|--------------------------------|
| Last Modified: 5-25-2010 | 6.4 A | From: 200907 |
| Model Year: 2010 | Model: HS250H | Doc ID: RM000003W5C006X |
| Title: EXTERIOR PANELS / TRIM: REAR SPOILER: INSTALLATION (2010 HS250H) | | |

INSTALLATION

1. INSTALL REAR UPPER SPOILER SUB-ASSEMBLY

HINT:

When installing a new rear upper spoiler sub-assembly, heat the vehicle body using a heat light.

Heating Temperature

| Item | Temperature |
|--------------------------|---------------------------|
| Luggage Compartment Door | 40 to 60°C (104 to 140°F) |

NOTICE:

Do not heat the luggage compartment door excessively.

(a) Clean the luggage compartment door surface.

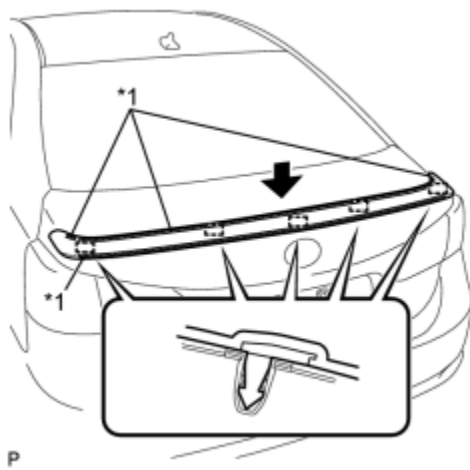
(1) Using a heat light, heat the luggage compartment door surface.

(2) Remove the double-sided tape from the luggage compartment door.

- (3) Wipe off any tape adhesive residue with cleaner.
- (b) Install the rear upper spoiler sub-assembly.
- (1) Using a heat light, heat the vehicle body and rear upper spoiler sub-assembly.
- (2) Remove the release paper from the rear upper spoiler sub-assembly.

HINT:

After removing the release paper, keep the exposed adhesive free from foreign matter.



- (3) Engage the 5 pins to install a new rear upper spoiler sub-assembly.

| | |
|-----------------------------|-------------------|
| Text in Illustration | |
| *1 | Double-sided Tape |

- (4) Install the 2 nuts.

2. INSTALL LUGGAGE COMPARTMENT DOOR COVER

- (a) Install the luggage compartment door cover with the 12 clips.

3. INSTALL LUGGAGE COMPARTMENT TRIM COVER ASSEMBLY LH

- (a) Engage the 3 clips and install the luggage compartment trim cover assembly LH.

4. INSTALL LUGGAGE COMPARTMENT TRIM COVER ASSEMBLY RH

HINT:

Use the same procedure as for the LH side.



