

Print

Preview

Exit

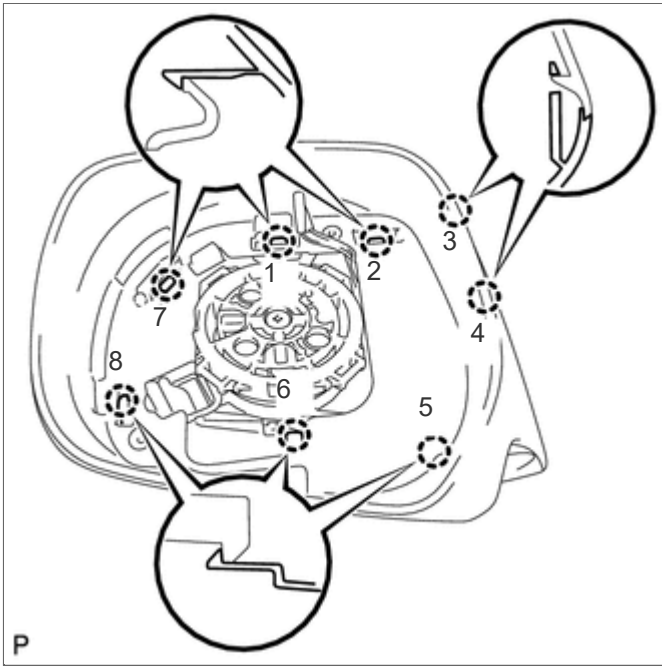
MIRROR (EXT) OUTER REAR VIEW MIRROR DISASSEMBLY

CAUTION / NOTICE / HINT**HINT:**

- Use the same procedure for the RH and LH sides.
- The procedure listed below is for the LH side.

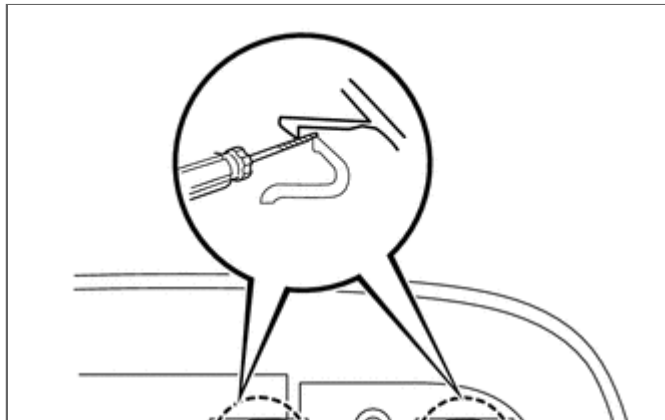
PROCEDURE
 1.REMOVE OUTER MIRROR LH

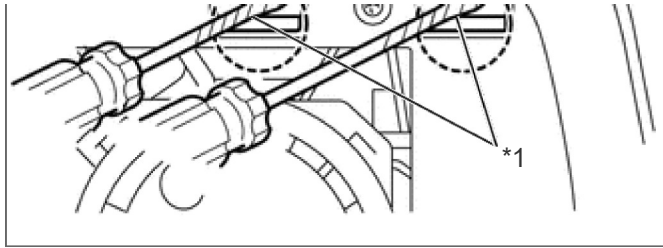
Click here [Vehicle Exterior>MIRROR \(EXT\)>OUTER REAR VIEW MIRROR GLASS>REMOVAL](#)

 2.REMOVE OUTER MIRROR COVER LH
**HINT:**

Be sure to detach the claws of the outer mirror cover in the order shown in the illustration.

a.





*1	Protective Tape
----	-----------------

Using 2 screwdrivers, detach the 2 claws.

HINT:

Tape the screwdriver tip before use.

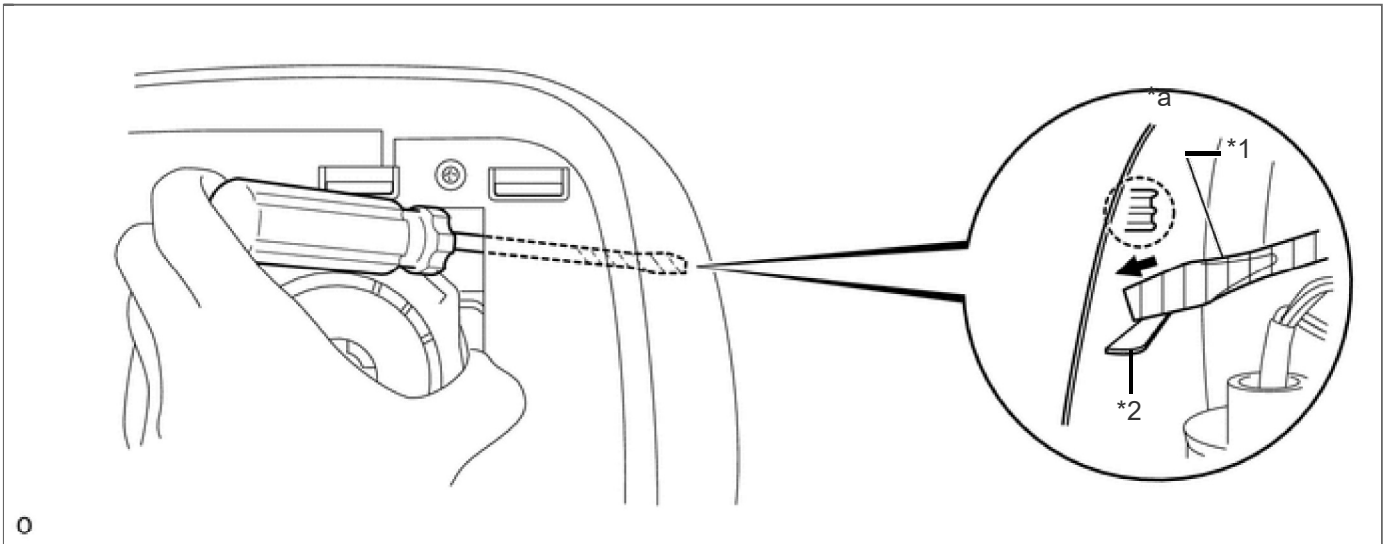
- b. Insert a screwdriver into the slot as shown in the illustration and push on the outer mirror body to create a space between the outer mirror body and outer mirror cover.

NOTICE:

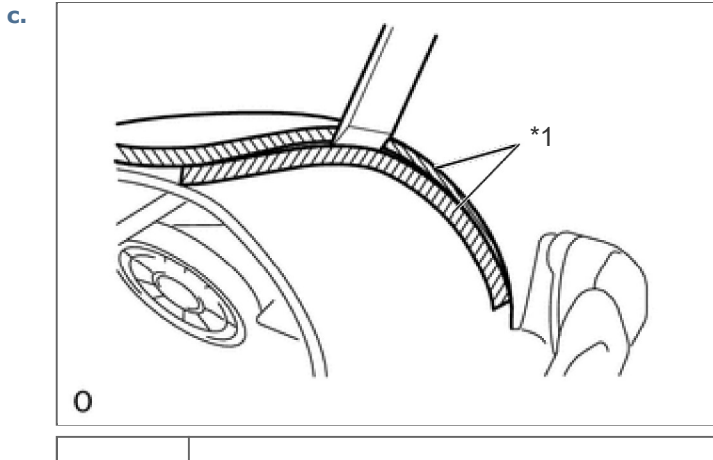
Be careful not to break the ribs.

HINT:

Tape the screwdriver tip before use.



*1	Protective Tape	*2	Rib
*a	Inner Side of Outer Mirror Cover	-	-



*1 | Protective Tape

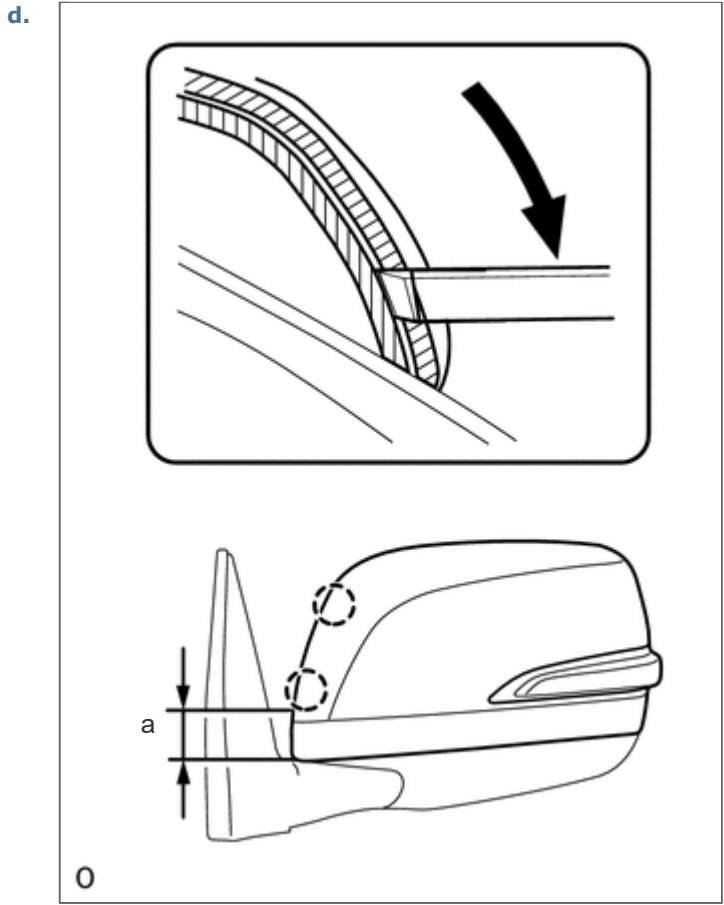
Insert a moulding remover into the space made between the outer mirror body and outer mirror cover.

NOTICE:

Do not insert the moulding remover more than 4 mm (0.157 in.).

HINT:

Tape the moulding remover before use.



Slide the moulding remover downwards as shown in the illustration to detach the 2 claws.

NOTICE:

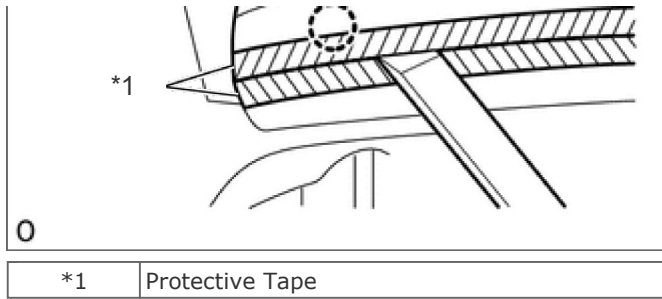
- Do not insert the moulding remover more than 4 mm (0.157 in.).
- Do not slide the moulding remover past the point approximately 40 mm (1.57 in.) from the bottom edge of the outer mirror cover as the outer mirror body will become damaged.

Standard:

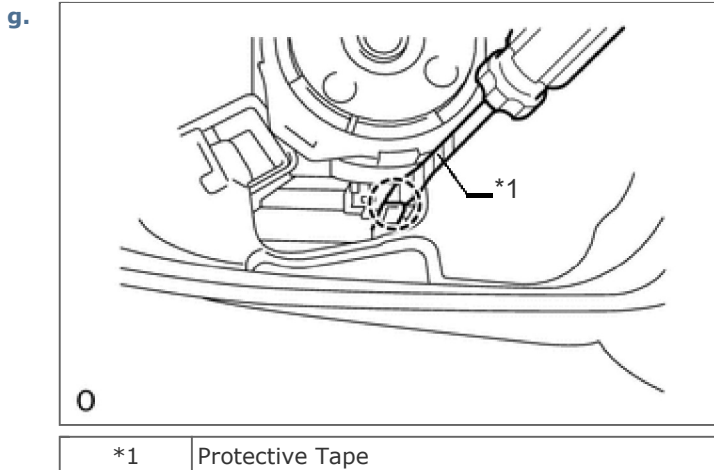
Area	Specified Condition
a	40.0 mm (1.57 in.)

e. Remove the moulding remover.





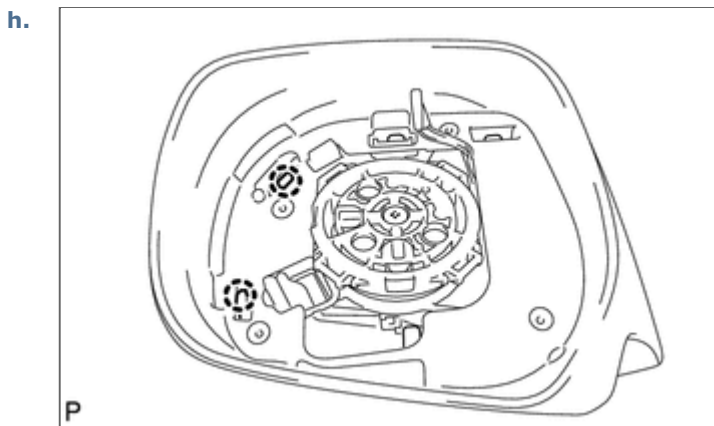
Insert a moulding remover between the outer mirror cover and outer mirror body as shown in the illustration and detach the claw.



Using a screwdriver, detach the claw.

HINT:

Tape the screwdriver tip before use.



Detach the 2 claws and remove the outer mirror cover.

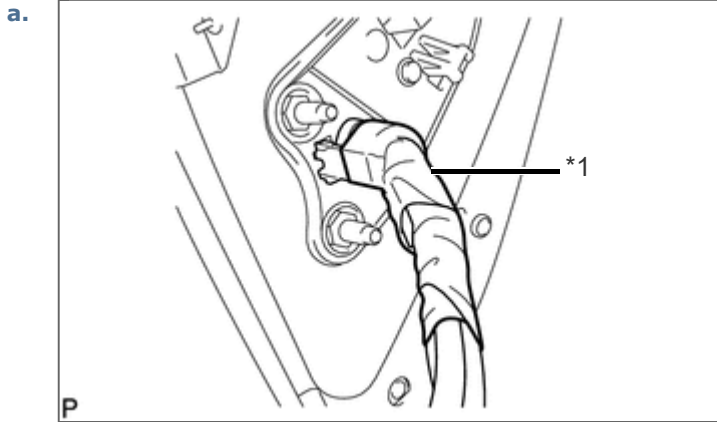
NOTICE:

When removing the cover, be careful not to damage the side turn signal light assembly or cover.

3.REMOVE SIDE TURN SIGNAL LIGHT ASSEMBLY LH

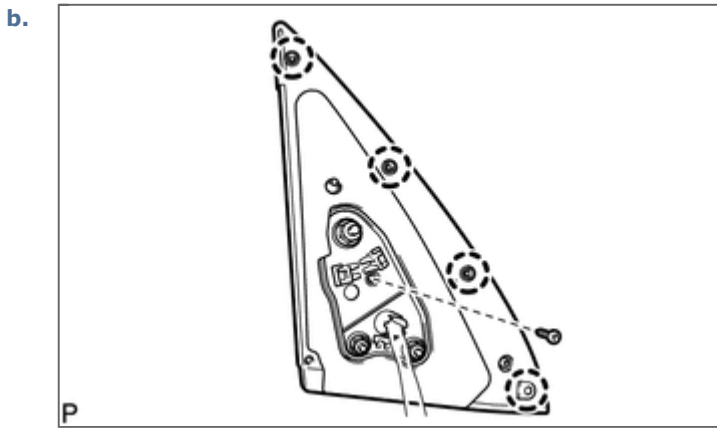
Vehicle Exterior>LIGHTING (EXT)>SIDE TURN SIGNAL LIGHT ASSEMBLY>REMOVAL

4.REMOVE SIDE TELEVISION CAMERA ASSEMBLY (w/ Side Monitor System)



*1	Tape
----	------

Remove the tape.

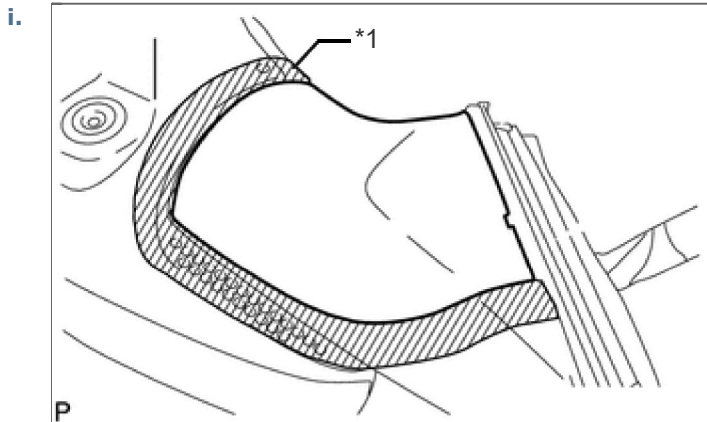


Remove the screw, detach the 4 claws and remove the rubber base.

HINT:

It is not necessary to completely remove the rubber base. Slightly move the rubber base so that the lower mirror cover can be removed in a later step.

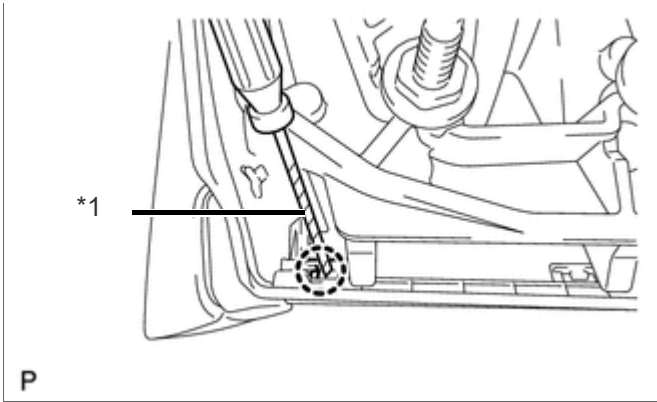
c. Remove the lower mirror cover.



*1	Protective Tape
----	-----------------

Put protective tape around the lower mirror cover.

ii.



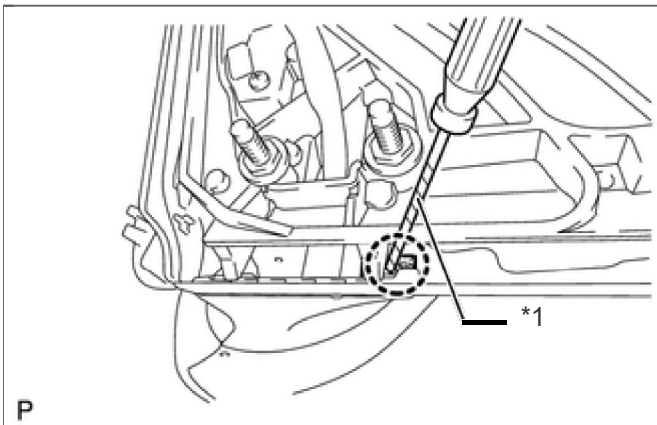
*1	Protective Tape
----	-----------------

Using a screwdriver, detach the claw.

HINT:

Tape the screwdriver tip before use.

iii.



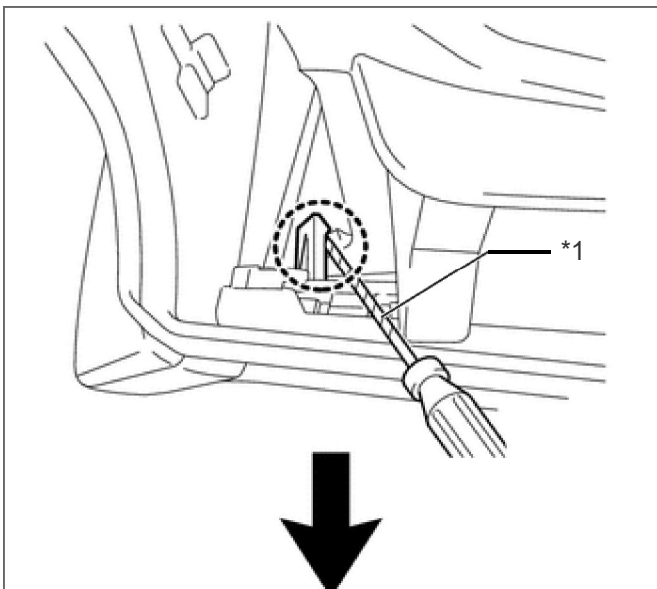
*1	Protective Tape
----	-----------------

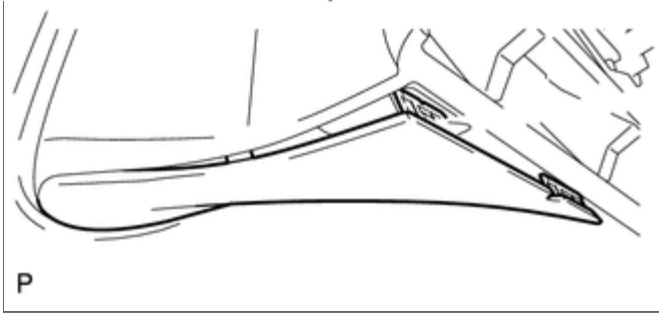
Using a screwdriver, detach the claw.

HINT:

Tape the screwdriver tip before use.

iv.





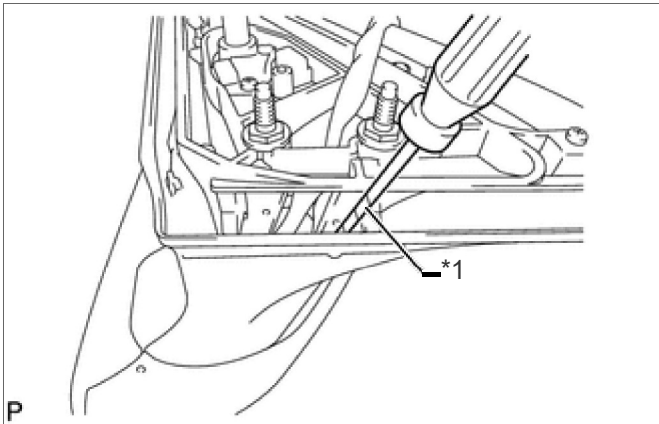
*1	Protective Tape
----	-----------------

Using a screwdriver, detach the claw to create a space between the lower mirror cover and mirror body as shown in the illustration.

HINT:

Tape the screwdriver tip before use.

v.



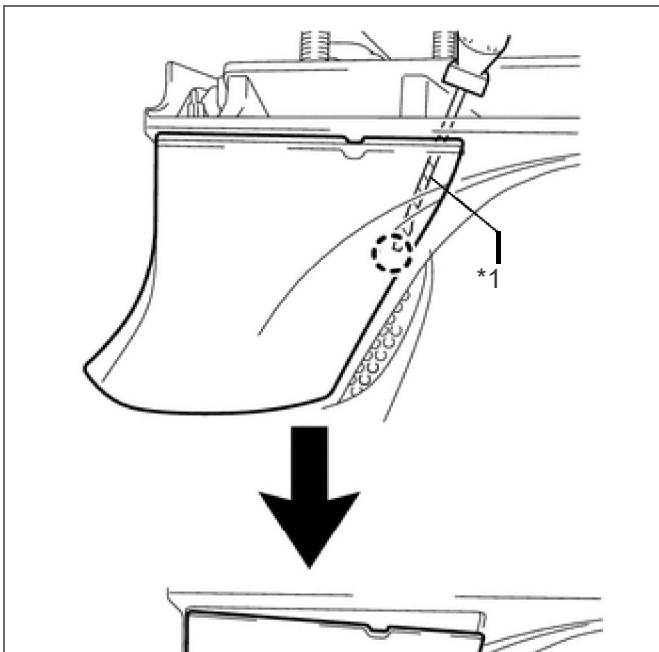
*1	Protective Tape
----	-----------------

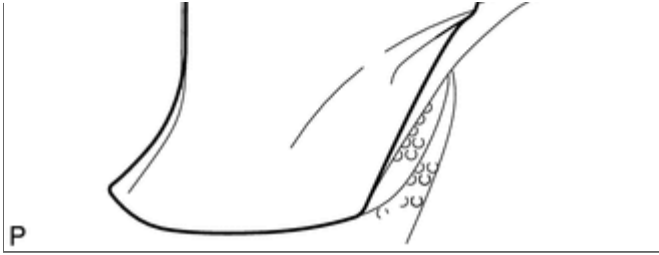
Insert a screwdriver as shown in the illustration.

HINT:

Tape the screwdriver tip before use.

vi.





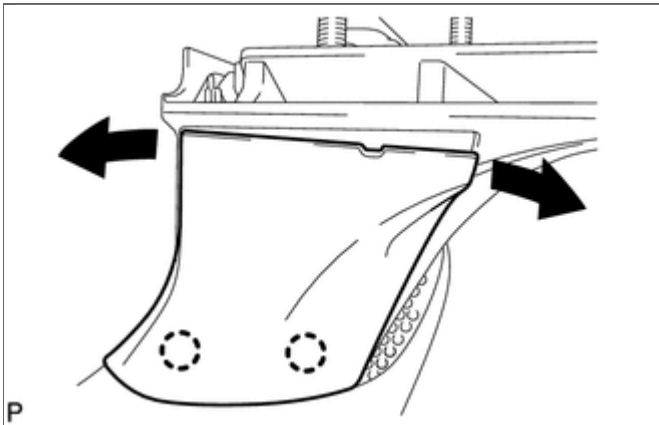
*1	Protective Tape
----	-----------------

Detach the claw to create a space between the lower mirror cover and mirror body as shown in the illustration.

HINT:

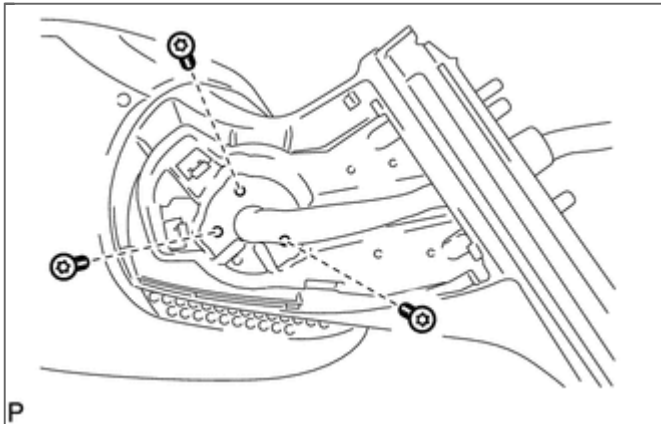
Tape the screwdriver tip before use.

vii.



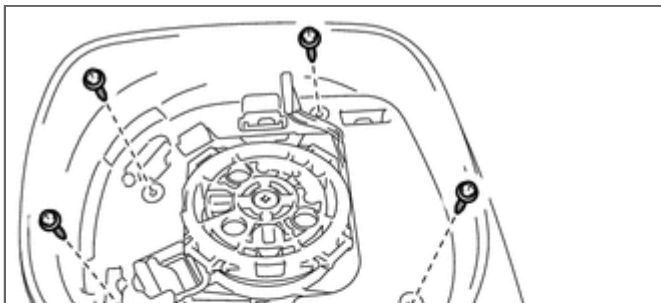
While moving the lower mirror cover back and forth in the directions of the arrows in the illustration, detach the 3 claws and remove the lower mirror cover.

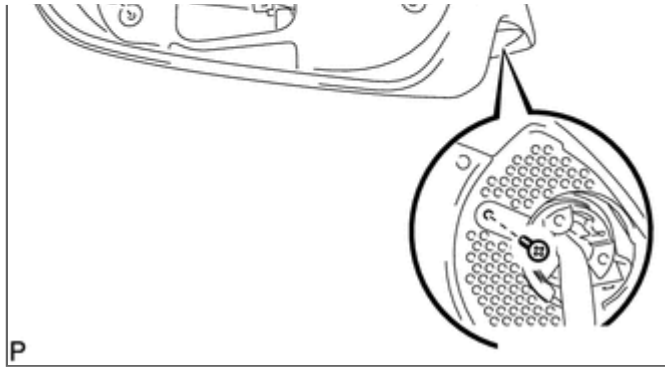
d.



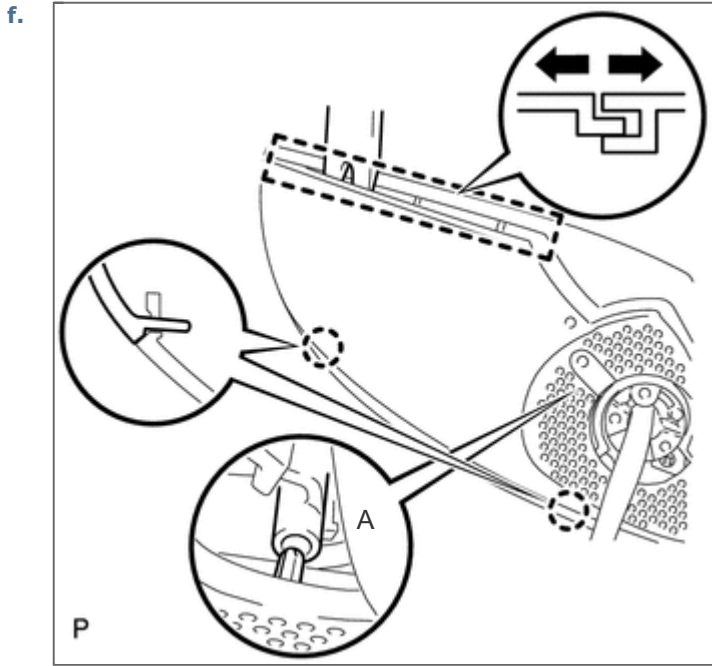
Using a T25 "TORX" socket wrench, remove the 3 screws.

e.





Remove the 5 screws.

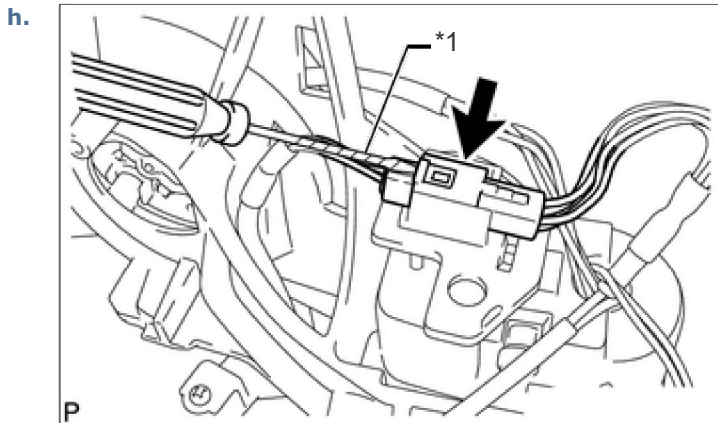


Using a moulding remover, open the mirror body as shown in the illustration.

g. Using a moulding remover, detach the 2 claws.

NOTICE:

Be careful not to break the claw shown in the part of the illustration labeled A.



*1	Protective Tape
----	-----------------

Using a screwdriver, disconnect the connector.

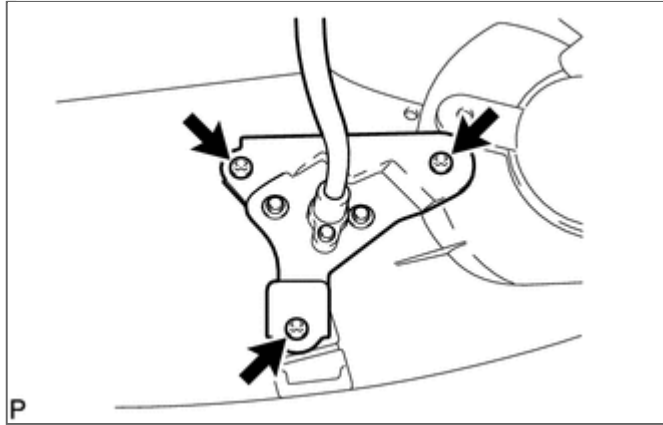
NOTICE:

When disconnecting the connector, be careful not to damage it.

HINT:

Tape the screwdriver tip before use.

i.



Remove the 3 screws and side television camera.

© 2012 TOYOTA MOTOR CORPORATION. All Rights Reserved.