

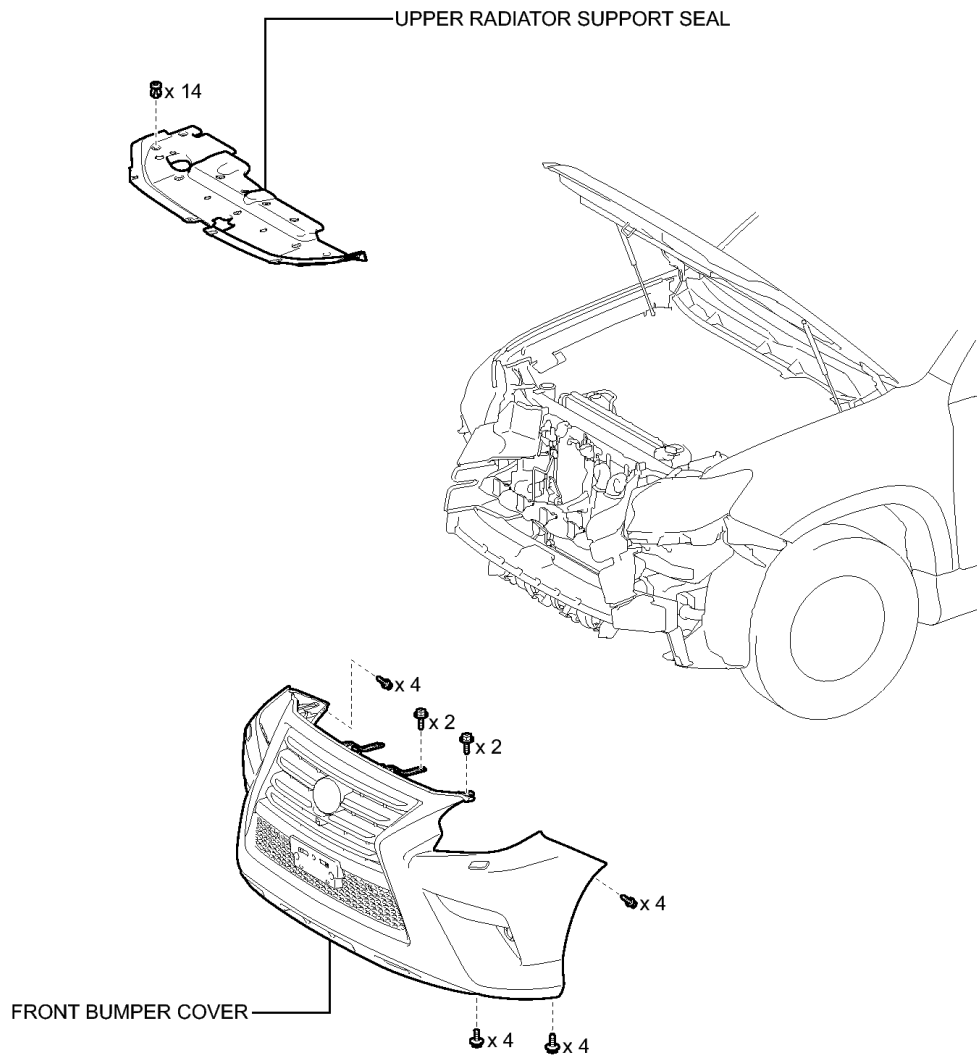
2014 ACCESSORIES & EQUIPMENT

Exterior Panels / Trim (Service Information) - GX460

FRONT BUMPER

COMPONENTS [08/2013 -]

ILLUSTRATION

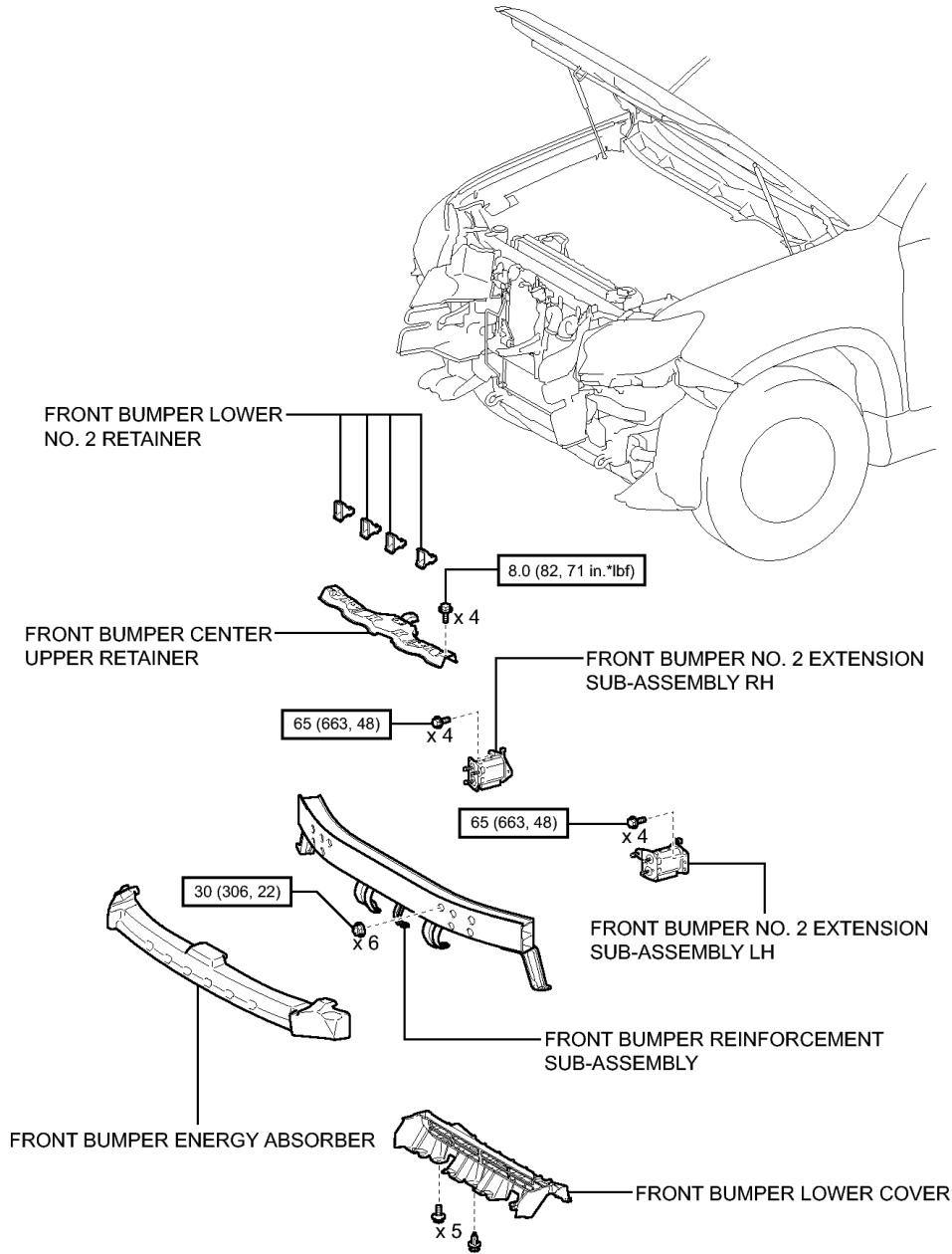


H

Fig. 1: Identifying Front Bumper Replacement Components (1 Of 7)

Courtesy of TOYOTA MOTOR SALES, U.S.A., INC.

ILLUSTRATION

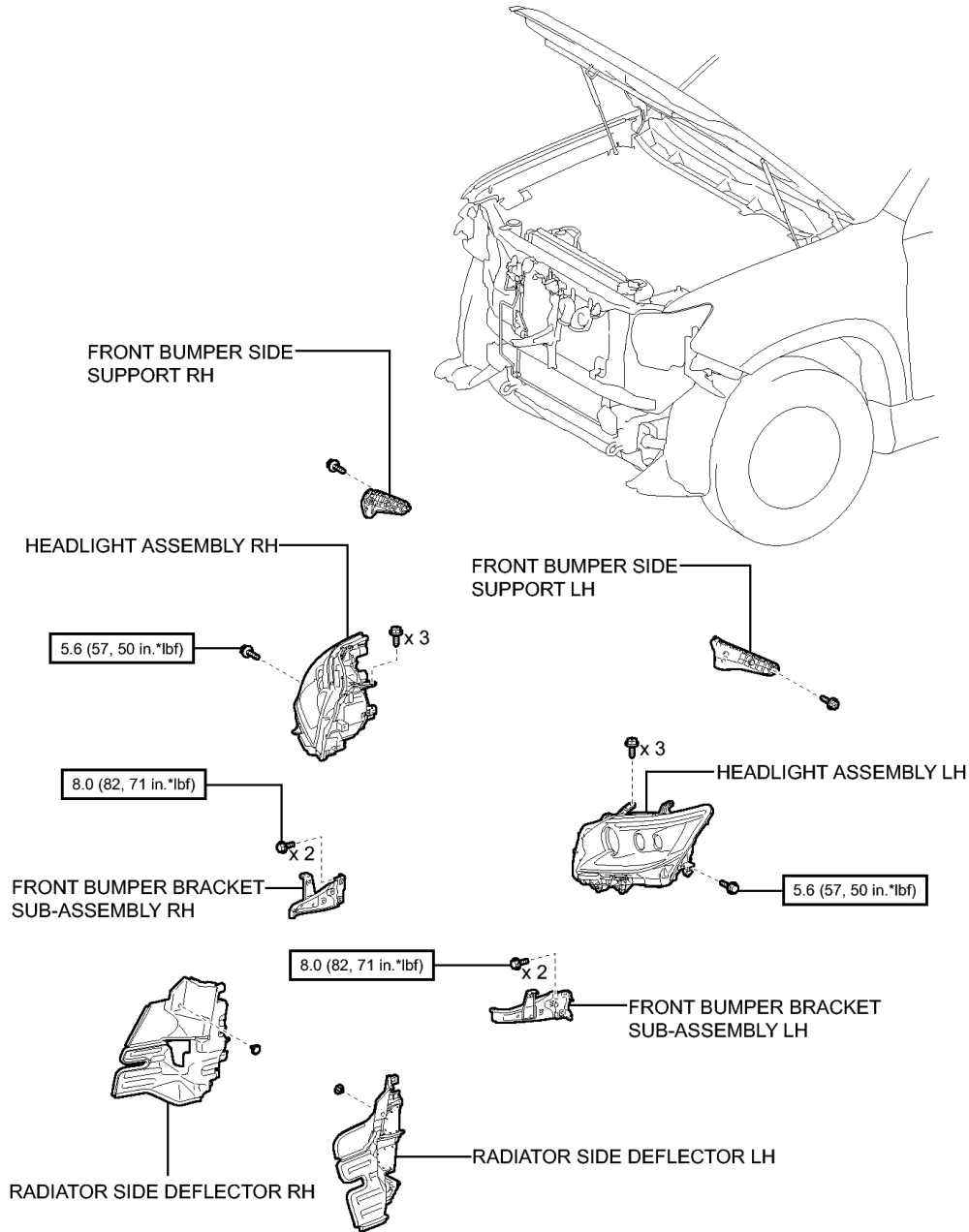


N^*m (kgf*cm, ft.*lbf) : Specified torque

Fig. 2: Identifying Front Bumper Replacement Components With Torque Specifications (2 Of 7)

Courtesy of TOYOTA MOTOR SALES, U.S.A., INC.

ILLUSTRATION



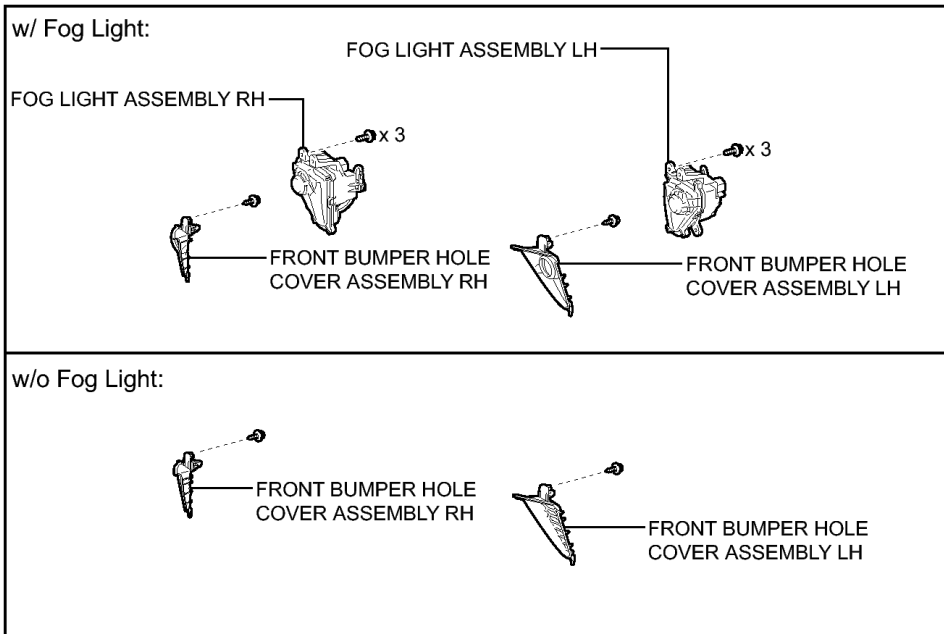
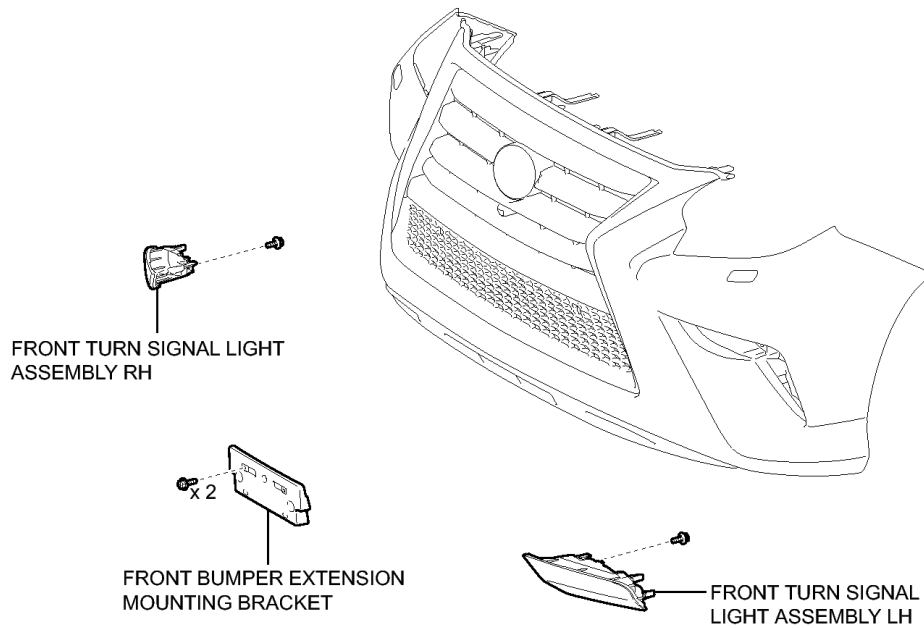
N*m (kgf*cm, ft.*lbf) : Specified torque

H

Fig. 3: Identifying Front Bumper Replacement Components With Torque Specifications (3 Of 7)

Courtesy of TOYOTA MOTOR SALES, U.S.A., INC.

ILLUSTRATION

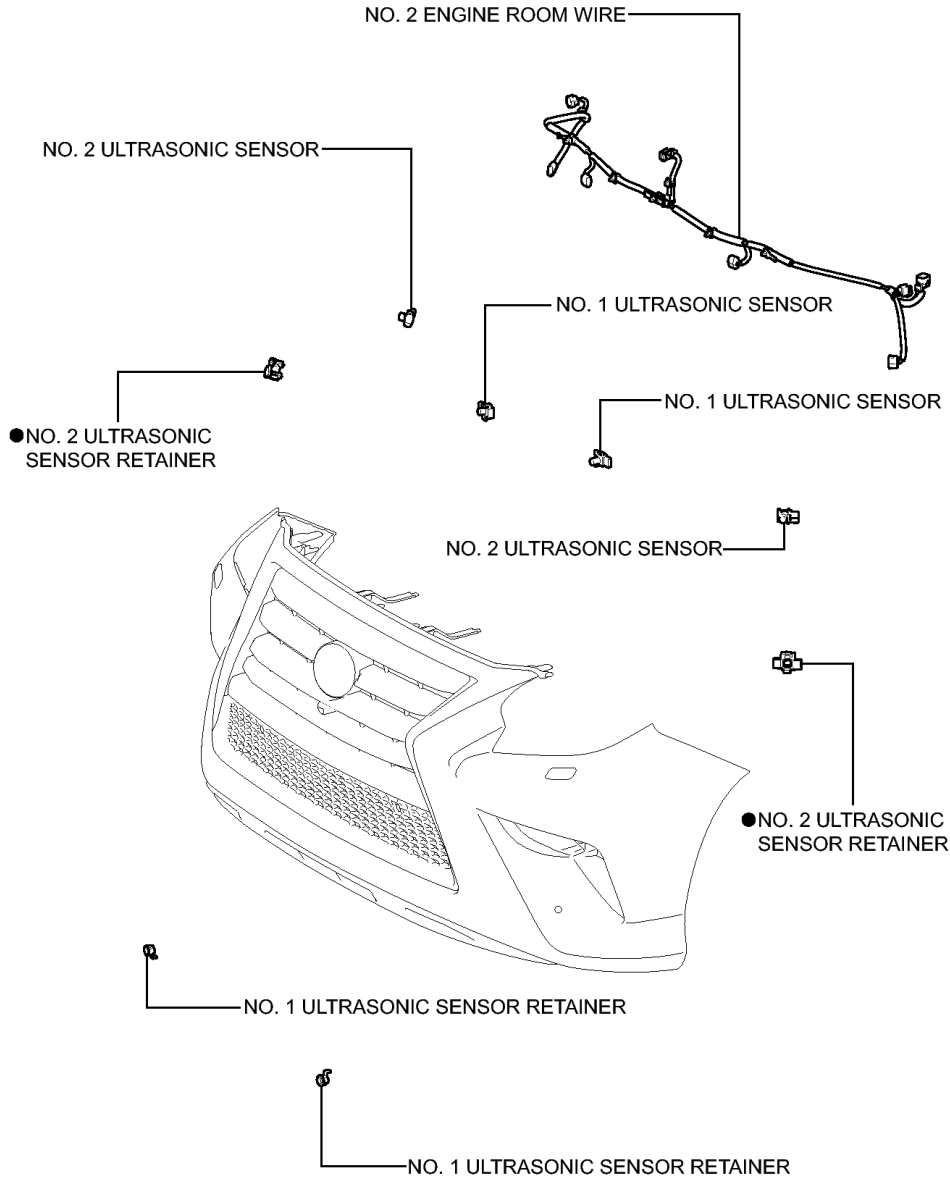


H

Fig. 4: Identifying Front Bumper Replacement Components (4 Of 7)
Courtesy of TOYOTA MOTOR SALES, U.S.A., INC.

ILLUSTRATION

w/ Intuitive Parking Assist System:



● Non-reusable part

H

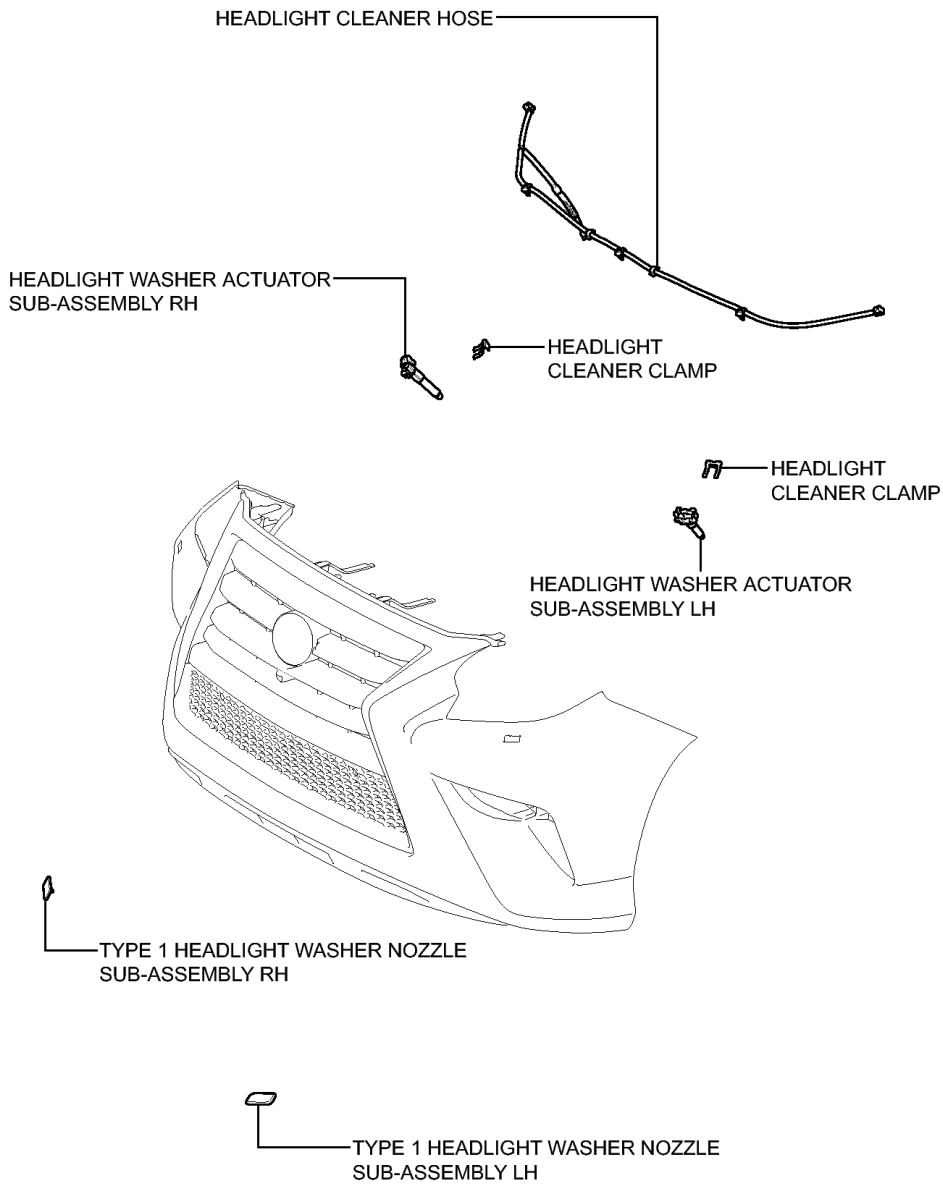
Fig. 5: Identifying Front Bumper Replacement Components (5 Of 7)
Courtesy of TOYOTA MOTOR SALES, U.S.A., INC.

ILLUSTRATION

2014 Lexus GX 460 Luxury

2014 ACCESSORIES & EQUIPMENT Exterior Panels / Trim (Service Information) - GX460

w/ Headlight Cleaner System:



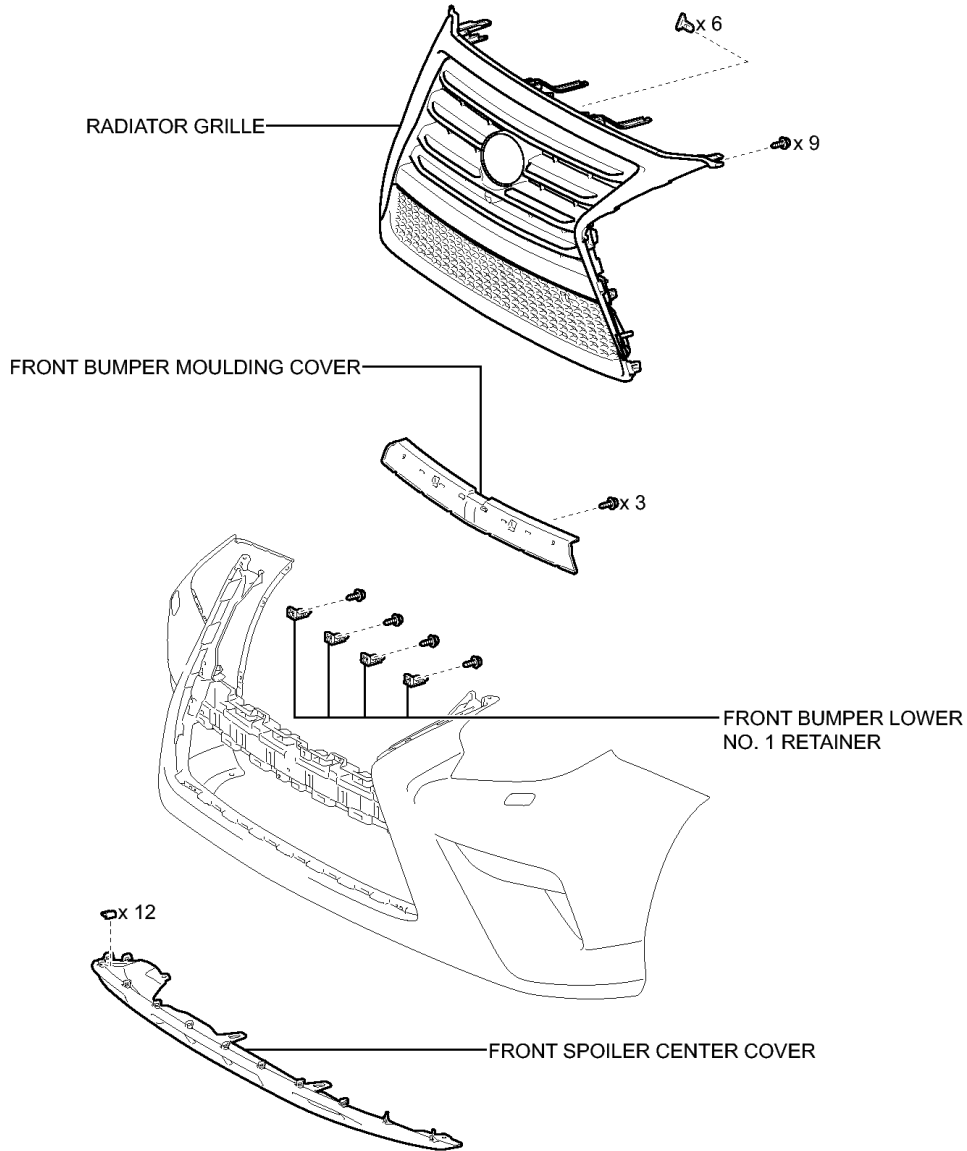
H

Fig. 6: Identifying Front Bumper Replacement Components (6 Of 7)
Courtesy of TOYOTA MOTOR SALES, U.S.A., INC.

ILLUSTRATION

2014 Lexus GX 460 Luxury

2014 ACCESSORIES & EQUIPMENT Exterior Panels / Trim (Service Information) - GX460



H

Fig. 7: Identifying Front Bumper Replacement Components (7 Of 7)
Courtesy of TOYOTA MOTOR SALES, U.S.A., INC.

REMOVAL [08/2013 -]

REMOVAL [08/2013 -]

1. PRECAUTION

NOTE: After turning the engine switch off, waiting time may be required before disconnecting the cable from the battery terminal. Therefore, make sure to read the disconnecting the cable from the battery terminal notice before proceeding with work. Refer to PRECAUTION [08/2013 -].

2. DISCONNECT CABLE FROM NEGATIVE BATTERY TERMINAL

NOTE: When disconnecting the cable, some systems need to be initialized after the cable is reconnected. Refer to INITIALIZATION [08/2013 -].

3. REMOVE UPPER RADIATOR SUPPORT SEAL

- a. Remove the 14 clips and upper radiator support seal.

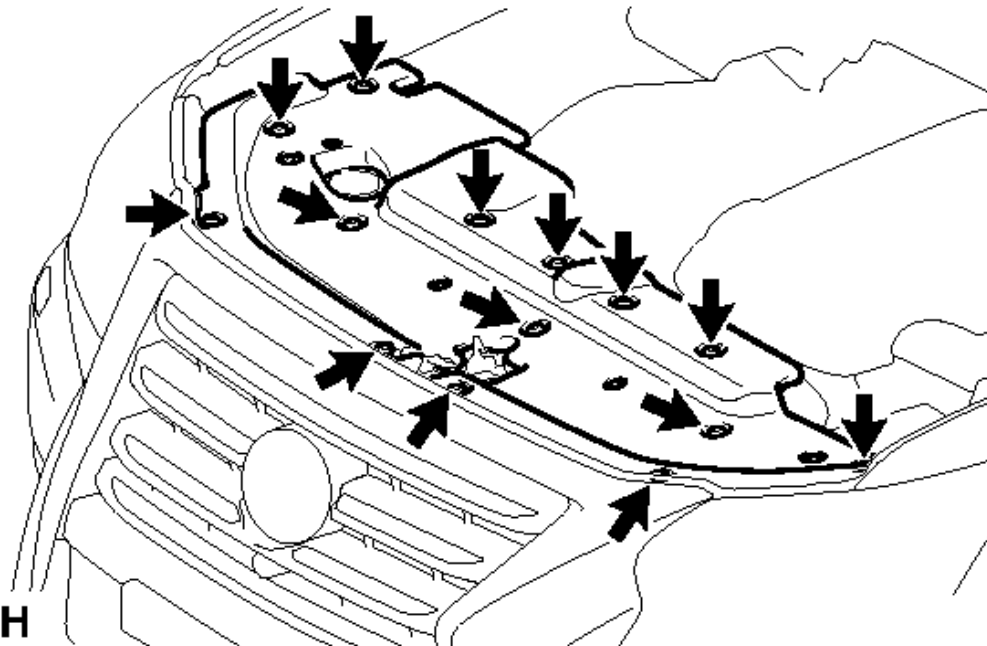
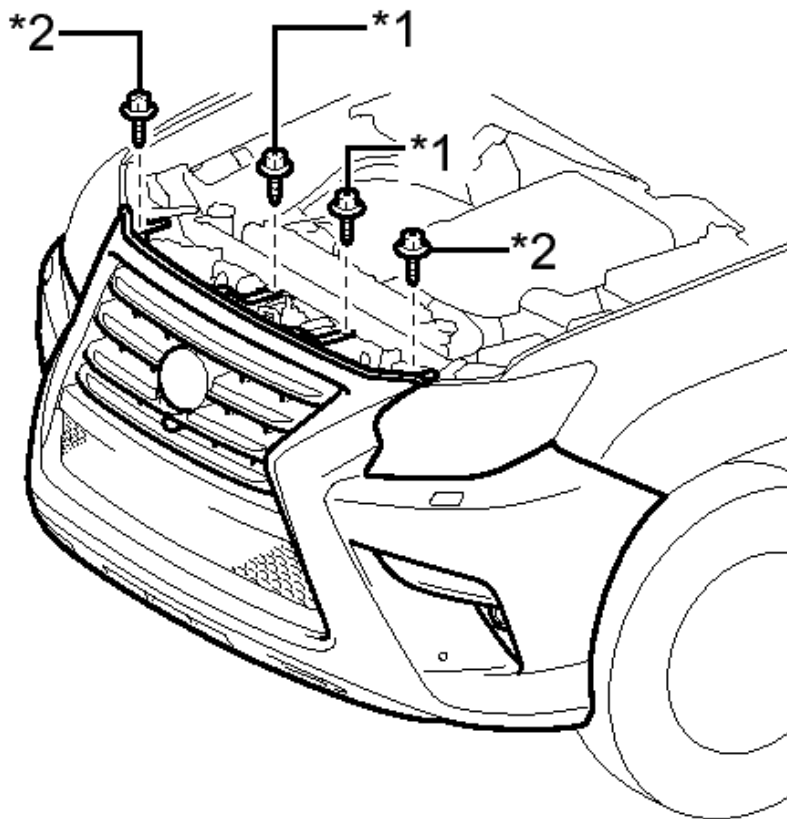


Fig. 8: Identifying Upper Radiator Support Seal Clips
Courtesy of TOYOTA MOTOR SALES, U.S.A., INC.

4. REMOVE FRONT BUMPER COVER

- a. Remove the 2 screws labeled A and 2 screws labeled B.



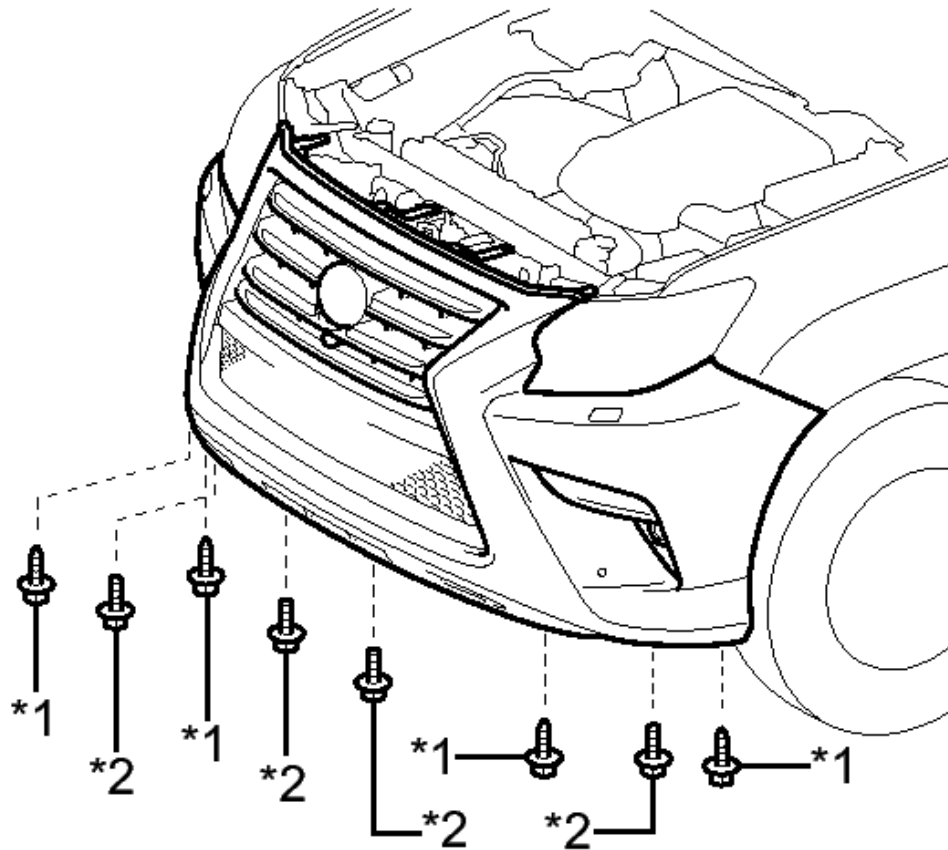
H

Fig. 9: Identifying Front Bumper Cover Screws
 Courtesy of TOYOTA MOTOR SALES, U.S.A., INC.

TEXT IN ILLUSTRATION

*1	Screw A
*2	Screw B

- b. Remove the 4 screws and 4 bolts.



H

Fig. 10: Identifying Front Bumper Cover Screws & Bolts
 Courtesy of TOYOTA MOTOR SALES, U.S.A., INC.

TEXT IN ILLUSTRATION

*1	Screw
*2	Bolt

c. Remove the 4 screws.

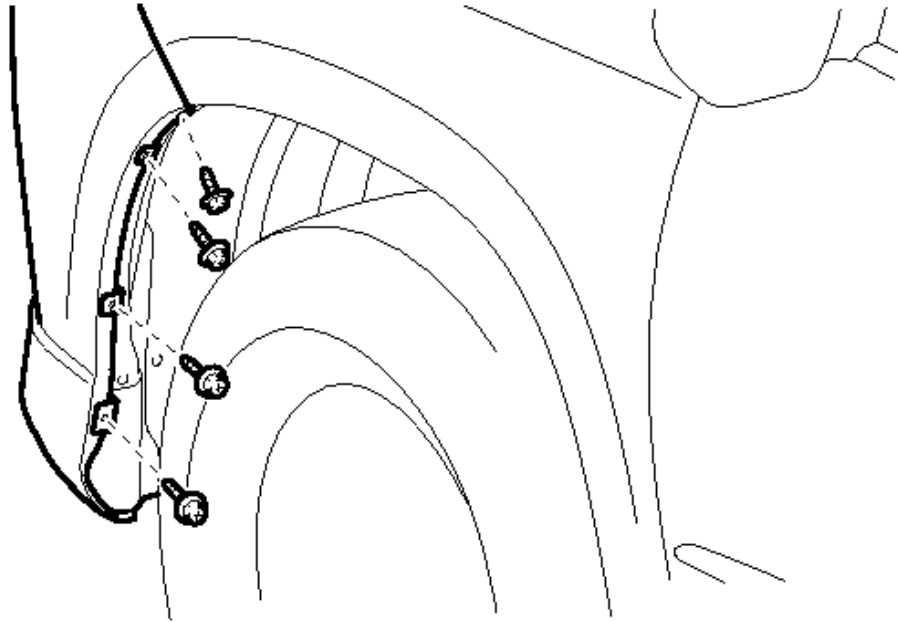
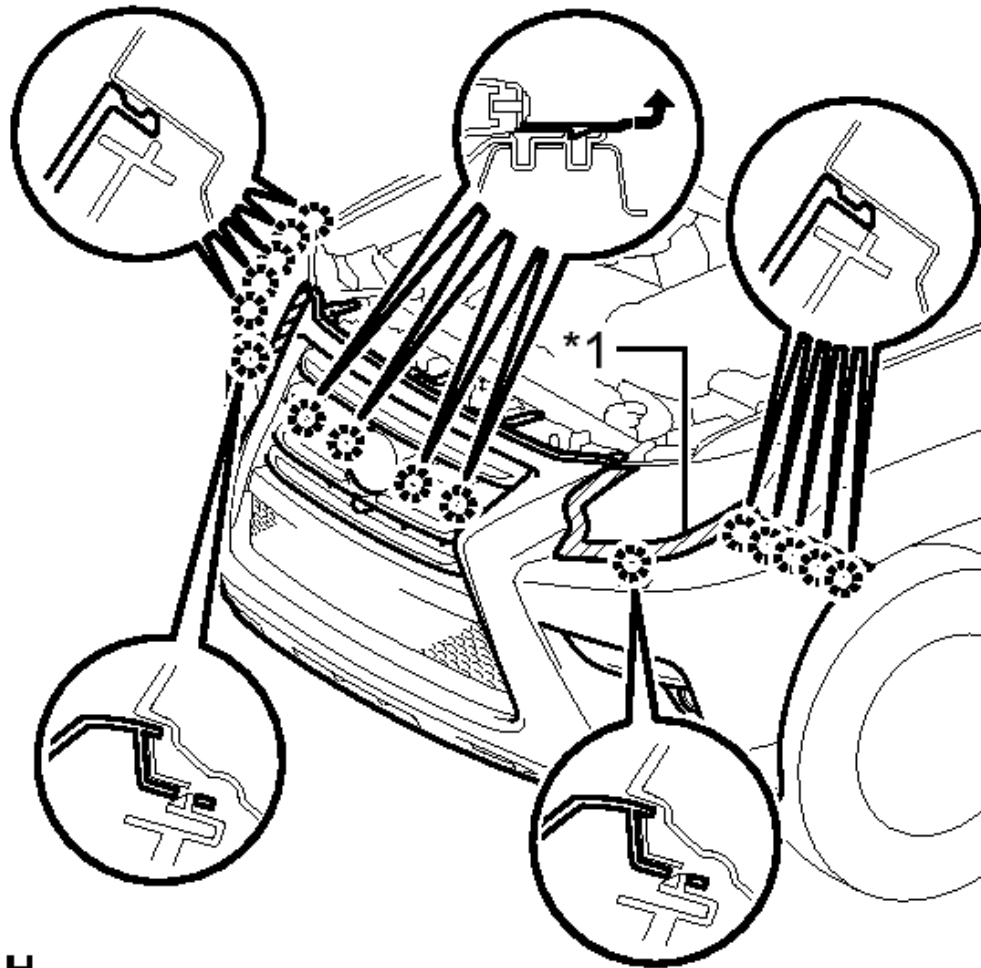


Fig. 11: Identifying Front Bumper Cover Screws
Courtesy of TOYOTA MOTOR SALES, U.S.A., INC.

HINT:

Use the same procedure for the RH and LH sides.

- d. Put protective tape around the front bumper cover.



H

Fig. 12: Identifying Front Bumper Cover Protective Tape & Claws
 Courtesy of TOYOTA MOTOR SALES, U.S.A., INC.

TEXT IN ILLUSTRATION

*1	Protective Tape
----	-----------------

- e. Detach the 16 claws and remove the front bumper cover.
- f. w/ Intuitive Parking Assist System:
 Disconnect the connector.
- g. w/ Headlight Cleaner System:
 Disconnect the headlight cleaner hose.
- h. w/ Fog Light: