

# AUTOMATIC TRANSMISSION FLUID > REPLACEMENT

for Preparation [Click here](#)

## 1. REPLACE AUTOMATIC TRANSMISSION FLUID

a. Lift the vehicle. [\*1]

### NOTICE:

Set the vehicle on a lift so that the vehicle is kept level when it is lifted up (make sure that the tilt angle from the front to rear of the vehicle is within +/- 1°).

b. Remove the drain plug and gasket, and drain the ATF. [\*2]

c. Temporarily install the gasket and drain plug. [\*3]

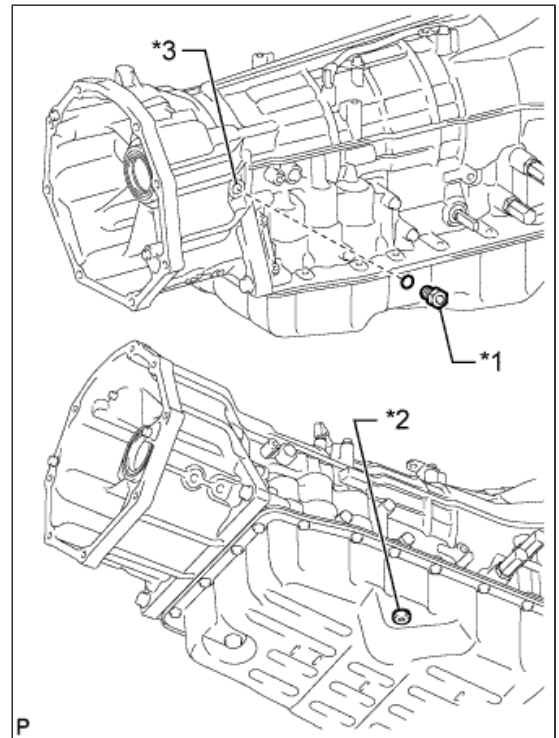
### HINT:

Reuse the old gasket. The plug will be removed again to adjust the fluid level.

d. Remove the refill plug and overflow plug. [\*4]

### Text in Illustration

*1	Refill Plug
*2	Overflow Plug
*3	Refill Hole



e. Add fluid to the refill hole until it flows out of the overflow plug hole. [\*5]

### Text in Illustration

*1	Overflow Tube
*a	Specified Fluid Level

### NOTICE:

Use Toyota Genuine ATF WS.

- f. Wait until the fluid flow slows and only drops come out. [\*6]
- g. Temporarily install the gasket and overflow plug. [\*7]

**HINT:**

Reuse the old gasket. The plug will be removed again to adjust the fluid level.

- h. Add fluid to the refill hole using the amount of fluid specified for removal and installation of the oil pan. [\*8]

**HINT:**

Specified amount of fluid is 1.7 liters (1.8 US qts, 1.5 Imp. qts).

- i. Temporarily install the gasket and refill plug to avoid fluid spillage. [\*9]

**HINT:**

Reuse the old gasket. The plug will be removed again to adjust the fluid level.

- j. Lower the vehicle. [\*10]

- k. Start the engine. [\*11]

**NOTICE:**

Make sure that the A/C switch is off.

- l. Slowly move the shift lever from P to S, and then back to P. [\*12]

- m. Allow the engine to idle for 30 seconds to warm it up. [\*13]

- n. Turn the engine switch off. [\*14]

- o. Repeat steps [\*1] to [\*14].

- p. Repeat steps [\*1] to [\*2].

- q. Install a new gasket and the drain plug.

**Torque:**

**20 N\*m{ 204 kgf\*cm , 15 ft.\*lbf }**

- r. Repeat steps [\*4] to [\*10].

- s. Adjust the fluid level ([Click here](#)).

- t. Lower the vehicle.

- u. Operation complete.

