

## OUTER REAR VIEW MIRROR > REMOVAL

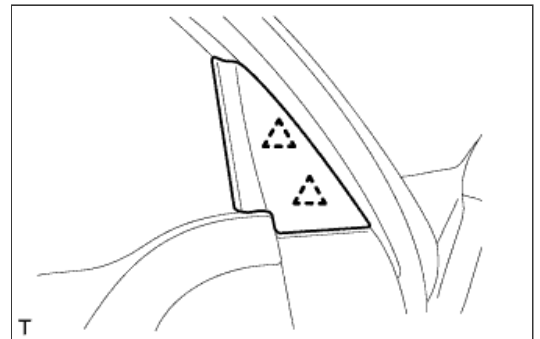
for Preparation [Click here](#)

### HINT:

- Use the same procedure for the RH and LH sides.
- The procedure listed below is for the LH side.

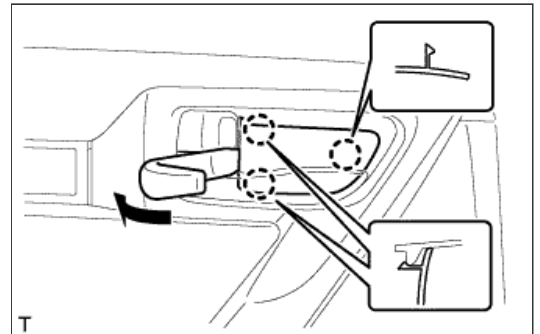
### 1. REMOVE FRONT DOOR LOWER FRAME BRACKET GARNISH LH

- a. Detach the 2 clips and remove the front door lower frame bracket garnish LH.



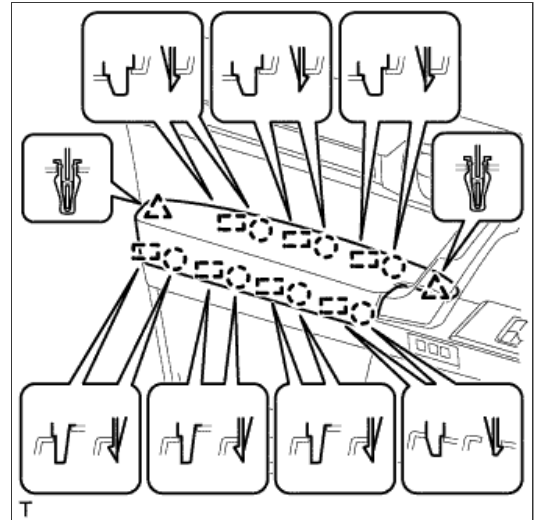
### 2. REMOVE FRONT DOOR INSIDE HANDLE BEZEL PLUG LH

- a. Using a moulding remover, detach the 3 claws and remove the inside handle bezel as shown in the illustration.



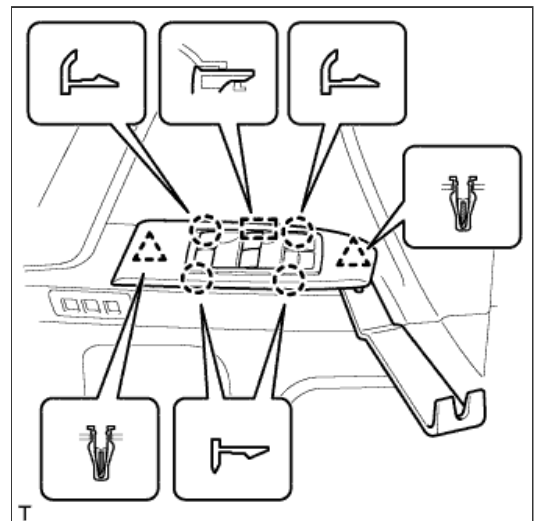
### 3. REMOVE FRONT ARMREST ASSEMBLY LH

- a. Using moulding remover B, detach the 7 claws and 7 guides, and remove the front armrest assembly as shown in the illustration.



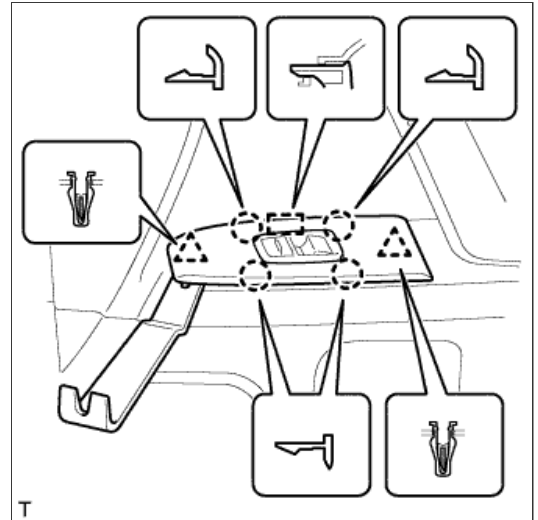
**4. REMOVE POWER WINDOW REGULATOR MASTER SWITCH ASSEMBLY WITH FRONT DOOR ARMREST BASE PANEL**

- a. Using a moulding remover B, detach the 2 clips, 4 claws and guide as shown in the illustration.
- b. Disconnect the connector and remove the power window regulator master switch assembly with front door armrest base panel.



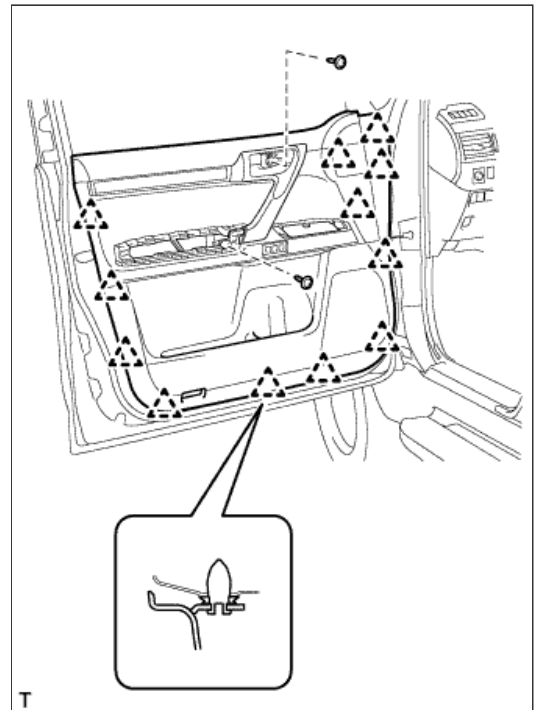
**5. REMOVE POWER WINDOW REGULATOR SWITCH ASSEMBLY WITH FRONT DOOR ARMREST BASE PANEL (for Front Passenger Side)**

- a. Using moulding remover B, detach the 2 clips, 4 claws and guide as shown in the illustration.
- b. Disconnect the connector and remove the power window regulator switch assembly with front door armrest base panel.



## 6. REMOVE FRONT DOOR TRIM BOARD SUB-ASSEMBLY LH

- a. Remove the 2 screws.
- b. Remove the 12 clips.

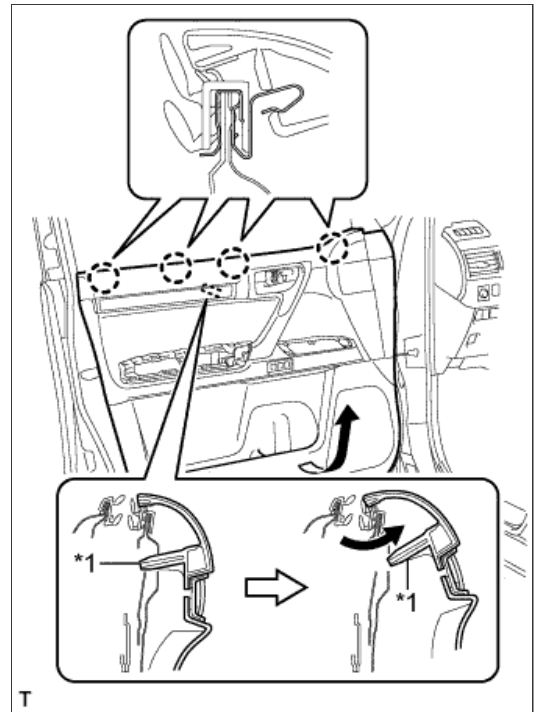


- c. Pull out the front door trim board sub-assembly in the direction indicated by the arrow in the illustration.

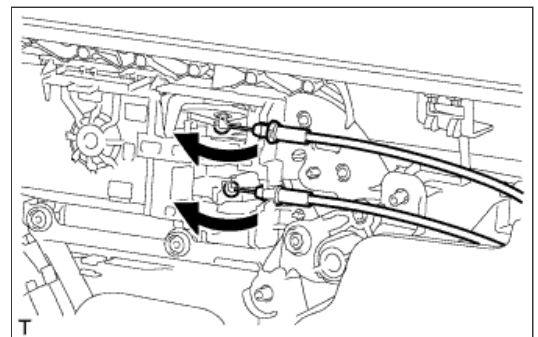
### Text in Illustration

*1	Reference Boss
----	----------------

- d. Raise the front door trim board sub-assembly to detach the 4 claws and remove the front door trim board sub-assembly together with the front door inner glass weatherstrip LH.
- e. Disconnect the 2 connectors.

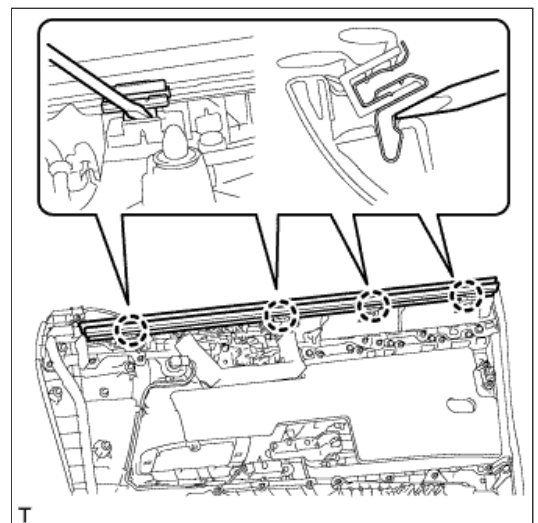


- f. Disconnect the front door lock remote control cable assembly and front door inside locking cable assembly.



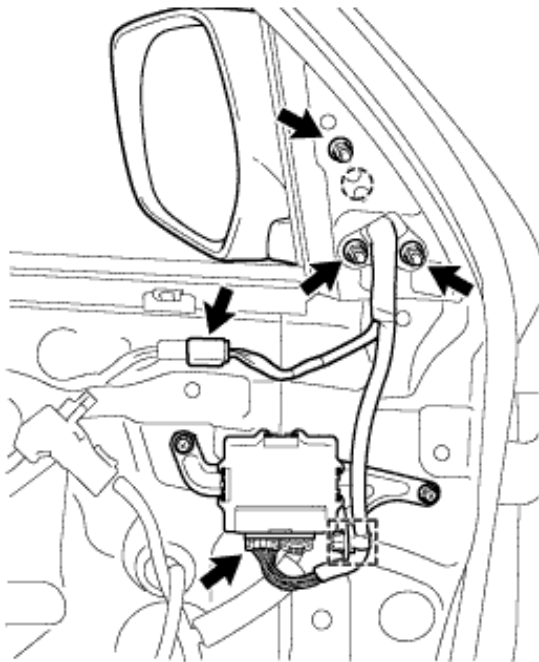
**7. REMOVE FRONT DOOR INNER GLASS WEATHERSTRIP LH**

- a. Using a screwdriver, detach the 4 claws and remove the front door inner glass weatherstrip from the front door trim board sub-assembly as shown in the illustration.

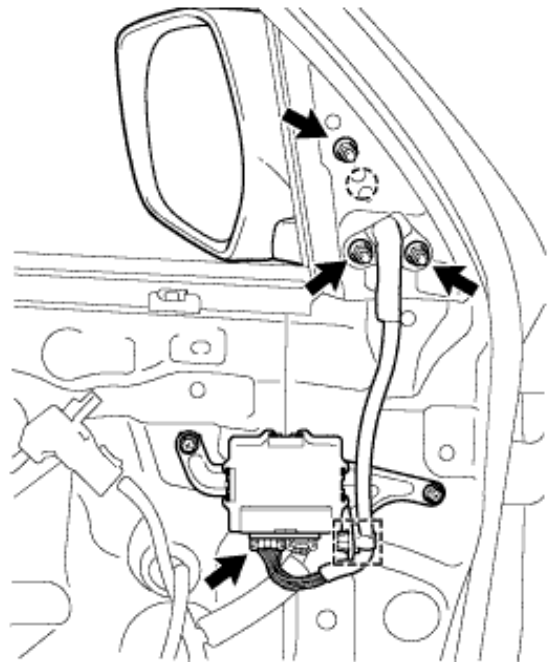


## 8. REMOVE OUTER REAR VIEW MIRROR ASSEMBLY LH

w/ Side Monitor System:



w/o Side Monitor System:



- a.** w/ Side Monitor System:  
Disconnect the 2 connectors and detach the clamp.
- b.** w/o Side Monitor System:  
Disconnect the connector and detach the clamp.
- c.** Remove the 3 nuts.
- d.** Detach the claw and remove the outer rear view mirror.

