

WATER PUMP > INSTALLATION

for Preparation [Click here](#)

1. INSTALL WATER PUMP ASSEMBLY

- a. Install a new gasket and the water pump with the 8 bolts shown in the illustration.

Torque:

for bolt A:

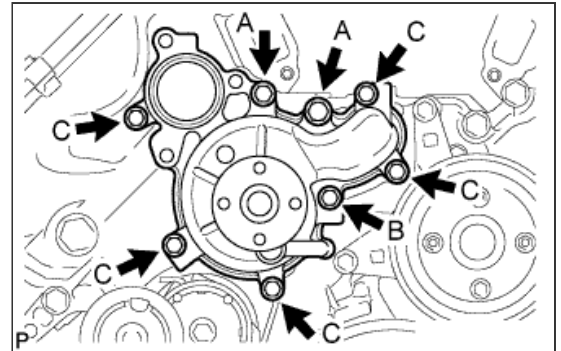
47 N*m { 479 kgf*cm , 35 ft.*lbf }

for bolt B:

23 N*m { 235 kgf*cm , 17 ft.*lbf }

for bolt C:

20 N*m { 204 kgf*cm , 15 ft.*lbf }



2. INSTALL WATER PUMP PULLEY

- a. Temporarily install the water pump pulley with the 4 bolts.

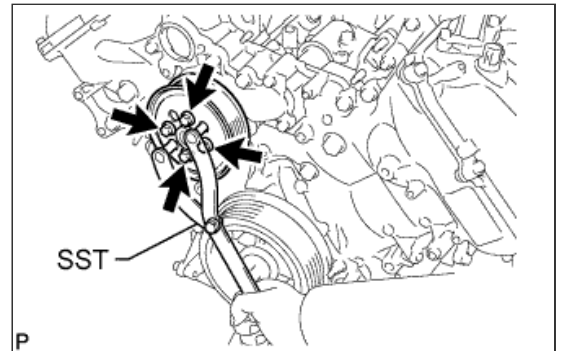
- b. Using SST, hold the water pump pulley and tighten the 4 bolts.

SST

09960-10010 (09962-01000, 09963-01000)

Torque:

21 N*m { 214 kgf*cm , 15 ft.*lbf }



3. INSTALL WATER INLET HOUSING

- a. Install a new gasket to the water pump.
- b. Install the water inlet housing with the 3 bolts.

Torque:

21 N*m { 214 kgf*cm , 15 ft.*lbf }

4. CONNECT NO. 5 WATER BY-PASS HOSE

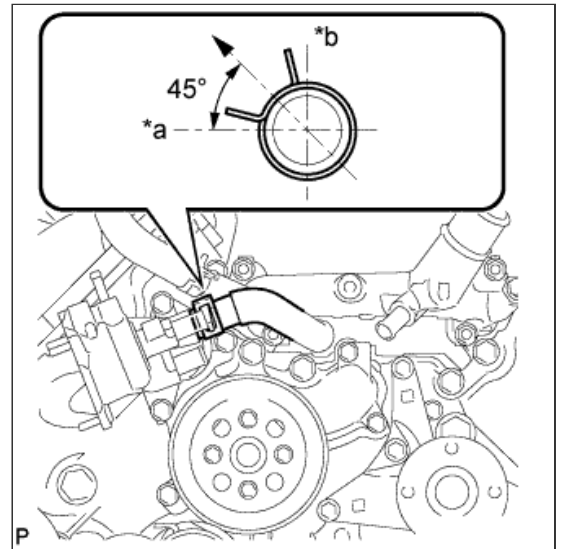
- a. Connect the No. 5 water by-pass hose.

Text in Illustration

*a	Front
*b	Upper Side

HINT:

The direction of the hose clip is indicated in the illustration.



5. CONNECT NO. 8 WATER BY-PASS HOSE

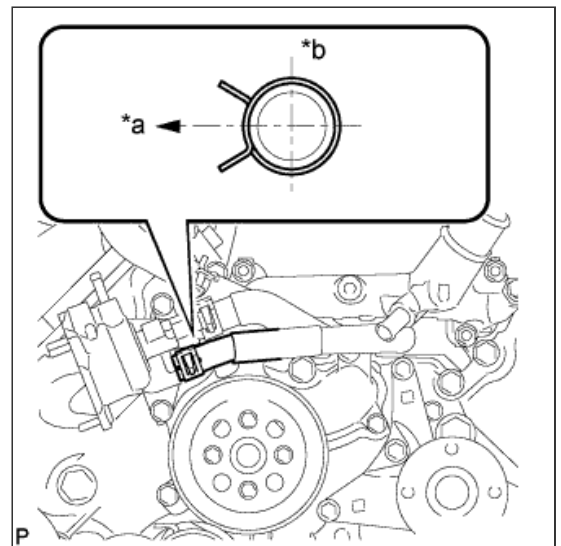
- a. Connect the No. 8 water by-pass hose.

Text in Illustration

*a	Front
*b	Upper Side

HINT:

The direction of the hose clip is indicated in the illustration.



6. INSTALL NO. 1 WATER BY-PASS HOSE

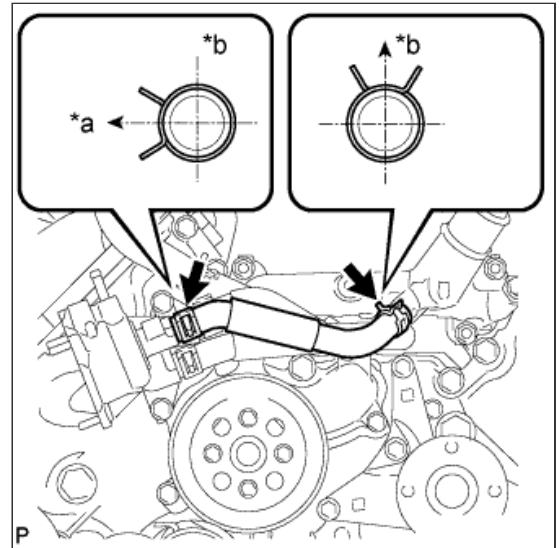
- a. Install the No. 1 water by-pass hose.

Text in Illustration

*a	Front
*b	Upper Side

HINT:

The direction of the hose clip is indicated in the illustration.



7. INSTALL FAN SHROUD

- a. Install the fan pulley to the water pump.
- b. Place the fan shroud together with the fluid coupling between the radiator and engine.

NOTICE:

Be careful not to damage the radiator core.

- c. Temporarily install the fluid coupling to the water pump with the 4 nuts. Tighten the nuts as much as possible by hand.

- d. Set the fan shroud on the radiator as shown in the illustration.
- e. Install the shroud with the 2 bolts.

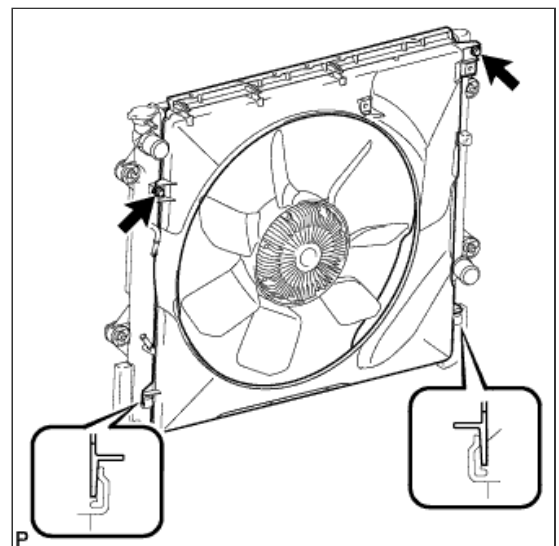
Torque:

5.0 N*m { 51 kgf*cm , 44 in.*lbf }

- f. Install the fan and generator V-ribbed belt ([Click here](#)).
- g. Tighten the 4 nuts of the fluid coupling.

Torque:

21 N*m { 214 kgf*cm , 15 ft.*lbf }



8. INSTALL NO. 1 RADIATOR HOSE

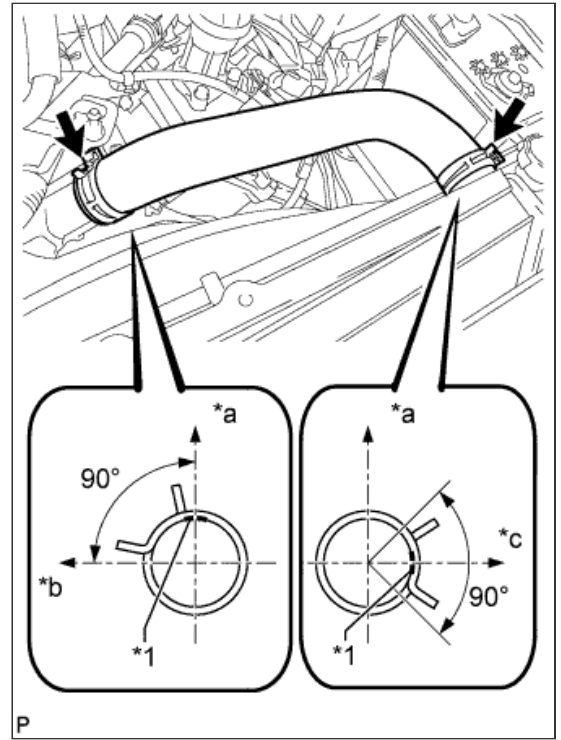
- a. Install the No. 1 radiator hose.

Text in Illustration

*1	Paint Mark
*a	Upper Side
*b	Rear
*c	LH Side

HINT:

When connecting the hoses, make sure the paint marks and clips are as shown in the illustration.



9. INSTALL WATER INLET SUB-ASSEMBLY WITH THERMOSTAT

- a. Install the water inlet with thermostat ([Click here](#)).

