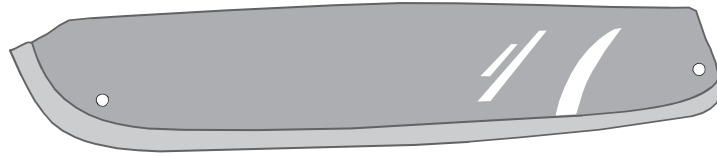


# Sunroof wind deflector INSTALLATION INSTRUCTIONS GX

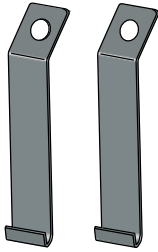
Model year	2009/11, 2013/08
Vehicle code	URJ150L-GKTZKW
Part number	PZ451-J8533-ZA

# Revision Record

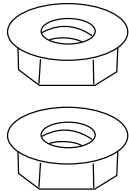
Rev. No.	Date	Page	Picture	Update	New	Deleted
1	08/07/2013	4	1		x	
		4	2	x		
		6	13		x	
		7	Check Sheet		x	

**A**

1x

**B**

1x

**C**

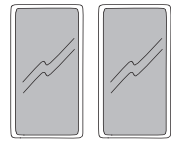
1x

**D**

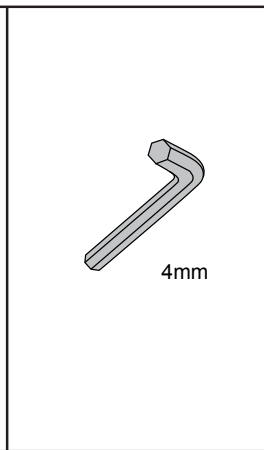
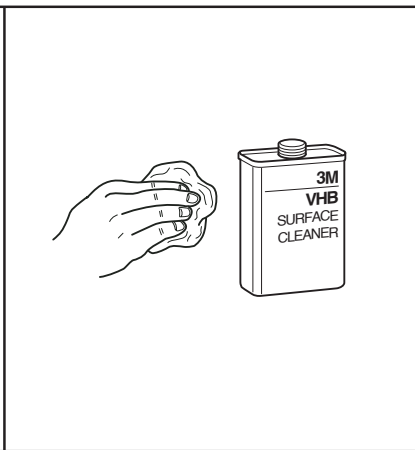
1x

**E**

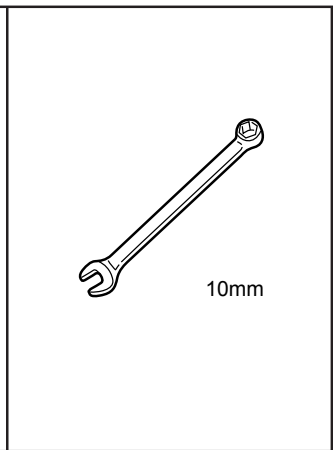
1x

**F**

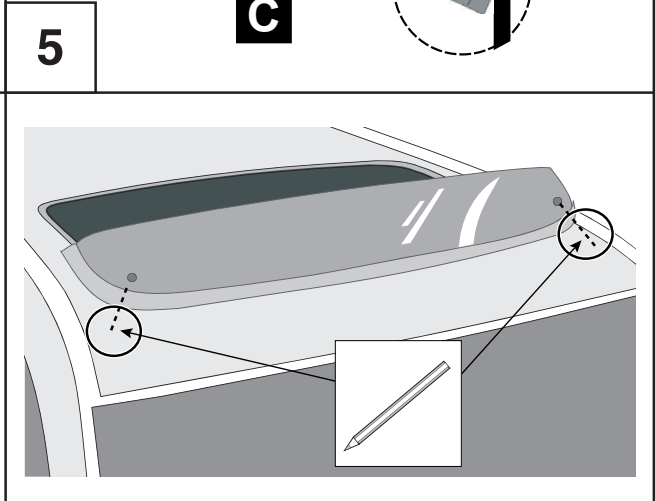
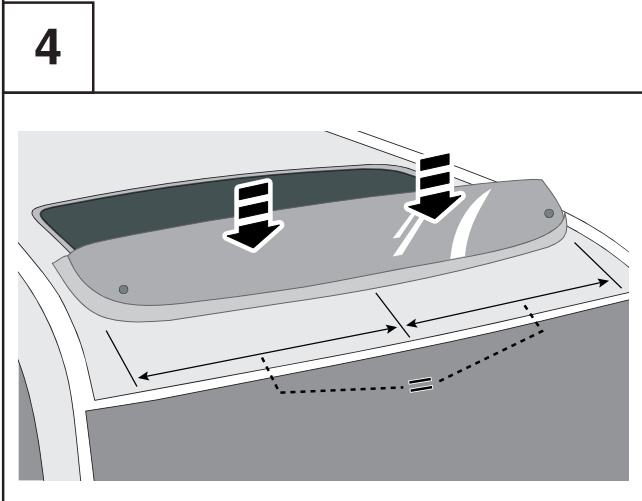
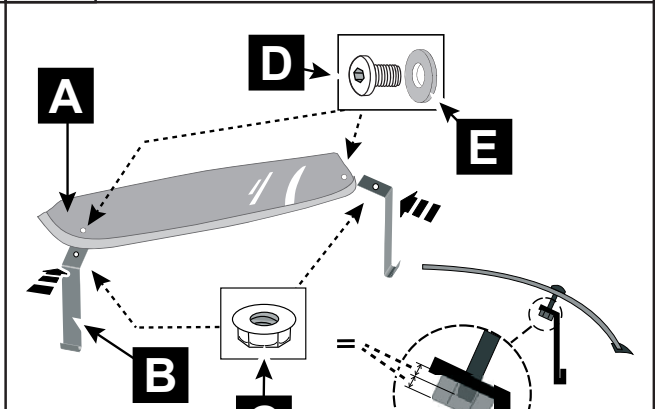
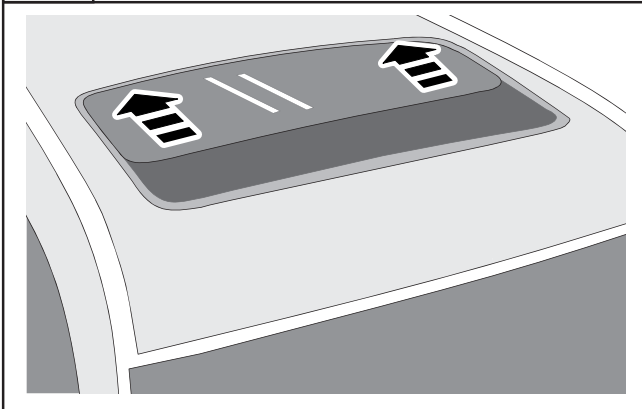
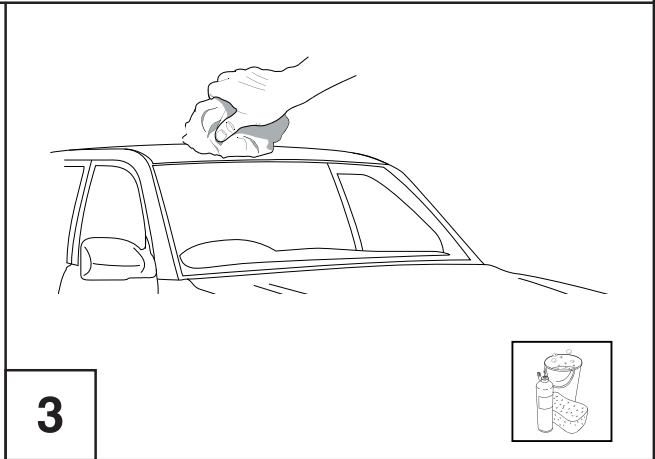
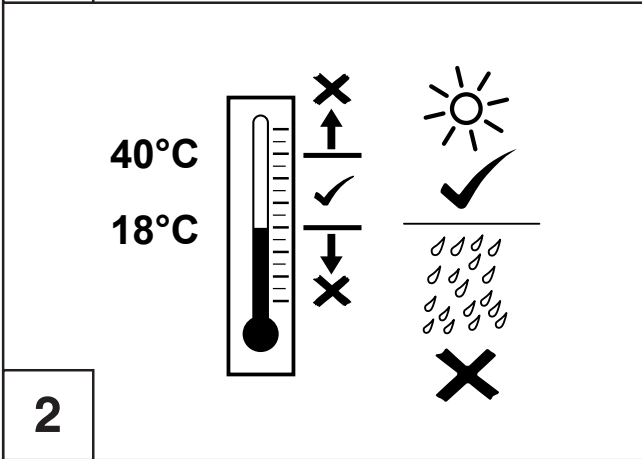
1x

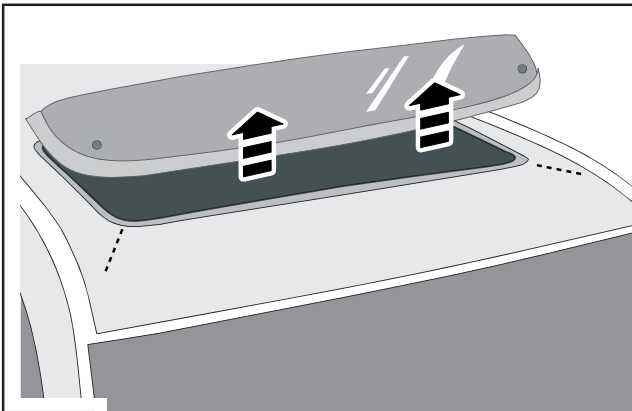


4mm

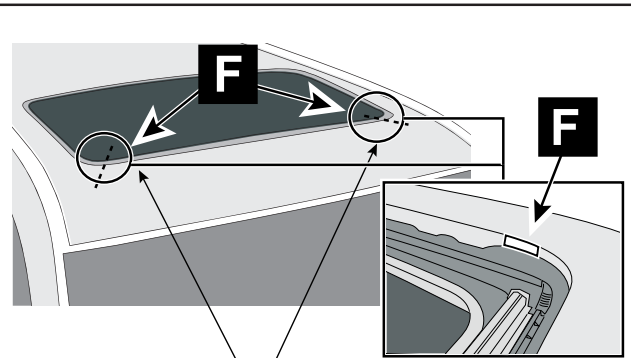


10mm

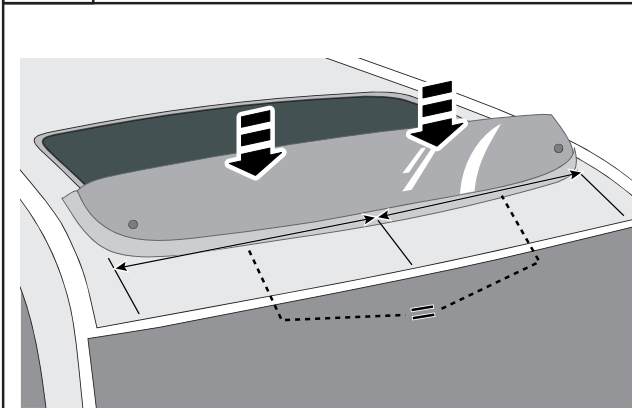
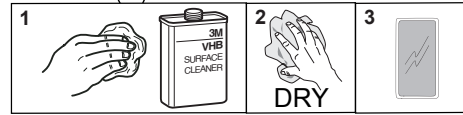




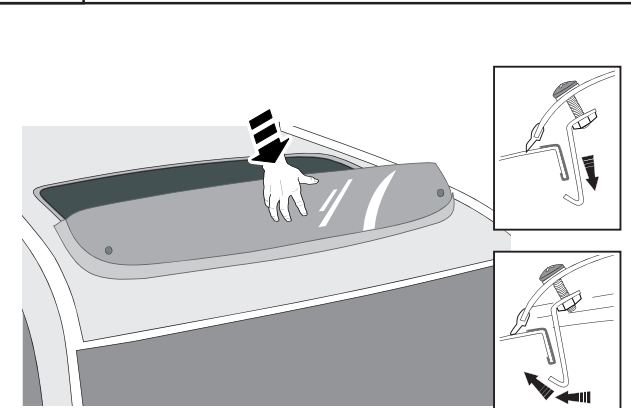
8



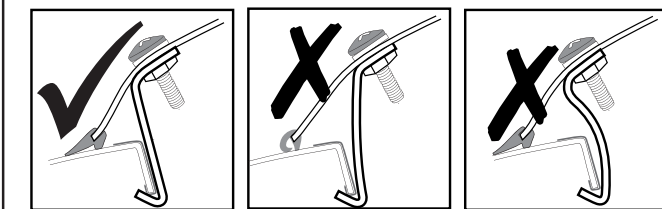
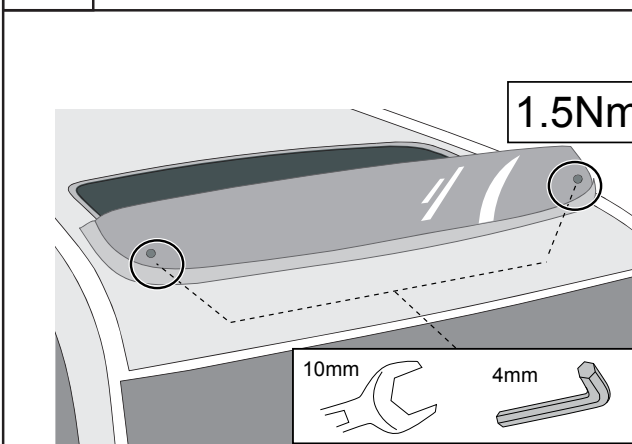
9



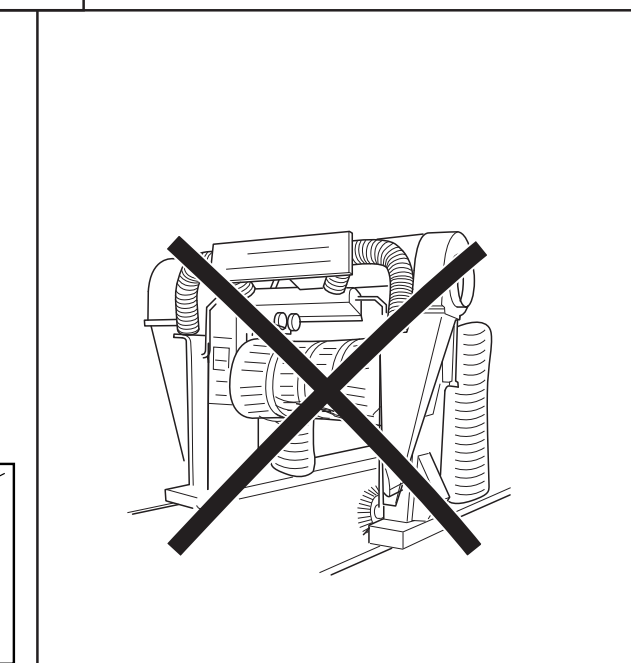
10



11



12



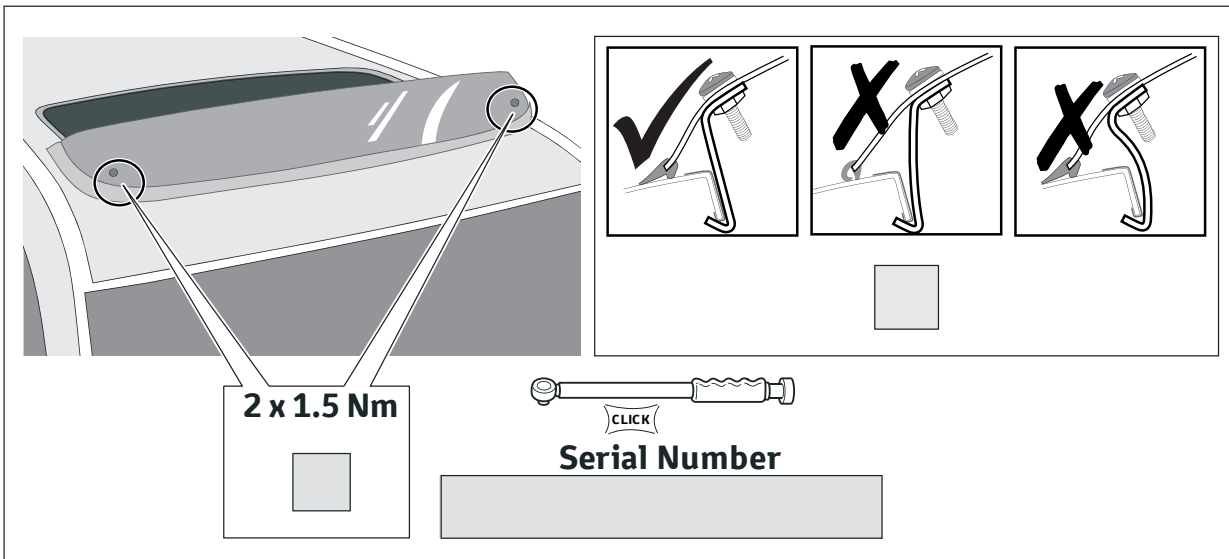
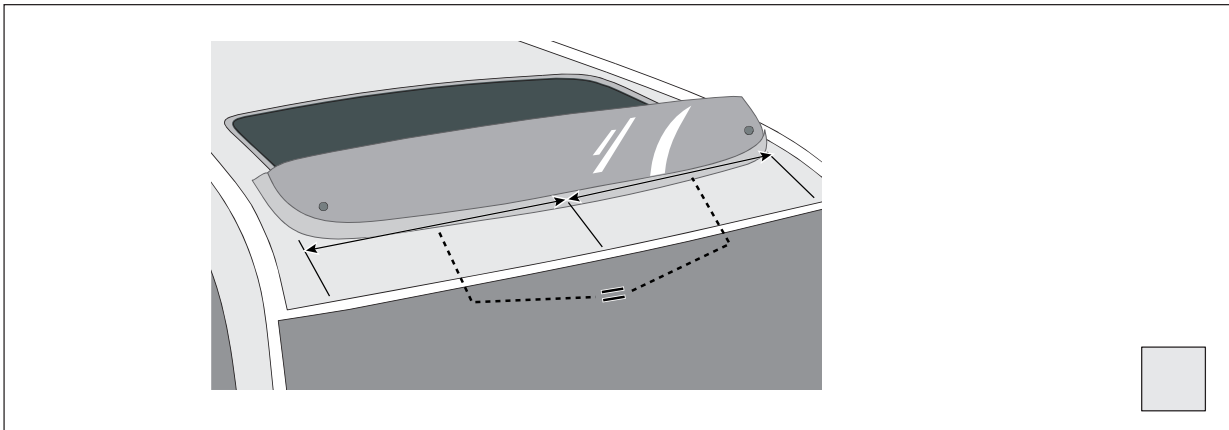
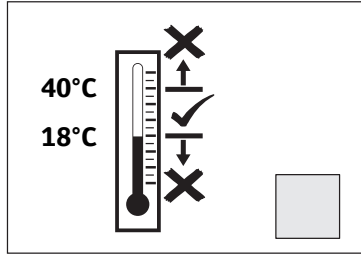
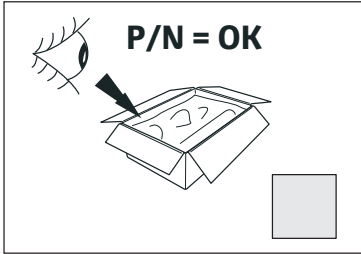
13

# CHECK SHEET



Model / Year      GX 2009/11, 2013/08      Sunroof wind deflector

VIN n°



Installation Date:  
... / ... / ...

Technician Name & Signature:

Stamp: