




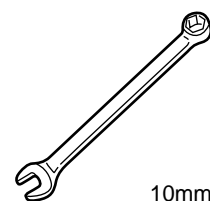
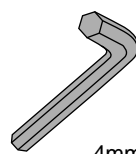
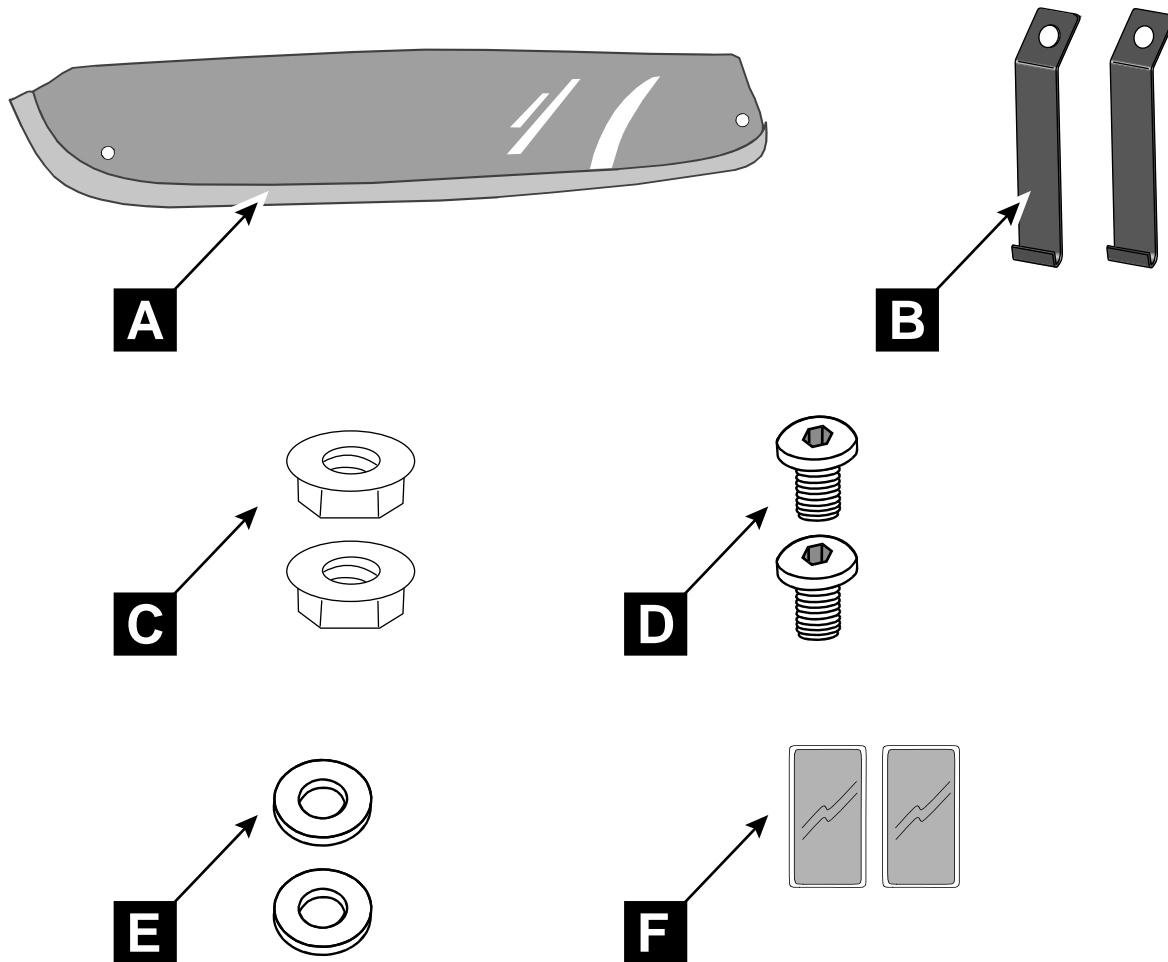
Land Cruiser V8

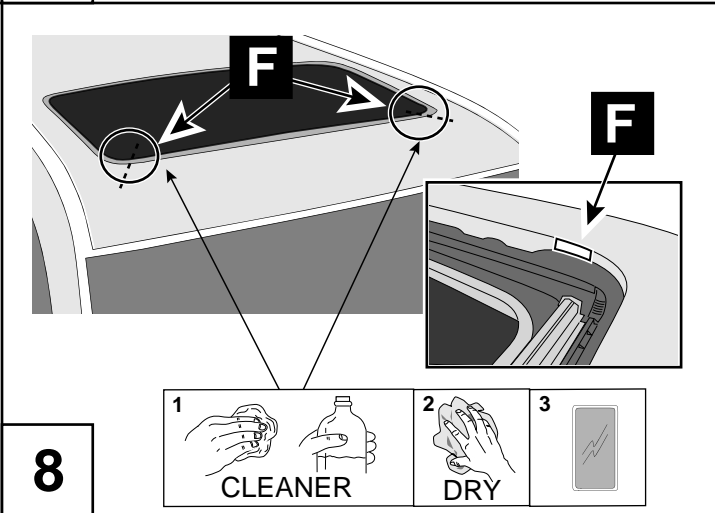
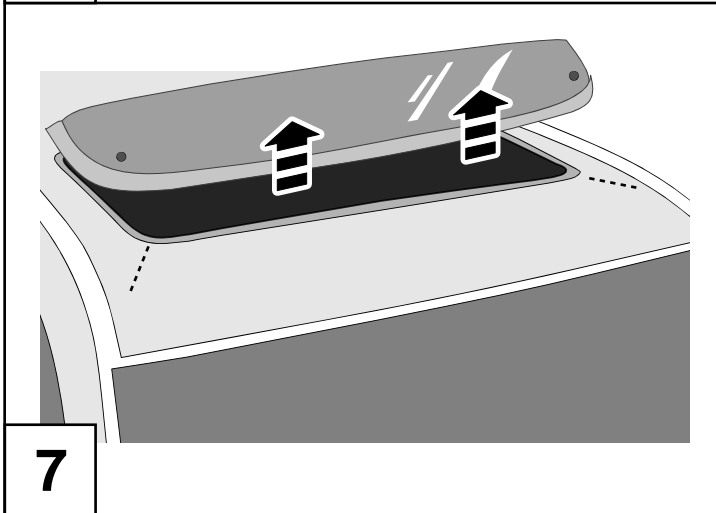
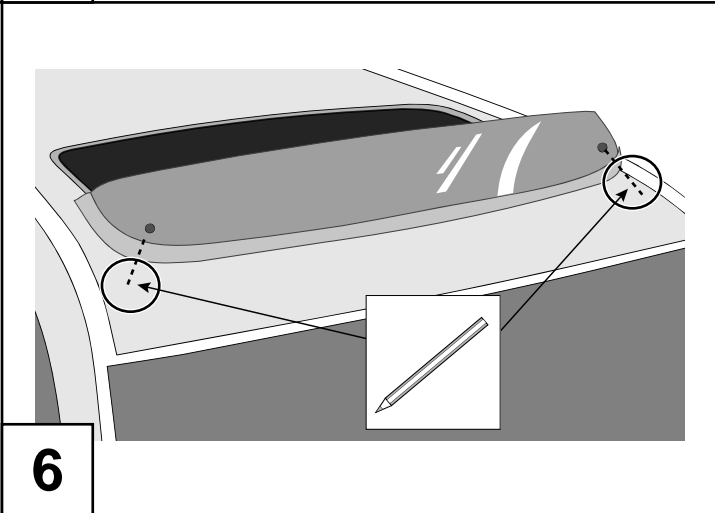
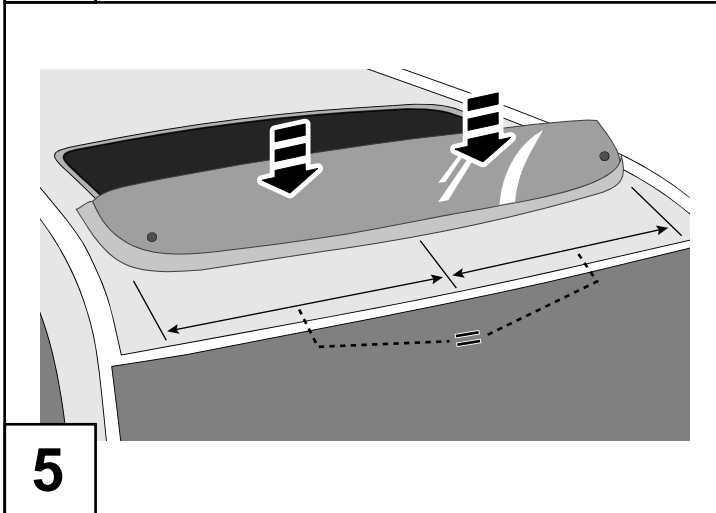
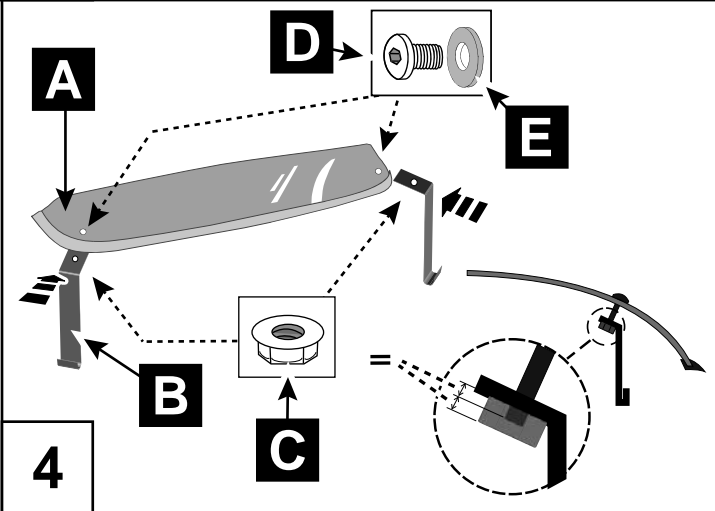
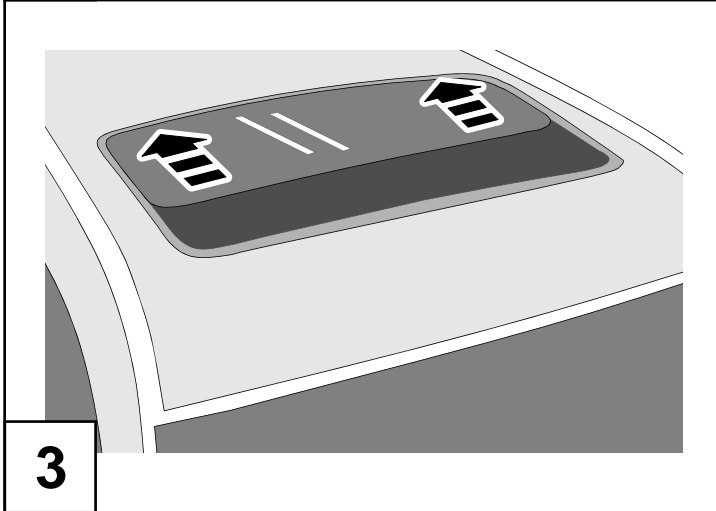
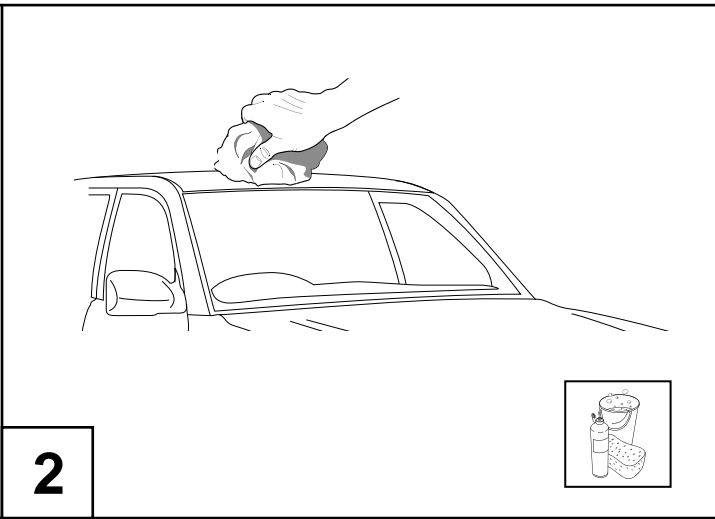
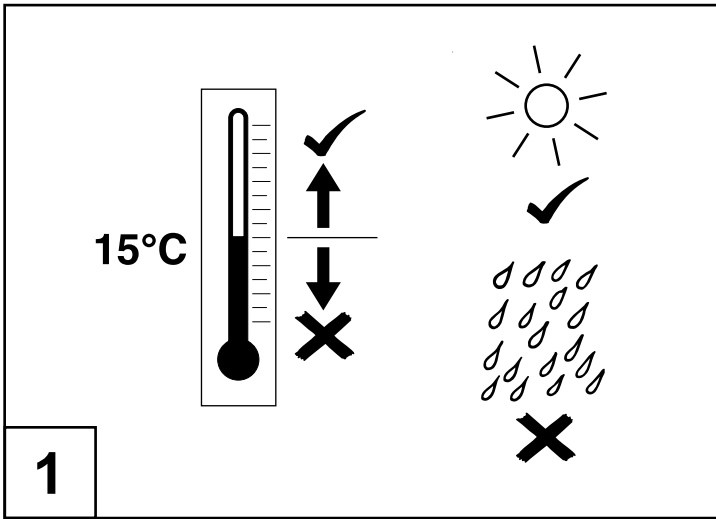
Sunroof Wind Deflector

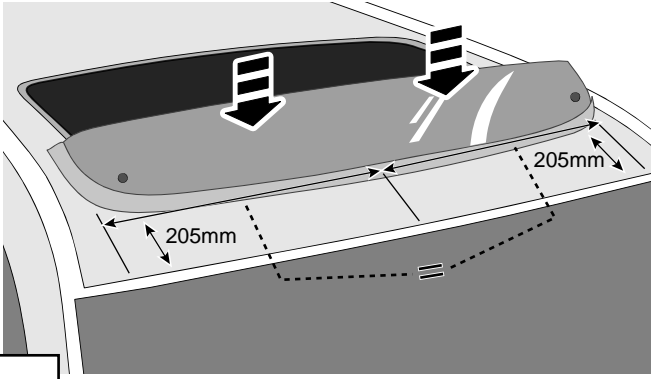
Installation instructions

Model year: 08/2007
Vehicle code: **J200*-G**E*W
Part number: PZ451-70531-ZA
 Weight: 0.5 kg

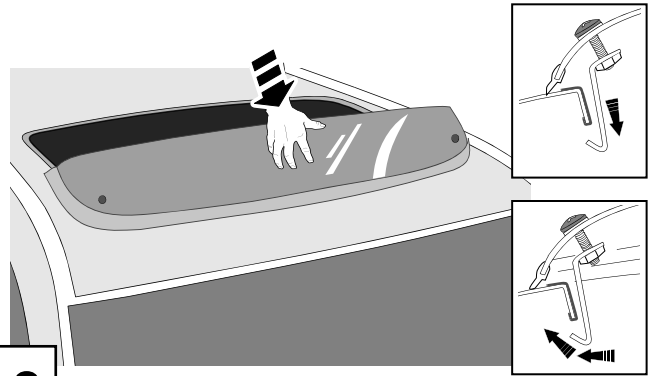
Manual reference number: AIM 000 990



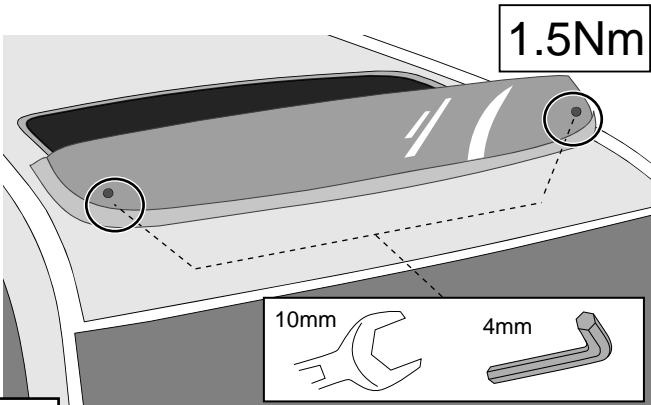




9



10



11

