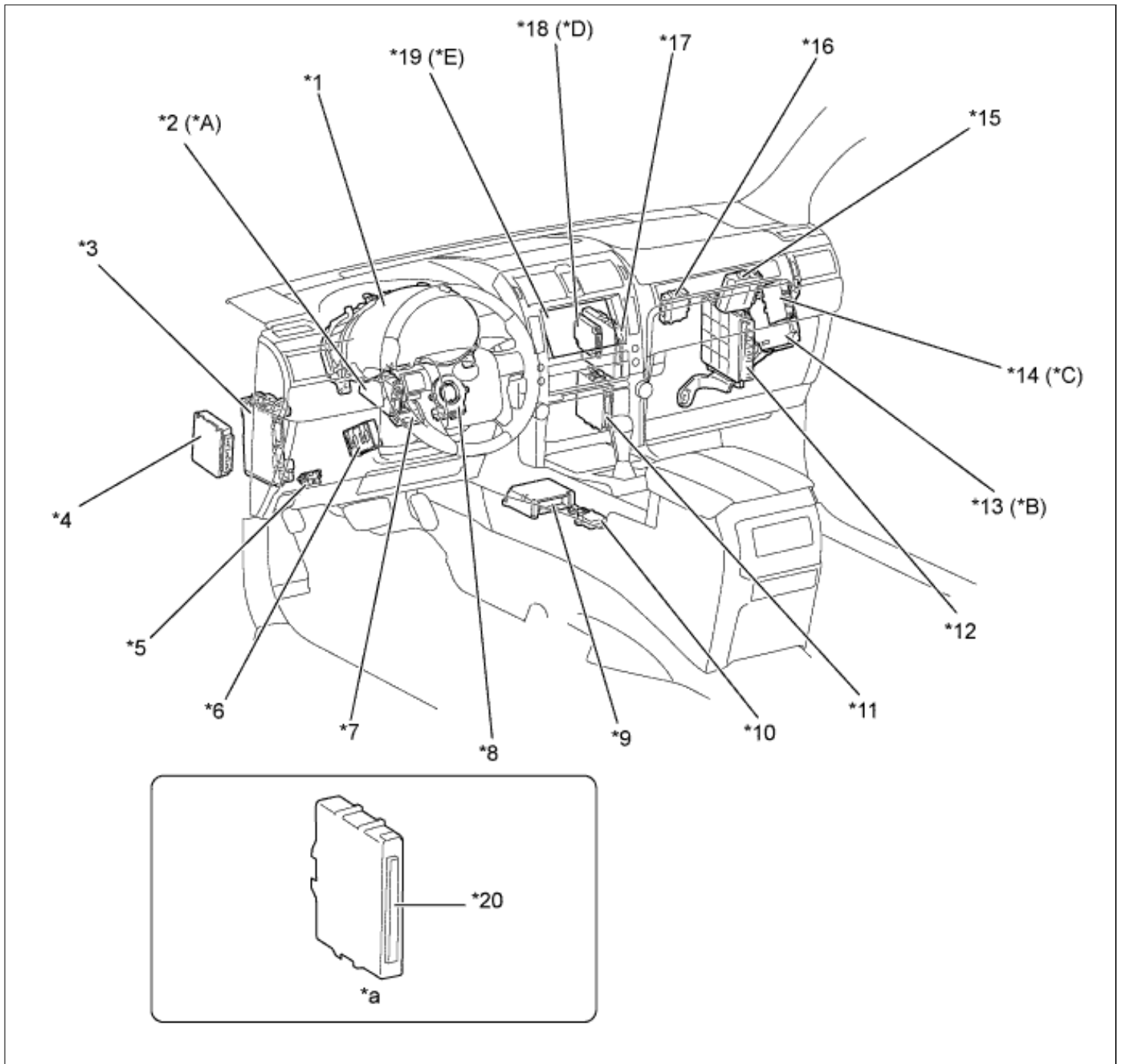


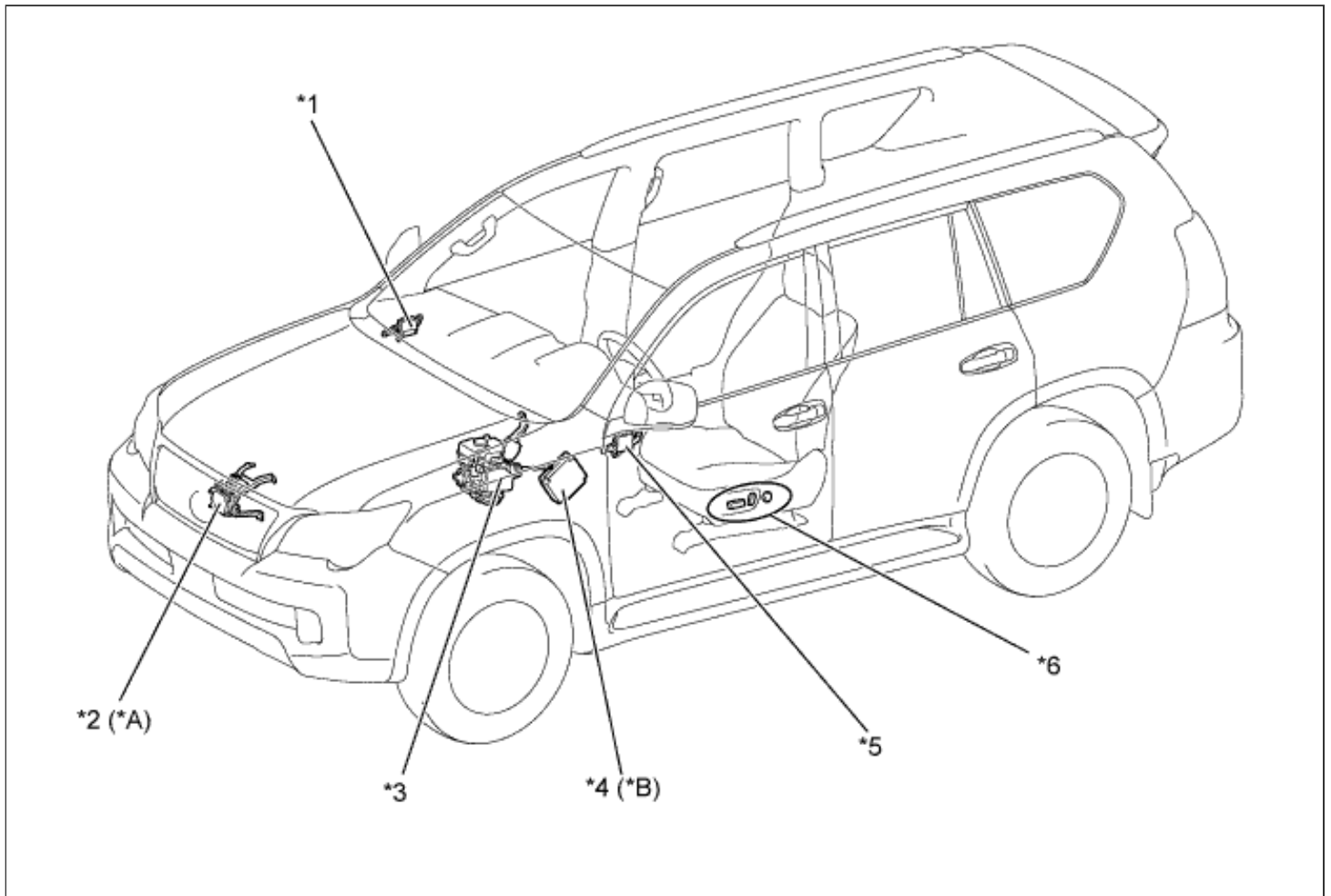
## CAN COMMUNICATION SYSTEM > PARTS LOCATION



### Text in Illustration

*A	Models with Pre-crash Safety System	*B	Models with Parking Assist Monitor System or Wide View Front and Side Monitor System
*C	Models with LEXUS Parking Assist-sensor System	*D	Models with Dynamic Radar Cruise Control System
*E	Models with Navigation System	-	-
*1	Combination Meter Assembly	*2	Seat Belt Control ECU

*3	Main Body ECU (Driver Side Junction Block Assembly)	*4	Suspension Control ECU
*5	DLC3	*6	Multiplex Tilt and Telescopic ECU
*7	Stabilizer Control ECU	*8	Steering Angle Sensor
*9	Center Airbag Sensor Assembly	*10	Yaw Rate Sensor
*11	Air Conditioning Amplifier Assembly	*12	ECM
*13	Parking Assist ECU	*14	Clearance Warning ECU Assembly
*15	4WD Control ECU	*16	Driving Support Switch Control ECU
*17	Power Management Control ECU	*18	Driving Support ECU Assembly
*19	Display and Navigation Module Display	*20	Certification ECU
*a	Refer to the Service Bulletin for the installation of the part.	-	-



**Text in Illustration**

*A	Models with Radar Cruise Control System	*B	Models with Intelligent Adaptive Front-lighting System (AFS)
*1	Outer Mirror Control ECU Assembly RH	*2	Millimeter Wave Radar Sensor Assembly
*3	Skid Control ECU	*4	AFS ECU (Headlight Swivel ECU Assembly)
*5	Outer Mirror Control ECU Assembly LH	*6	Position Control ECU Assembly

