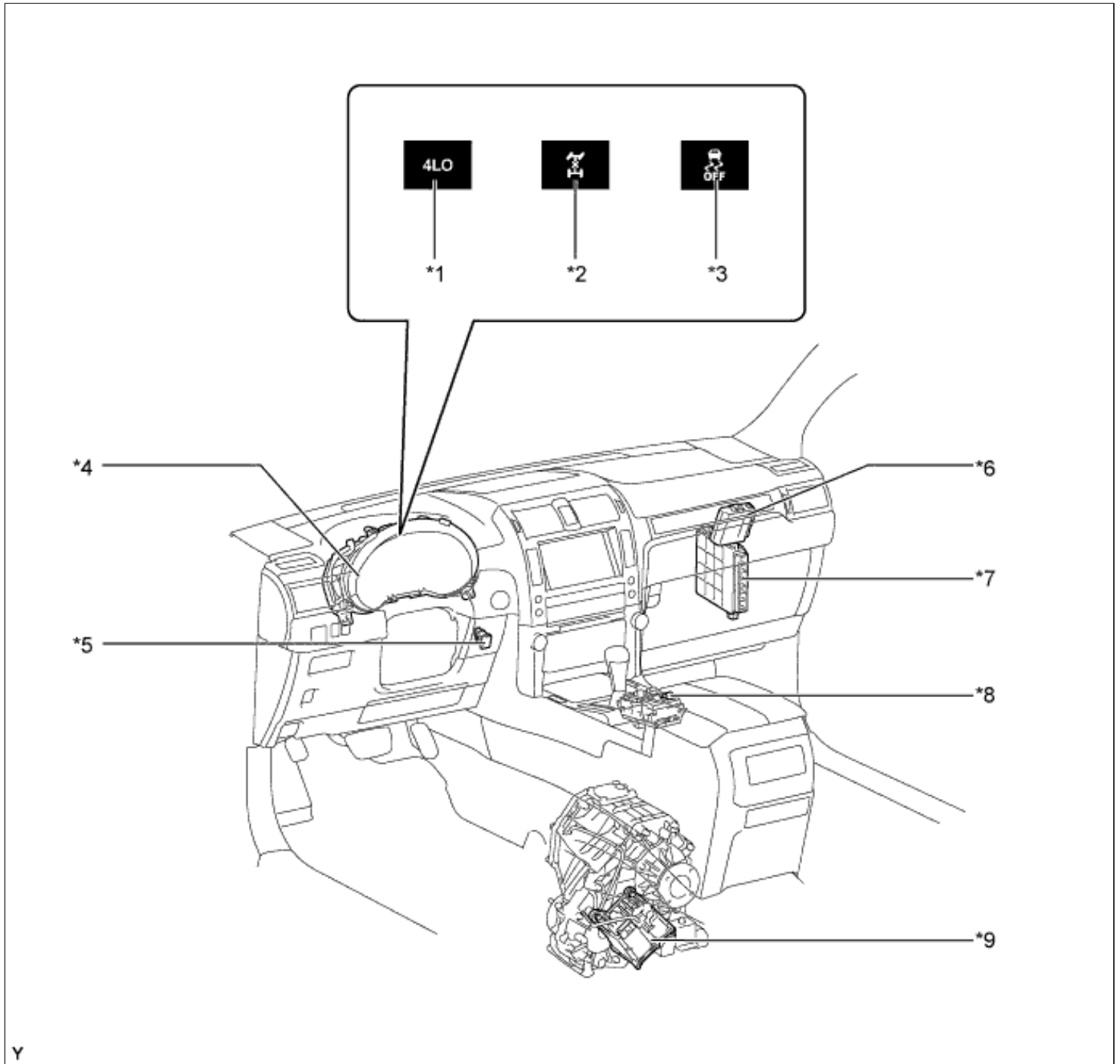


FOUR WHEEL DRIVE CONTROL SYSTEM > PARTS LOCATION



Text in Illustration

*1	4LO Indicator Light	*2	Center Differential Lock Indicator Light
*3	VSC OFF Indicator Light	*4	Combination Meter Assembly - Multi Buzzer
*5	Center Differential Lock Switch	*6	4WD Control ECU
*7	ECM	*8	Transfer Position Switch
*9	Transfer Shift Actuator Assembly - H-L Shift Motor	-	-

- | | | |
|--|--|--|
| <ul style="list-style-type: none">- H-L Limit Switch- Center Differential Lock Shift Motor- Center Differential Lock Limit Switch- Center Differential Lock Position Switch | | |
|--|--|--|