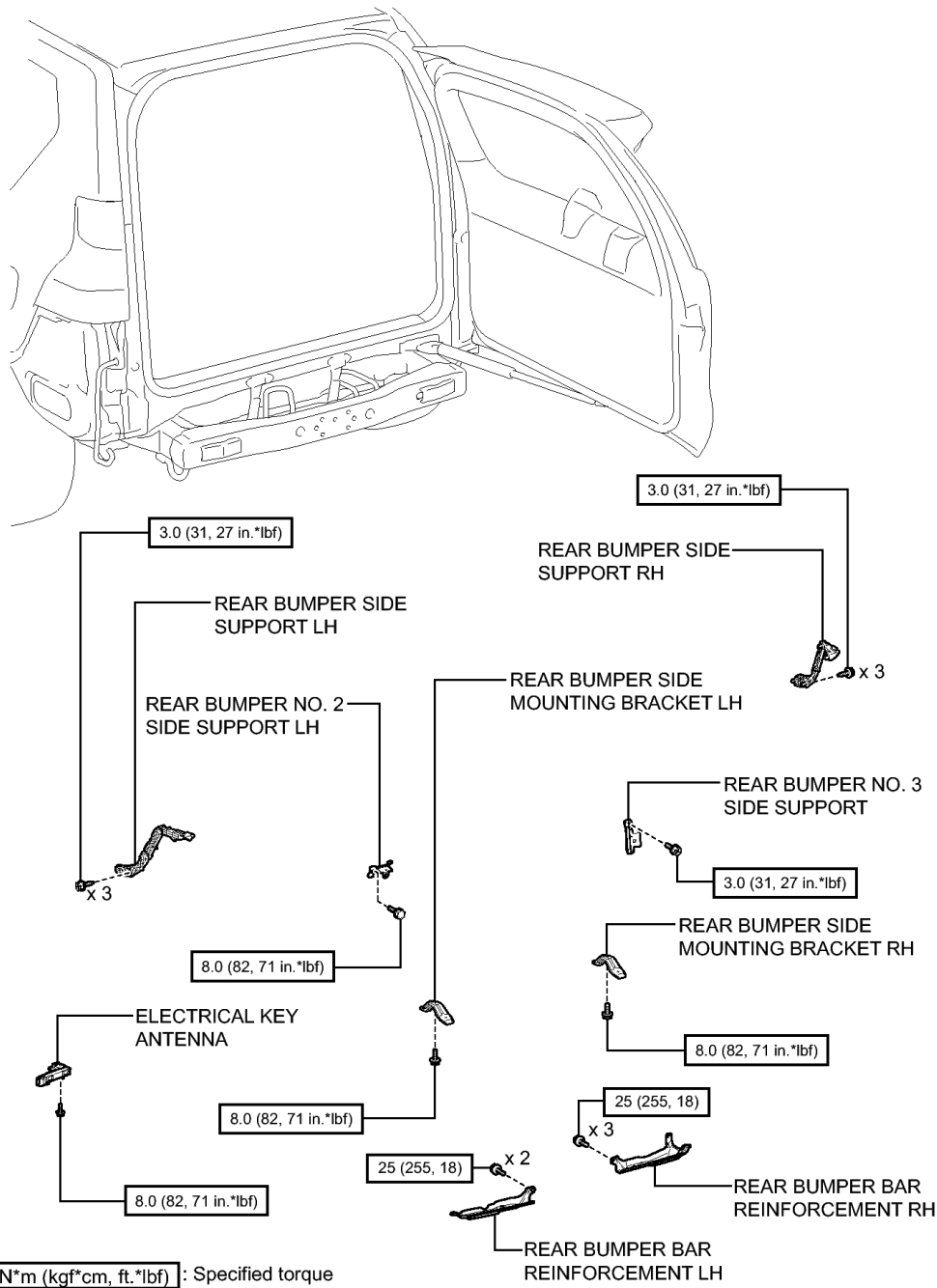


**Fig. 29: Identifying Rear Bumper Replacement Components With Torque Specifications (1 Of 4)**  
Courtesy of TOYOTA MOTOR SALES, U.S.A., INC.

ILLUSTRATION

2014 Lexus GX 460 Luxury

2014 ACCESSORIES & EQUIPMENT Exterior Panels / Trim (Service Information) - GX460



P

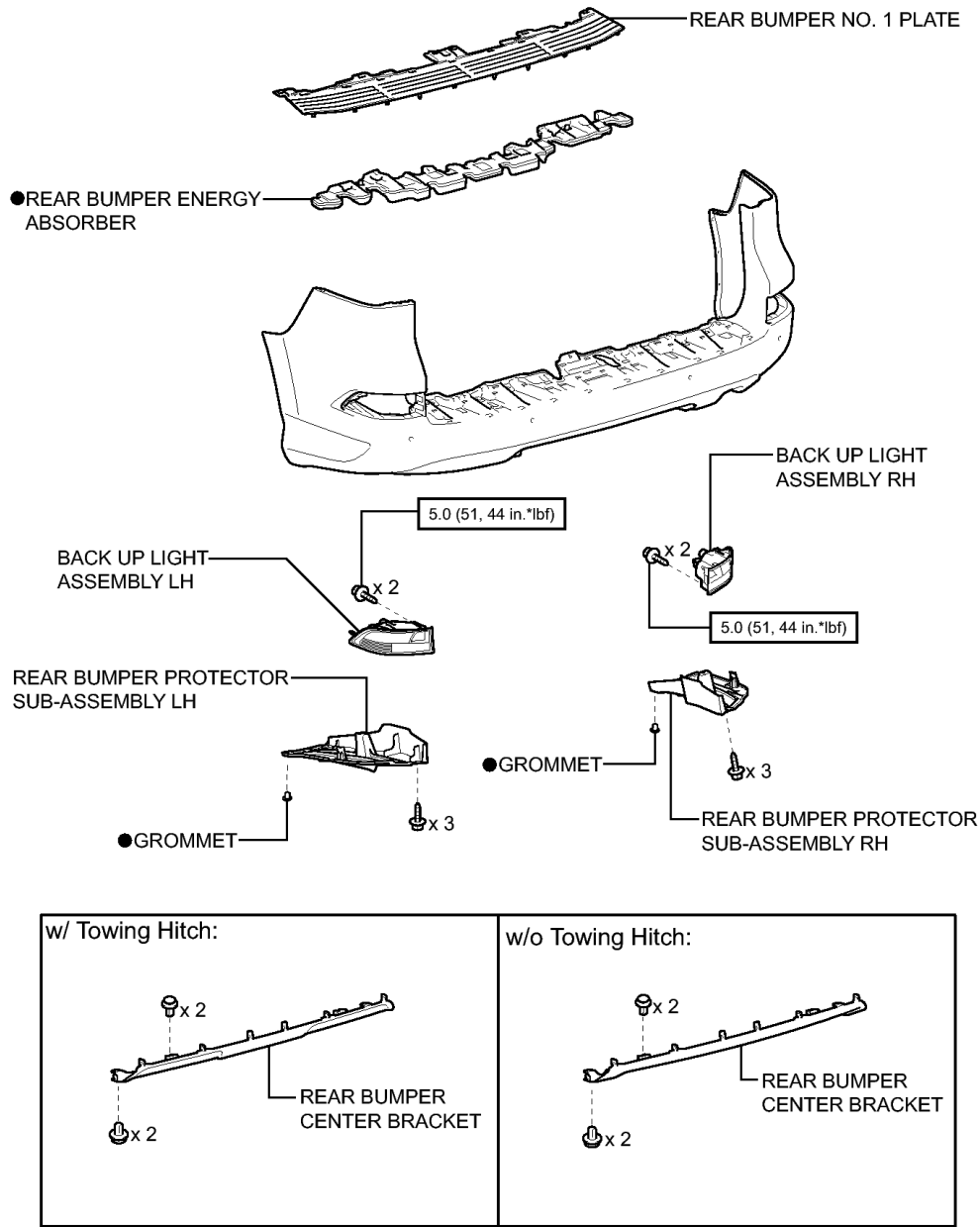
**Fig. 30: Identifying Rear Bumper Replacement Components With Torque Specifications (2 Of 4)**

Courtesy of TOYOTA MOTOR SALES, U.S.A., INC.

ILLUSTRATION

2014 Lexus GX 460 Luxury

2014 ACCESSORIES & EQUIPMENT Exterior Panels / Trim (Service Information) - GX460



N\*m (kgf\*cm, ft.\*lbf) : Specified torque

● Non-reusable part

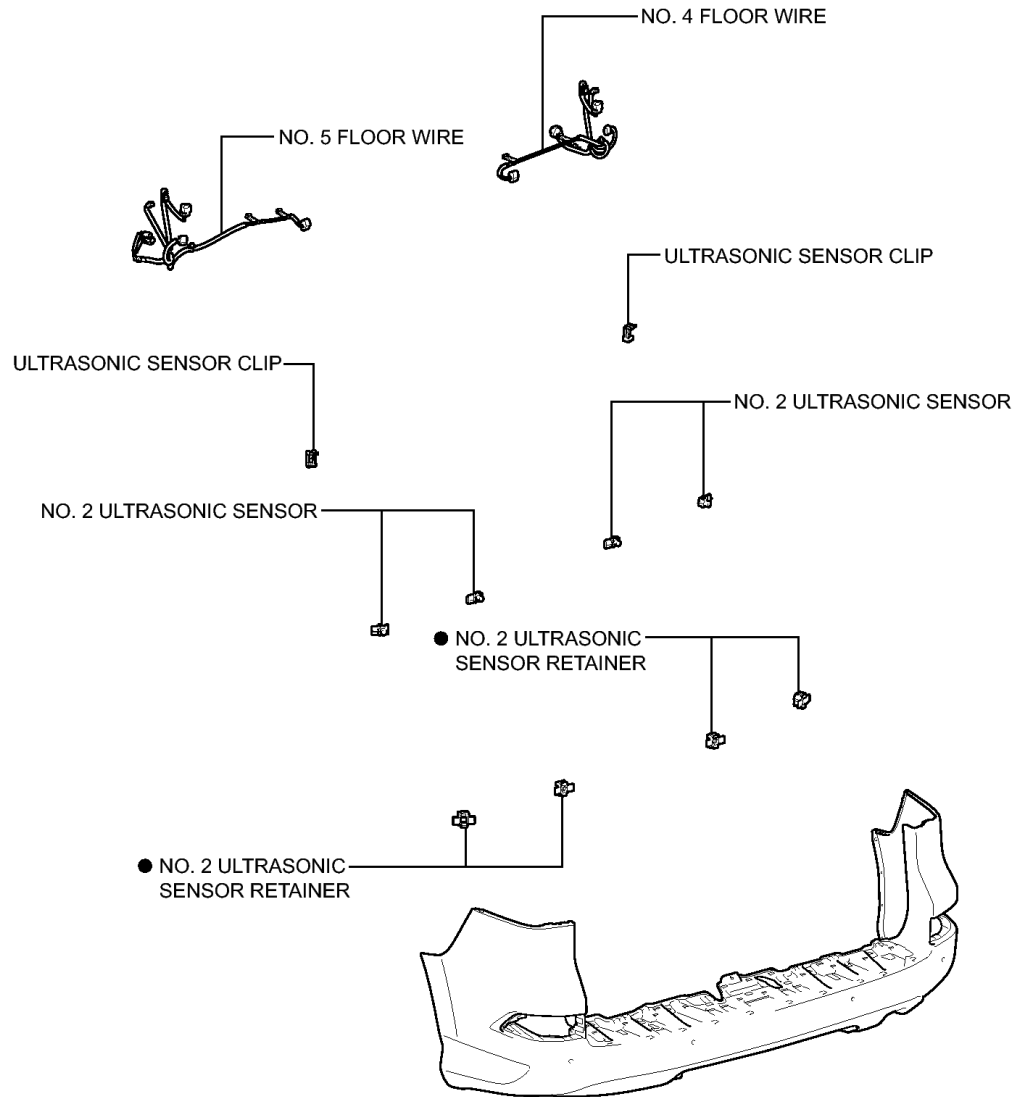
H

**Fig. 31: Identifying Rear Bumper Replacement Components With Torque Specifications (3 Of 4)**

Courtesy of TOYOTA MOTOR SALES, U.S.A., INC.

ILLUSTRATION

w/ Intuitive Parking Assist System:



H

**Fig. 32: Identifying Rear Bumper Replacement Components (4 Of 4)**  
 Courtesy of TOYOTA MOTOR SALES, U.S.A., INC.

REMOVAL [08/2013 - ]

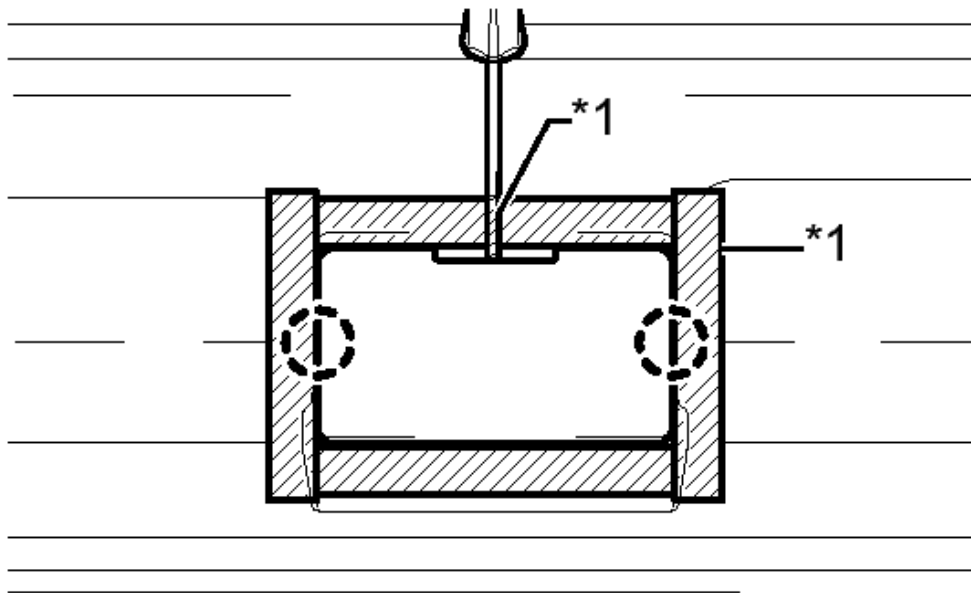
REMOVAL [08/2013 - ]

1. REMOVE REAR QUARTER PANEL MUDGUARD LH See step 1
2. REMOVE REAR QUARTER PANEL MUDGUARD RH

**HINT:**

Use the same procedure described for the LH side.

**3. REMOVE JACK BOX HOLE COVER**



**P**

**Fig. 33: Removing Jack Box Hole Cover**

Courtesy of TOYOTA MOTOR SALES, U.S.A., INC.

- a. Using a screwdriver, detach the 2 claws and remove the jack box hole cover.

**HINT:**

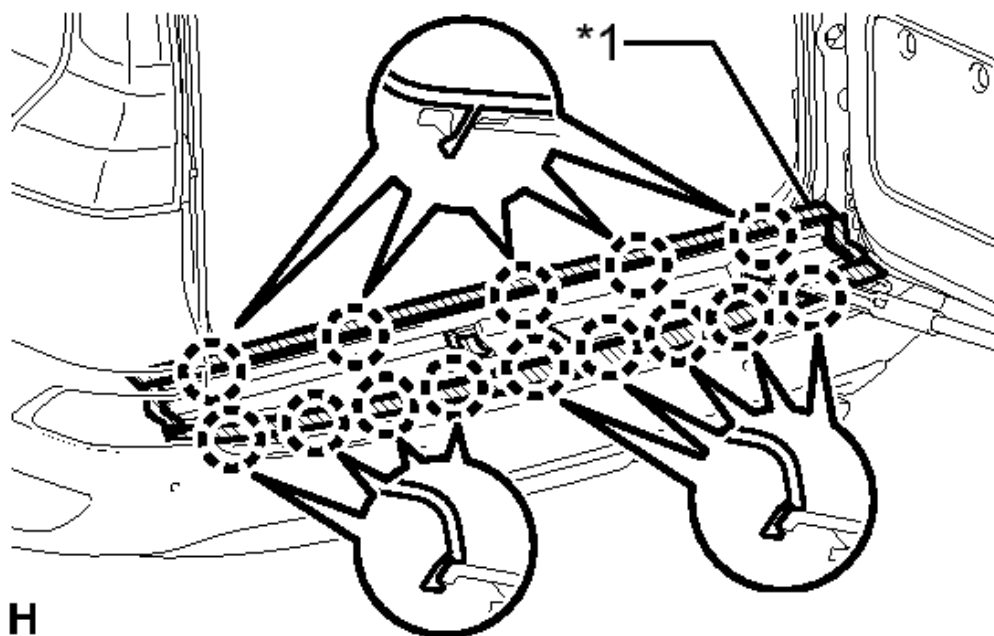
Tape the screwdriver tip before use.

**TEXT IN ILLUSTRATION**

*1	Protective Tape
----	-----------------

**4. REMOVE REAR BUMPER BAR PLATE**

- a. Put protective tape around the rear bumper bar plate.



**H**

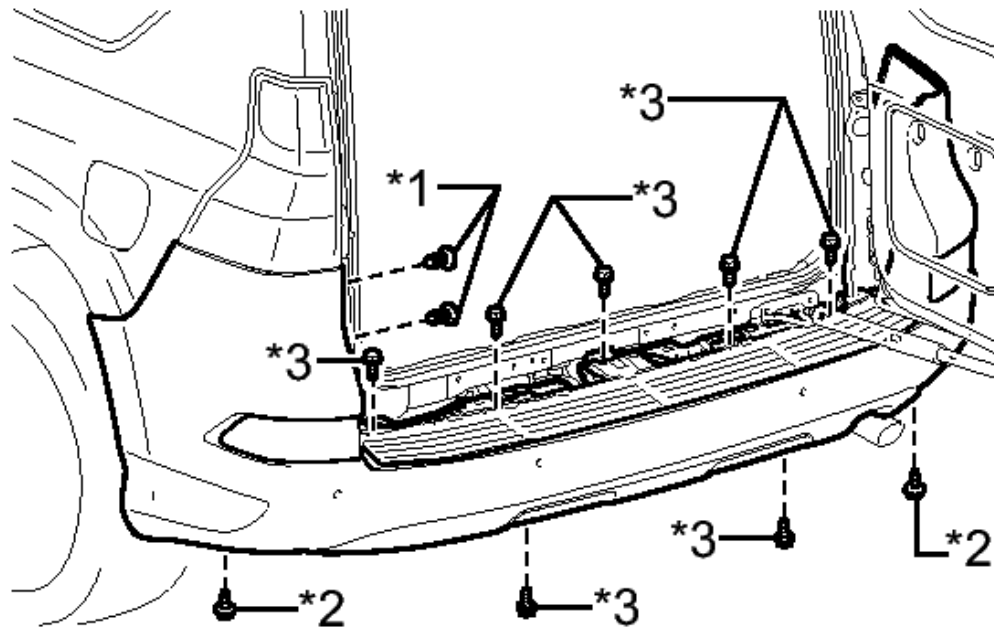
**Fig. 34: Identifying Rear Bumper Bar Plate Protective Tape & Claws**

Courtesy of TOYOTA MOTOR SALES, U.S.A., INC.

**TEXT IN ILLUSTRATION**

*1	Protective Tape
----	-----------------

- b. Detach the 14 claws and remove the rear bumper bar plate.
- 5. REMOVE REAR BUMPER COVER**
- a. Remove the 2 clips.

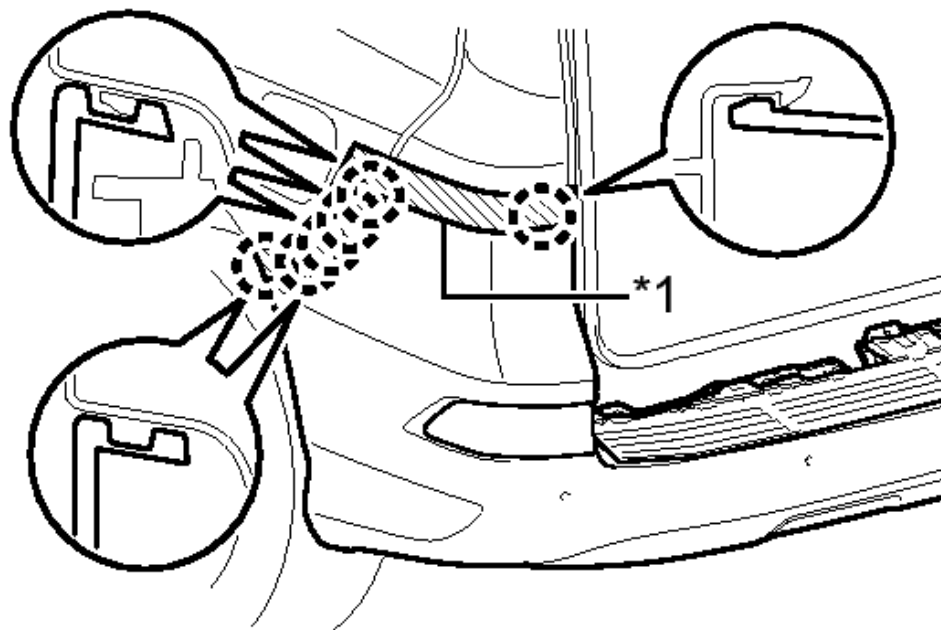


**Fig. 35: Identifying Rear Bumper Cover Clips, Screws & Bolts**  
 Courtesy of TOYOTA MOTOR SALES, U.S.A., INC.

**TEXT IN ILLUSTRATION**

*1	Clip
*2	Screw
*3	Bolt

- b. Remove the 2 screws and 7 bolts.
- c. Put protective tape around the rear bumper cover.



**Fig. 36: Identifying Rear Bumper Cover Protective Tape & Claws**  
 Courtesy of TOYOTA MOTOR SALES, U.S.A., INC.

**TEXT IN ILLUSTRATION**

*1	Protective Tape
----	-----------------

- d. Detach the 6 claws and remove the rear bumper cover.

**HINT:**

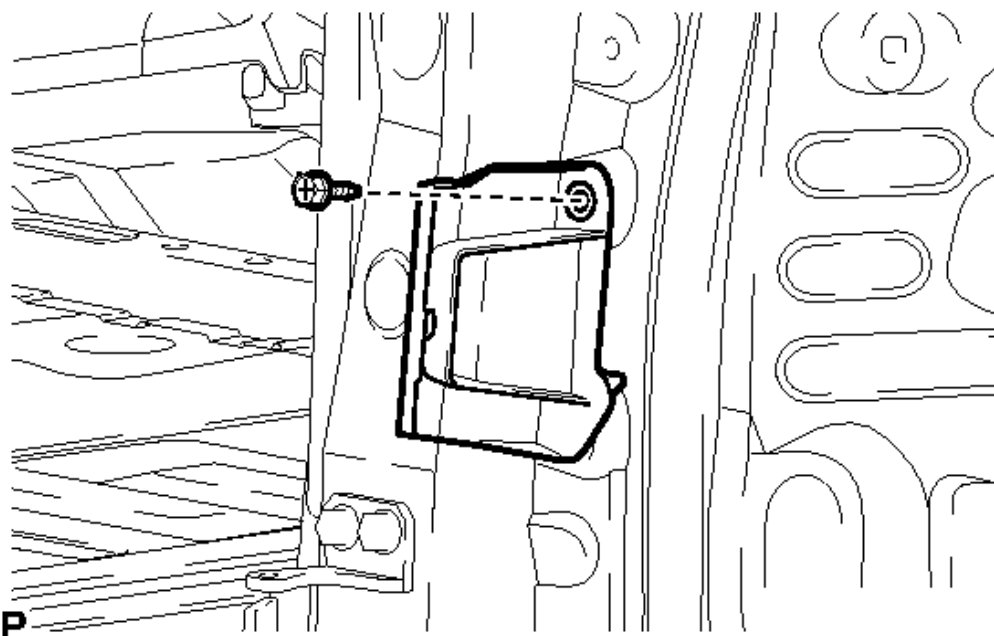
Use the same procedure for the RH and LH sides.

- e. Disconnect the 3 connectors.

**6. REMOVE REAR BUMPER NO. 3 SIDE SUPPORT**

- a. Remove the screw and rear bumper No. 3 side support.

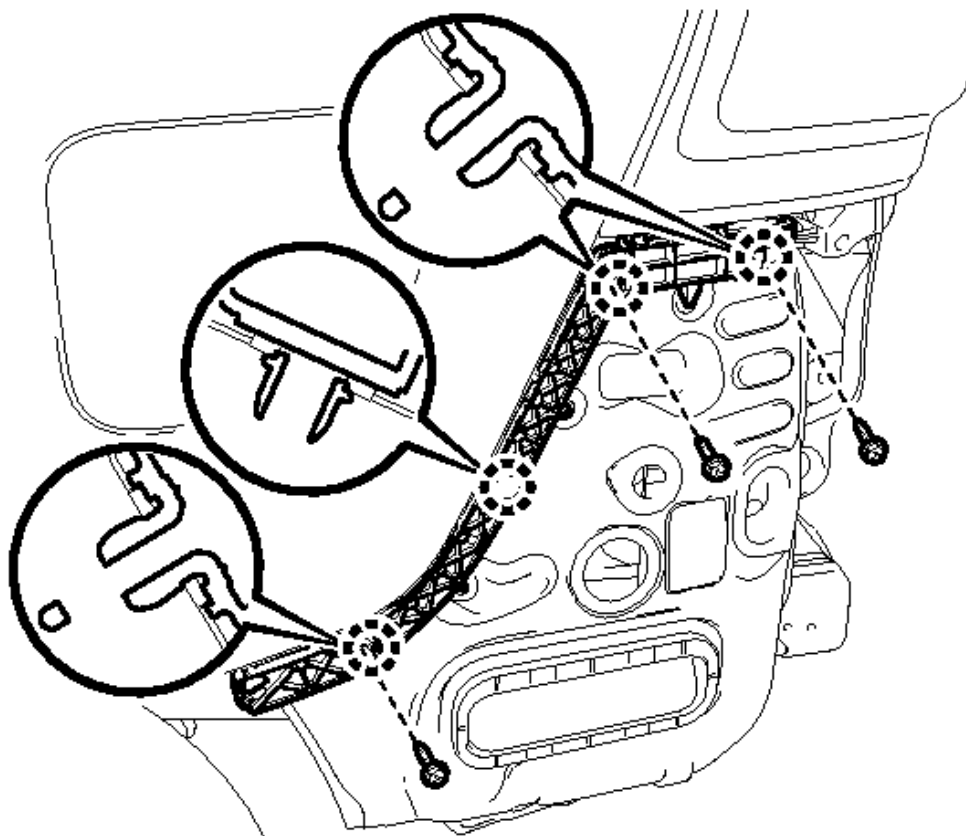




**Fig. 37: Identifying Rear Bumper No. 3 Side Support Screw**  
Courtesy of TOYOTA MOTOR SALES, U.S.A., INC.

**7. REMOVE REAR BUMPER SIDE SUPPORT LH**

- a. Remove the 3 screws.



**P**

**Fig. 38: Identifying Rear Bumper Side Support LH Screws & Claws**

Courtesy of TOYOTA MOTOR SALES, U.S.A., INC.

b. Detach the 4 claws and remove the rear bumper side support LH.

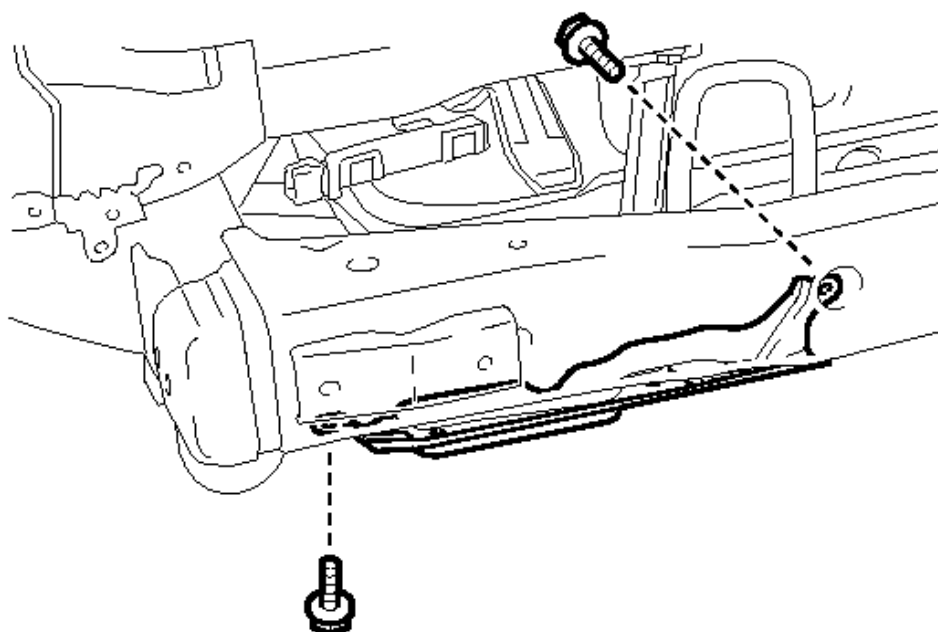
**8. REMOVE REAR BUMPER SIDE SUPPORT RH**

**HINT:**

Use the same procedure described for the LH side.

**9. REMOVE REAR BUMPER BAR REINFORCEMENT LH**

a. Remove the 2 bolts and rear bumper bar reinforcement LH.

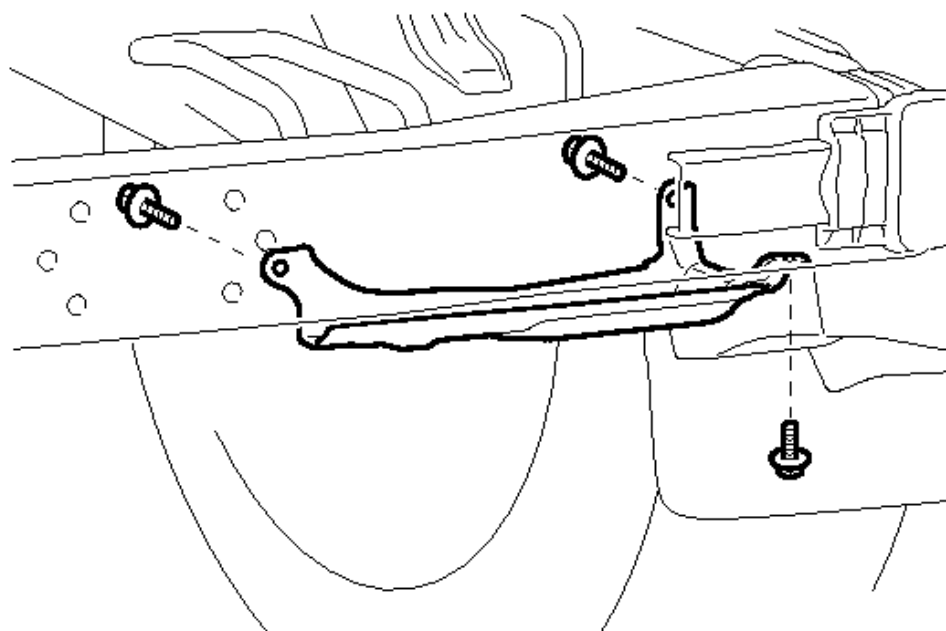


**P**

**Fig. 39: Identifying Rear Bumper Bar Reinforcement LH Bolts**  
Courtesy of TOYOTA MOTOR SALES, U.S.A., INC.

**10. REMOVE REAR BUMPER BAR REINFORCEMENT RH**

- a. Remove the 3 bolts and rear bumper bar reinforcement RH.

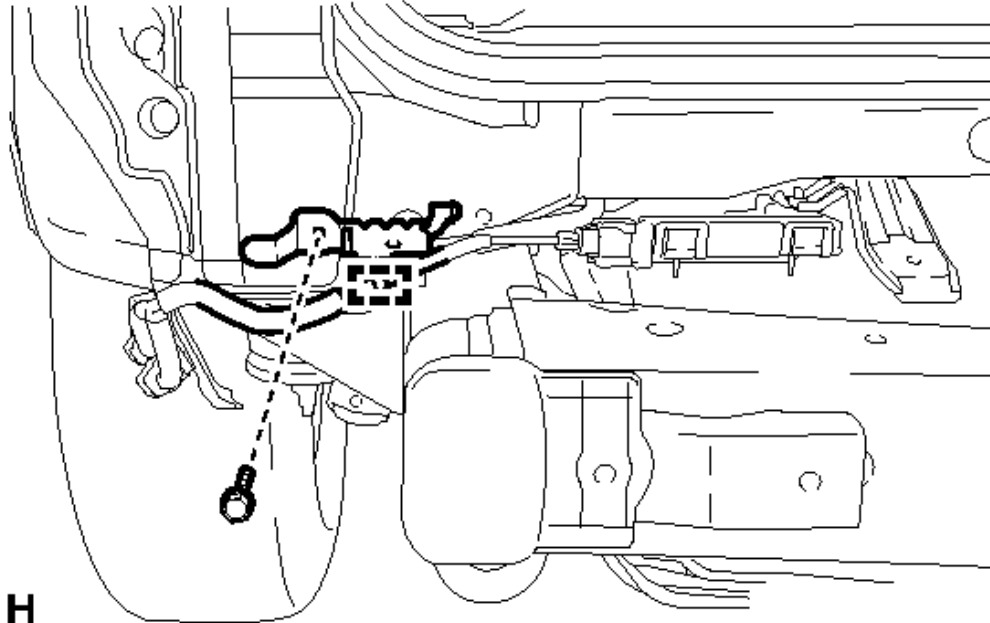


**H**

**Fig. 40: Identifying Rear Bumper Bar Reinforcement RH Bolts**  
Courtesy of TOYOTA MOTOR SALES, U.S.A., INC.

**11. REMOVE REAR BUMPER NO. 2 SIDE SUPPORT LH**

- a. Detach the clamp from the wire harness.

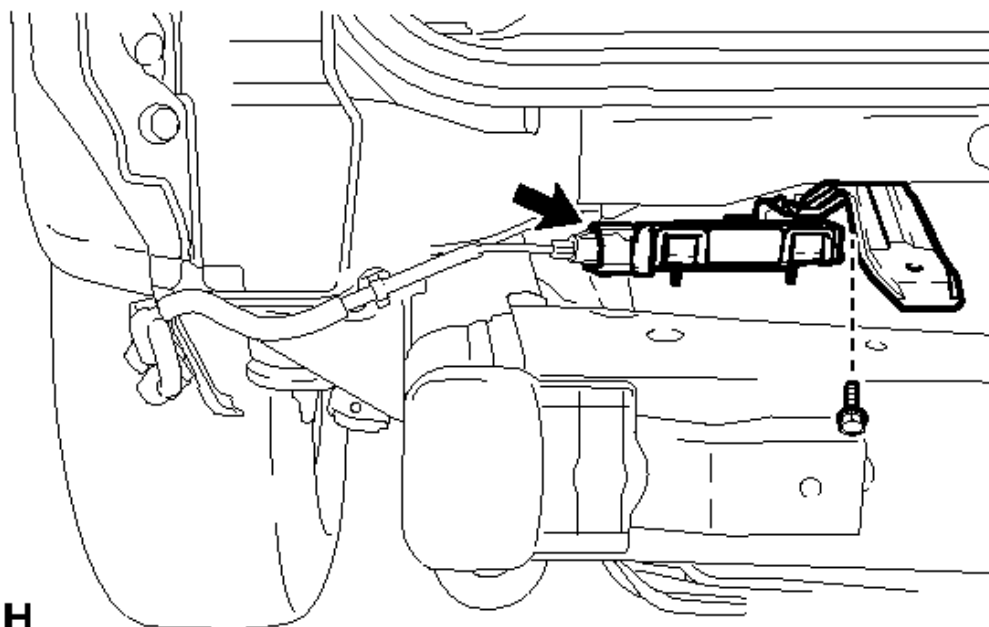


**H**  
**Fig. 41: Identifying Wire Harness Clamp & Rear Bumper No. 2 Side Support LH Bolt**  
Courtesy of TOYOTA MOTOR SALES, U.S.A., INC.

- b. Remove the bolt and rear bumper No. 2 side support LH.

**12. REMOVE REAR BUMPER SIDE MOUNTING BRACKET LH**

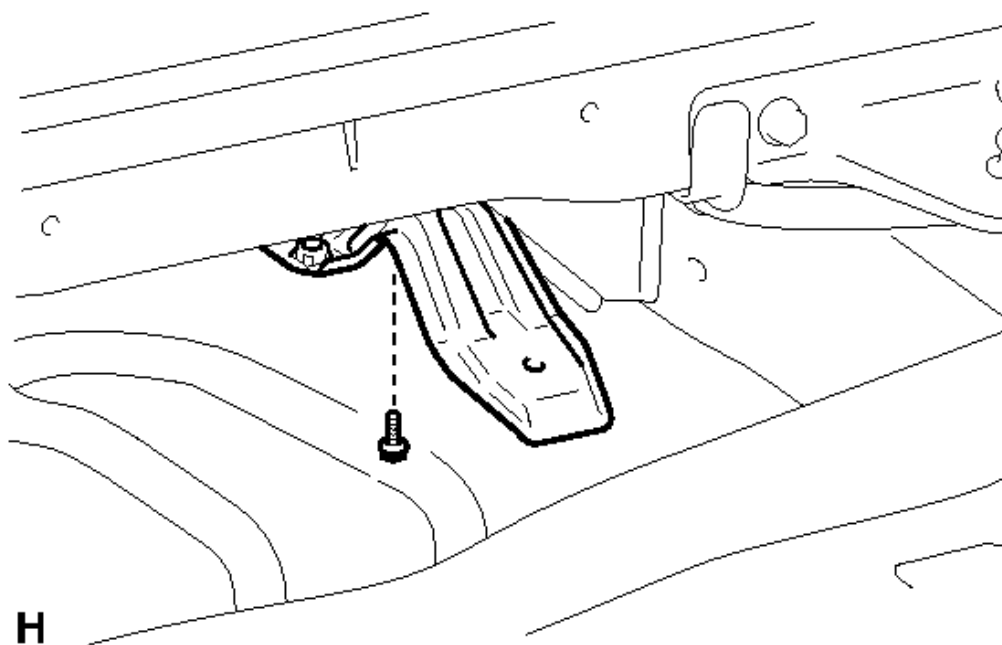
- a. Disconnect the electrical key antenna connector.



H

**Fig. 42: Identifying Electrical Key Antenna Connector & Rear Bumper Side Mounting Bracket LH Bolt**  
Courtesy of TOYOTA MOTOR SALES, U.S.A., INC.

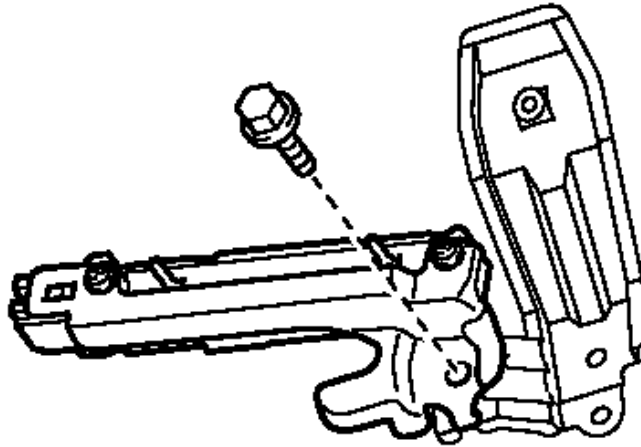
- b. Remove the bolt and rear bumper side mounting bracket LH.
13. **REMOVE REAR BUMPER SIDE MOUNTING BRACKET RH**
- a. Remove the bolt and rear bumper side mounting bracket RH.



H

**Fig. 43: Identifying Rear Bumper Side Mounting Bracket RH Bolt**  
Courtesy of TOYOTA MOTOR SALES, U.S.A., INC.

14. **REMOVE ELECTRICAL KEY ANTENNA**
  - a. Remove the bolt and electrical key antenna.



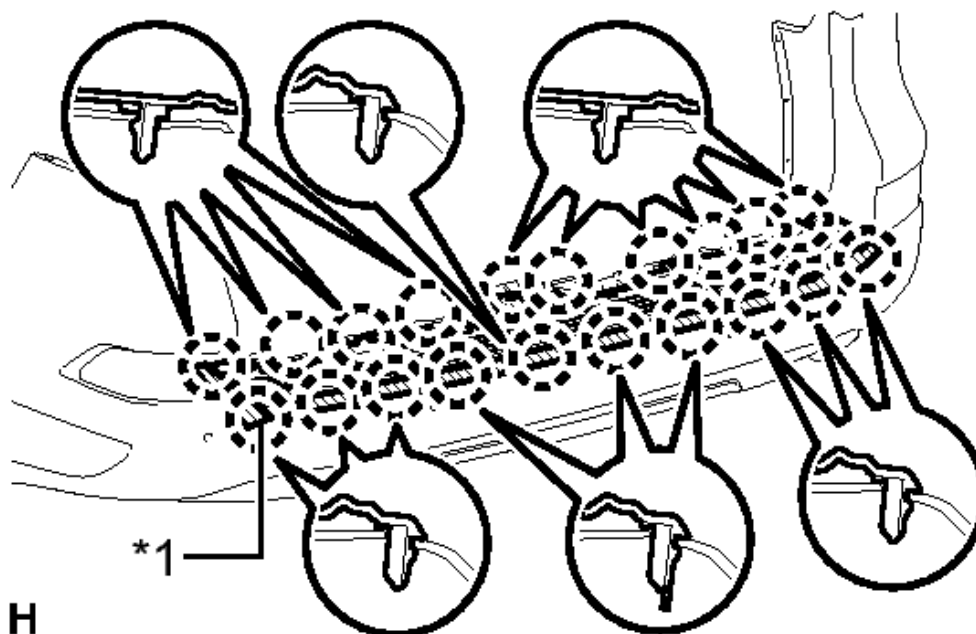
0

**Fig. 44: Identifying Electrical Key Antenna Bolt**  
Courtesy of TOYOTA MOTOR SALES, U.S.A., INC.

DISASSEMBLY [08/2013 - ]

DISASSEMBLY [08/2013 - ]

1. **REMOVE REAR BUMPER NO. 1 PLATE**
  - a. Put protective tape around the rear bumper No. 1 plate.



H

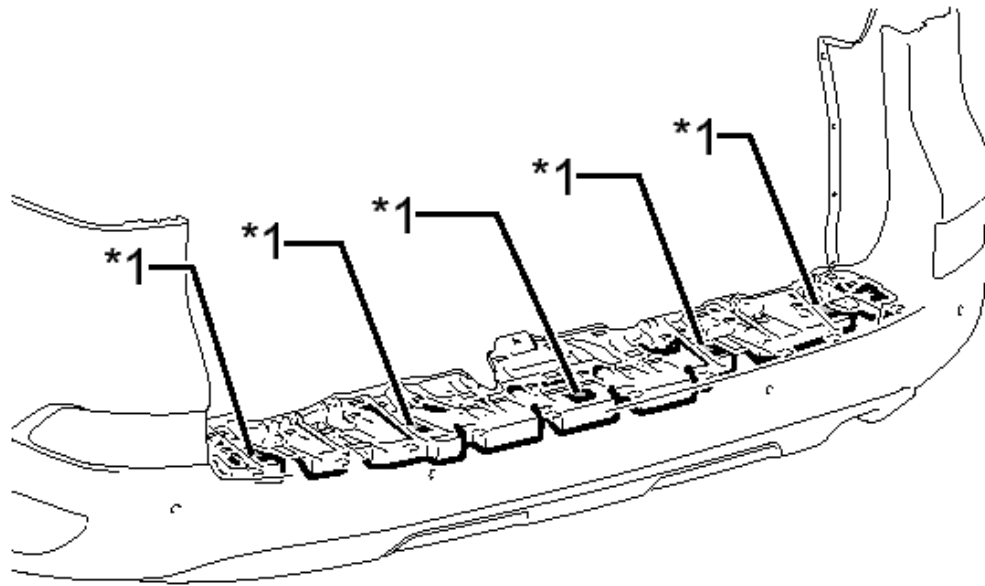
**Fig. 45: Identifying Rear Bumper No. 1 Plate Protective Tape & Claws**

Courtesy of TOYOTA MOTOR SALES, U.S.A., INC.

**TEXT IN ILLUSTRATION**

*1	Protective Tape
----	-----------------

- b. Detach the 20 claws and remove the rear bumper No. 1 plate.
- 2. REMOVE REAR BUMPER ENERGY ABSORBER**
- a. Remove the rear bumper energy absorber from the rear bumper cover.



**H**

**Fig. 46: Identifying Rear Bumper Energy Absorber Double-Sided Tape**

Courtesy of TOYOTA MOTOR SALES, U.S.A., INC.

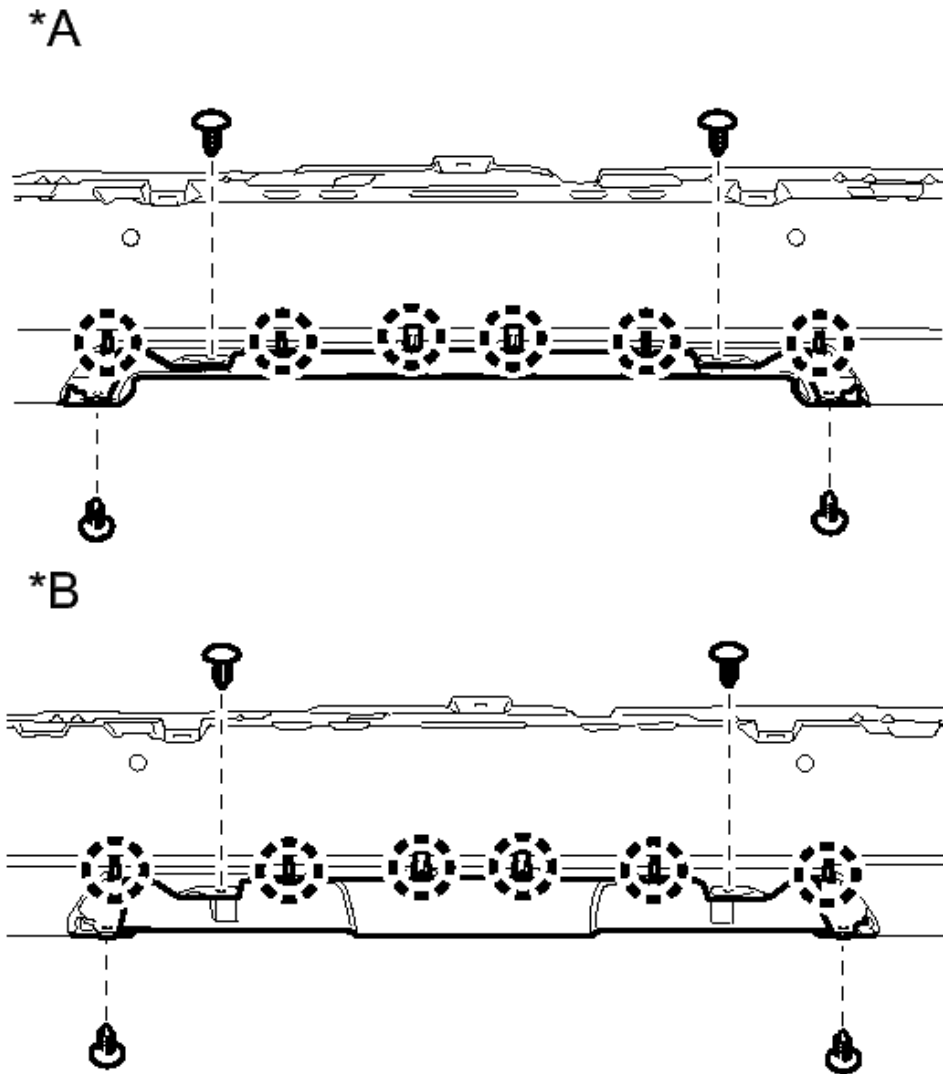
**TEXT IN ILLUSTRATION**

*1	Double-sided Tape
----	-------------------

**3. REMOVE REAR BUMPER CENTER BRACKET**

- a. Remove the 4 clips.





**H**

**Fig. 47: Identifying Rear Bumper Center Bracket Clips & Claws**  
 Courtesy of TOYOTA MOTOR SALES, U.S.A., INC.

**TEXT IN ILLUSTRATION**

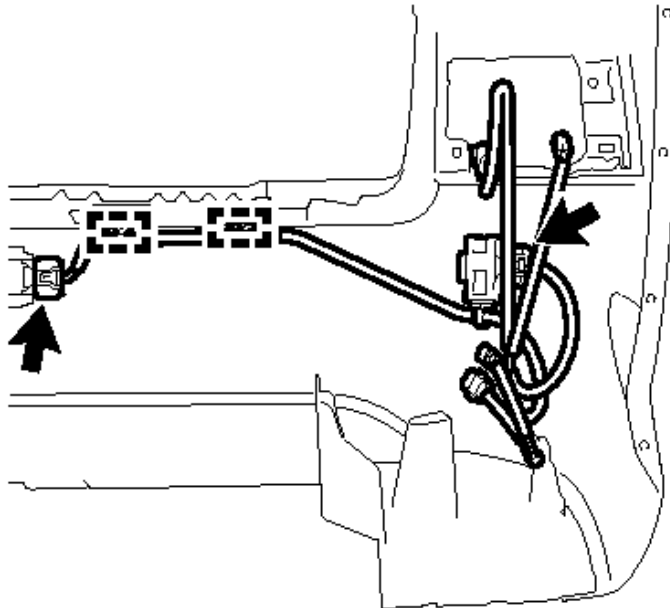
*A	w/ Towing Hitch
*B	w/o Towing Hitch

- b. Detach the 6 claws and remove the rear bumper center bracket.
- 4. **REMOVE BACK UP LIGHT ASSEMBLY LH** . Refer to **REMOVAL [08/2013 - ] - Step 2**
- 5. **REMOVE BACK UP LIGHT ASSEMBLY RH**

**HINT:**

Use the same procedure described for the LH side.

- 6. **REMOVE NO. 5 FLOOR WIRE (w/ Intuitive Parking Assist System)**
  - a. Disconnect the 2 connectors.



**H**

**Fig. 48: Identifying No. 5 Floor Wire Connectors & Clamps**  
 Courtesy of TOYOTA MOTOR SALES, U.S.A., INC.

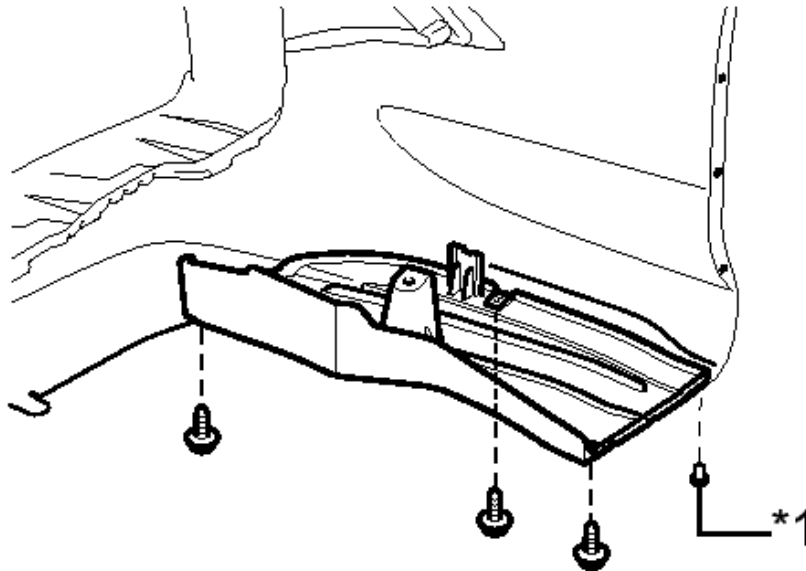
- b. Detach the 2 clamps and remove the No. 5 floor wire.
- 7. **REMOVE NO. 4 FLOOR WIRE (w/ Intuitive Parking Assist System)**

**HINT:**

Use the same procedure described for the No. 5 floor wire.

- 8. **REMOVE ULTRASONIC SENSOR CLIP (w/ Intuitive Parking Assist System)** . Refer to **REMOVAL [08/2013 - ] - Step 10**

9. **REMOVE NO. 2 ULTRASONIC SENSOR (w/ Intuitive Parking Assist System)** . Refer to **REMOVAL [08/2013 - ] - Step 11**
10. **REMOVE NO. 2 ULTRASONIC SENSOR RETAINER (w/ Intuitive Parking Assist System)** . Refer to **REMOVAL [08/2013 - ] - Step 12**
11. **REMOVE REAR BUMPER PROTECTOR SUB-ASSEMBLY LH**
  - a. Remove the grommet.
  - b. Remove the 3 screws and rear bumper protector sub-assembly LH.



**H**

**Fig. 49: Identifying Rear Bumper Protector Grommet & Screws**  
 Courtesy of TOYOTA MOTOR SALES, U.S.A., INC.

**TEXT IN ILLUSTRATION**

*1	Grommet
----	---------

12. **REMOVE REAR BUMPER PROTECTOR SUB-ASSEMBLY RH**

**HINT:**

Use the same procedure described for the LH side.

**REASSEMBLY [08/2013 - ]**

**REASSEMBLY [08/2013 - ]**

**HINT:**

A bolt without a torque specification is shown in the standard bolt chart. Refer to **SPECIFIED TORQUE FOR STANDARD BOLTS [08/2013 - ]** .

1. **INSTALL REAR BUMPER PROTECTOR SUB-ASSEMBLY LH**
  - a. Install the rear bumper protector sub-assembly LH with the 3 screws.
  - b. Install a new grommet.
2. **INSTALL REAR BUMPER PROTECTOR SUB-ASSEMBLY RH**

**HINT:**

Use the same procedure described for the LH side.

3. **INSTALL NO. 2 ULTRASONIC SENSOR (w/ Intuitive Parking Assist System)** . Refer to **INSTALLATION [08/2013 - ] - Step 1**
4. **INSTALL NO. 2 ULTRASONIC SENSOR RETAINER (w/ Intuitive Parking Assist System)** . Refer to **INSTALLATION [08/2013 - ] - Step 1**
5. **INSTALL ULTRASONIC SENSOR CLIP (w/ Intuitive Parking Assist System)** . Refer to **INSTALLATION [08/2013 - ] - Step 2**
6. **INSTALL NO. 5 FLOOR WIRE (w/ Intuitive Parking Assist System)**
  - a. Attach the 2 clamps to install the No. 5 floor wire.
  - b. Connect the 2 connectors.
7. **INSTALL NO. 4 FLOOR WIRE (w/ Intuitive Parking Assist System)**

**HINT:**

Use the same procedure described for the No. 5 floor wire.

8. **INSTALL BACK UP LIGHT ASSEMBLY LH** . Refer to **INSTALLATION [08/2013 - ] - Step 1**
9. **INSTALL BACK UP LIGHT ASSEMBLY RH**

**HINT:**

Use the same procedure described for the LH side.

10. **INSTALL REAR BUMPER CENTER BRACKET**

- a. Attach the 6 claws to install the rear bumper center bracket.
- b. Install the 4 clips.

## 11. INSTALL REAR BUMPER ENERGY ABSORBER

### HINT:

When installing the rear bumper energy absorber, heat the rear bumper cover surface using a heat light.

Standard

Item	Temperature
Rear Bumper Cover	20 to 30°C (68 to 86°F)

**NOTE: Do not heat the rear bumper cover excessively.**

- a. When using a new rear bumper cover:
  1. Clean the rear bumper cover surface.
  2. Using a heat light, heat the rear bumper cover surface.
- b. When reusing the rear bumper cover:
  1. Using a heat light, heat the rear bumper cover surface.
  2. Remove the double-sided tape from the rear bumper cover.
  3. Wipe off any tape adhesive residue with cleaner.
- c. Install a new rear bumper energy absorber.
  1. Remove the peeling paper from the face of the rear bumper energy absorber.

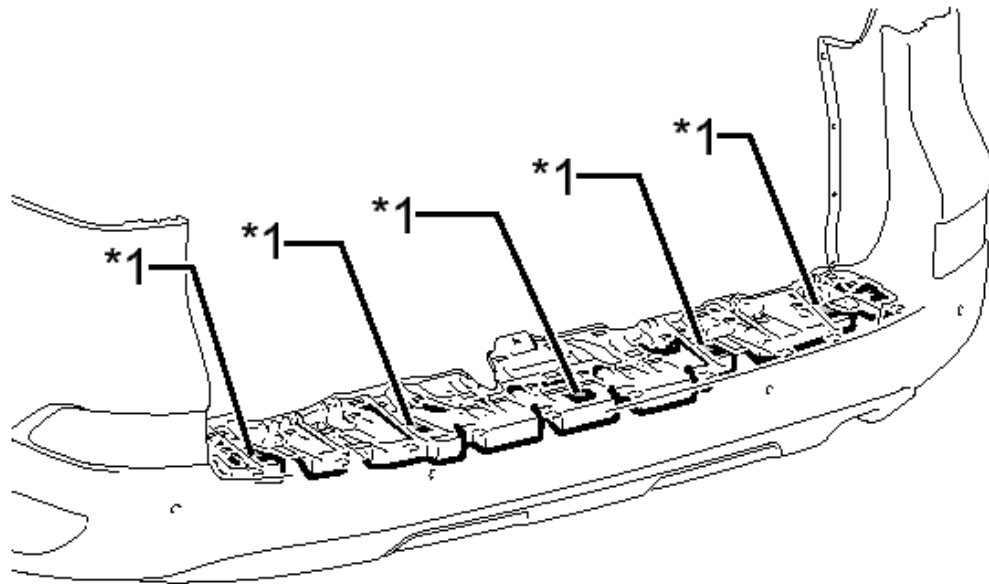
### HINT:

After removing the peeling paper, keep the exposed adhesive free from foreign matter.

2. Install the rear bumper energy absorber as shown in the illustration.

### HINT:

Press the rear bumper energy absorber firmly to install it.



**H**

**Fig. 50: Identifying Rear Bumper Energy Absorber Double-Sided Tape**

Courtesy of TOYOTA MOTOR SALES, U.S.A., INC.

**TEXT IN ILLUSTRATION**

*1	Double-sided Tape
----	-------------------

**12. INSTALL REAR BUMPER NO. 1 PLATE**

- a. Attach the 20 claws to install the rear bumper No. 1 plate.

INSTALLATION [08/2013 - ]

INSTALLATION [08/2013 - ]

**HINT:**

A bolt without a torque specification is shown in the standard bolt chart. Refer to **SPECIFIED TORQUE FOR STANDARD BOLTS [08/2013 - ]** .

**1. INSTALL ELECTRICAL KEY ANTENNA**

- a. Install the electrical key antenna with the bolt.

**Torque: 8.0 N\*m (82 kgf\*cm, 71 in.\*lbf)**

**2. INSTALL REAR BUMPER SIDE MOUNTING BRACKET LH**

- a. Install the rear bumper side mounting bracket LH with the bolt.

**Torque: 8.0 N\*m (82 kgf\*cm, 71 in.\*lbf)**

- b. Connect the electrical key antenna connector.

**3. INSTALL REAR BUMPER SIDE MOUNTING BRACKET RH**

- a. Install the rear bumper side mounting bracket RH with the bolt.

**Torque: 8.0 N\*m (82 kgf\*cm, 71 in.\*lbf)**

**4. INSTALL REAR BUMPER NO. 2 SIDE SUPPORT LH**

- a. Install the rear bumper No. 2 side support LH with the bolt.

**Torque: 8.0 N\*m (82 kgf\*cm, 71 in.\*lbf)**

- b. Attach the clamp to the wire harness.

**5. INSTALL REAR BUMPER BAR REINFORCEMENT LH**

- a. Install the rear bumper bar reinforcement LH with the 2 bolts.

**Torque: 25 N\*m (255 kgf\*cm, 18 ft.\*lbf)**

**6. INSTALL REAR BUMPER BAR REINFORCEMENT RH**

- a. Install the rear bumper bar reinforcement RH with the 3 bolts.

**Torque: 25 N\*m (255 kgf\*cm, 18 ft.\*lbf)**

**7. INSTALL REAR BUMPER SIDE SUPPORT LH**

- a. Attach the 4 claws to install the rear bumper side support LH.

- b. Install the 3 screws.

**Torque: 3.0 N\*m (31 kgf\*cm, 27 in.\*lbf)**

**8. INSTALL REAR BUMPER SIDE SUPPORT RH**

**HINT:**

Use the same procedure described for the LH side.

**9. INSTALL REAR BUMPER NO. 3 SIDE SUPPORT**

- a. Install the rear bumper No. 3 side support with the screw.

**Torque: 3.0 N\*m (31 kgf\*cm, 27 in.\*lbf)**

## 10. INSTALL REAR BUMPER COVER

- a. Connect the 3 connectors.
- b. Attach the 6 claws to install the rear bumper cover.

### **HINT:**

Use the same procedure described for the LH side.

- c. Install the 2 screws and 7 bolts.

### **for bolt**

**Torque: 8.0 N\*m (82 kgf\*cm, 71 in.\*lbf)**

- d. Install the 2 clips.

## 11. INSTALL REAR BUMPER BAR PLATE

- a. Attach the 14 claws to install the rear bumper bar plate.

## 12. INSTALL JACK BOX HOLE COVER

- a. Attach the 2 claws to install the jack box hole cover.

## 13. INSTALL REAR QUARTER PANEL MUDGUARD LH See step 1

## 14. INSTALL REAR QUARTER PANEL MUDGUARD RH

### **HINT:**

Use the same procedure described for the LH side.

## **REAR SPOILER**

COMPONENTS [08/2013 - ]

ILLUSTRATION