

FRONT SEAT ASSEMBLY > DISASSEMBLY

for Preparation [Click here](#)

CAUTION:

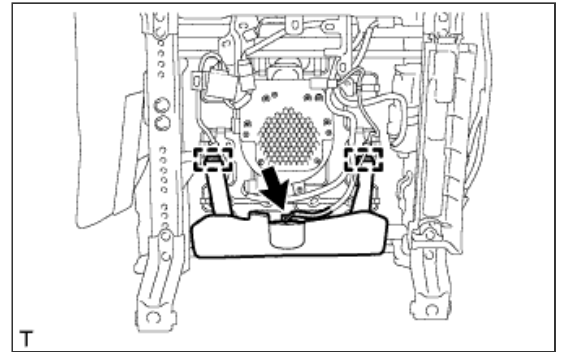
Wear protective gloves. Sharp areas on the parts may injure your hands.

HINT:

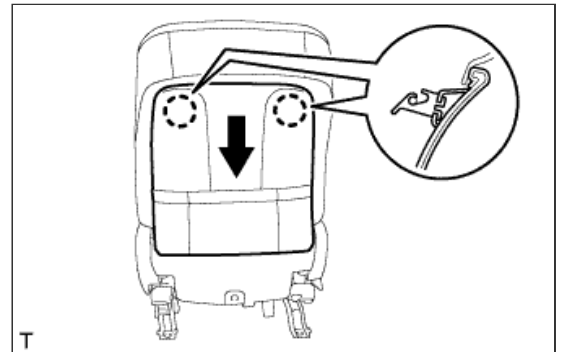
- Use the same procedure for the RH and LH sides.
- The procedure listed below is for the LH side.

1. REMOVE FRONT SEATBACK BOARD SUB-ASSEMBLY LH

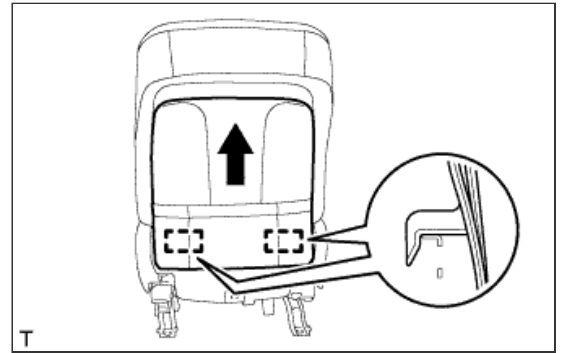
- Detach the 2 hooks and disconnect the 2 rubber bands.
- Disconnect the interior illumination light connector.



- Move the cover in the direction of the arrow to detach the 2 claws.

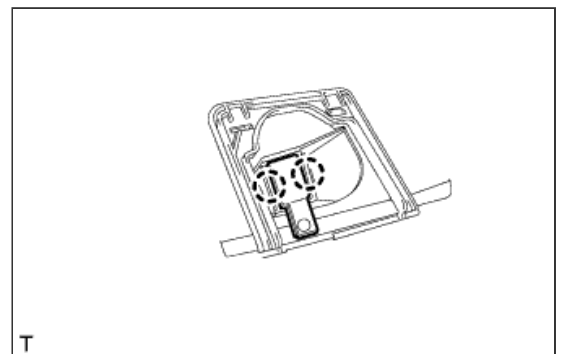


- Move the cover in the direction of the arrow to detach the 2 guides and remove the seatback board.



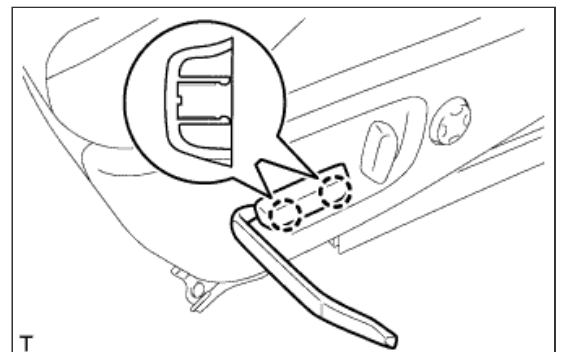
2. REMOVE NO. 1 INTERIOR ILLUMINATION LIGHT ASSEMBLY

- a. Flip the seatback cover.
- b. Disconnect the connector.
- c. Detach the 2 claws and remove the light.



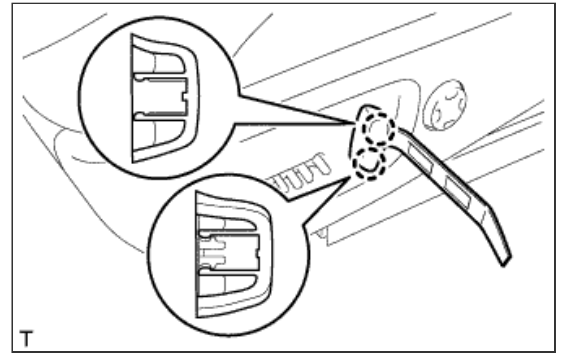
3. REMOVE SLIDE AND VERTICAL POWER SEAT SWITCH KNOB

- a. Using a moulding remover, detach the 2 claws and remove the knob.



4. REMOVE RECLINING POWER SEAT SWITCH KNOB

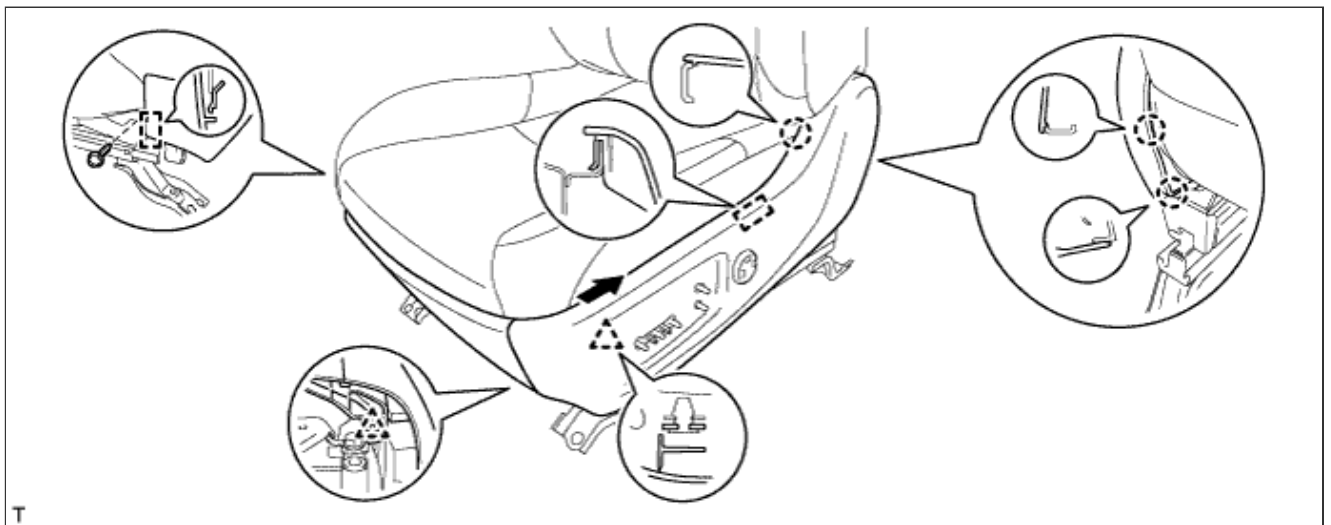
- a. Using a moulding remover, detach the 2 claws and remove the knob.



T

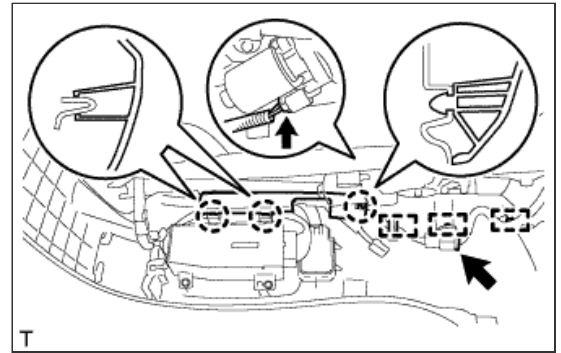
5. REMOVE FRONT SEAT CUSHION SHIELD LH

- a. Remove the screw of the front seat No. 1 inner cushion shield and detach the guide.
- b. Detach the clip of the front seat No. 1 inner cushion shield.
- c. Using a moulding remover, detach the 3 claws and guide.
- d. Move the cushion shield in the direction of the arrow to detach the clip and remove the front seat No. 1 inner cushion shield together with the cushion shield as a unit.



T

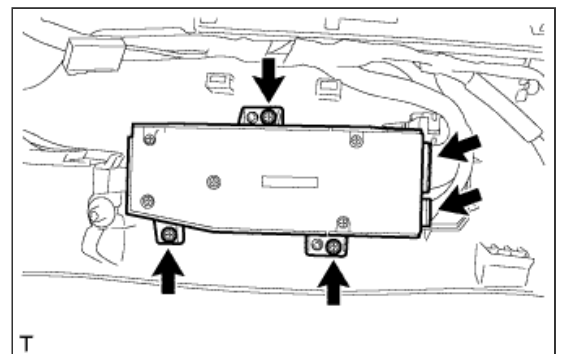
- e. Disconnect the lifter motor connector.
- f. Detach the 3 claws and open the wire harness cover.
- g. Detach the 3 wire harness clamps and disconnect the seat wire connector.



6. REMOVE FRONT POWER SEAT SWITCH LH

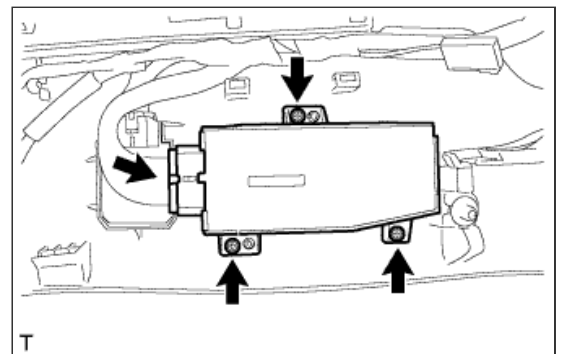
a. for Driver Side:

- i.** Remove the 3 screws.
- ii.** Disconnect the 2 connectors and remove the switch.



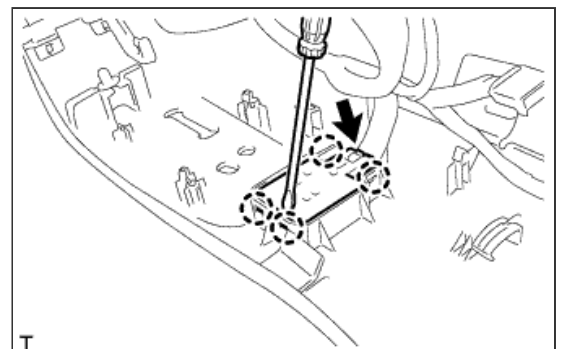
b. for Front Passenger Side:

- i.** Remove the 3 screws.
- ii.** Disconnect the connector and remove the switch.



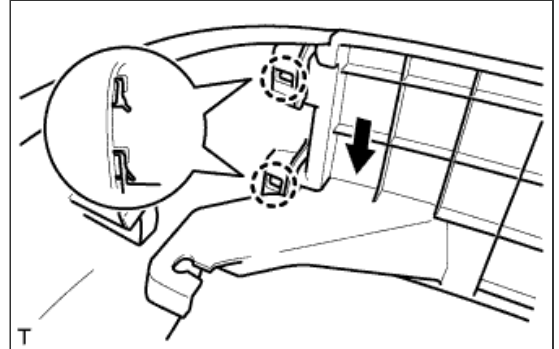
7. REMOVE LUMBAR SWITCH ASSEMBLY

- a.** Using a screwdriver, detach the 4 claws.
- b.** Disconnect the lumbar switch connector and remove the lumbar switch.



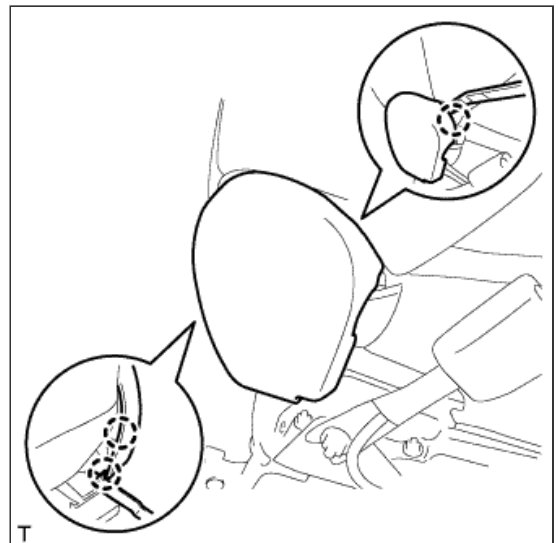
8. REMOVE FRONT SEAT NO. 1 INNER CUSHION SHIELD LH

- a. Detach the 2 claws and remove the cushion shield.



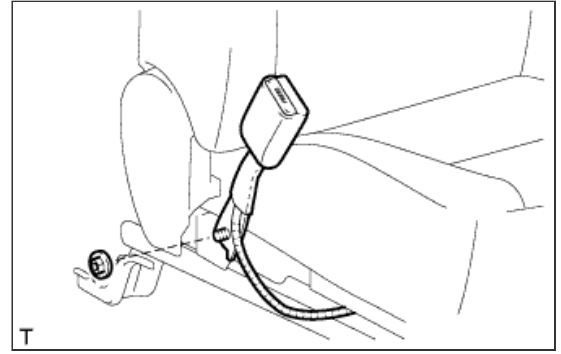
9. REMOVE FRONT SEAT INNER CUSHION SHIELD LH

- a. Using a moulding remover, detach the 3 claws and remove the cushion shield.



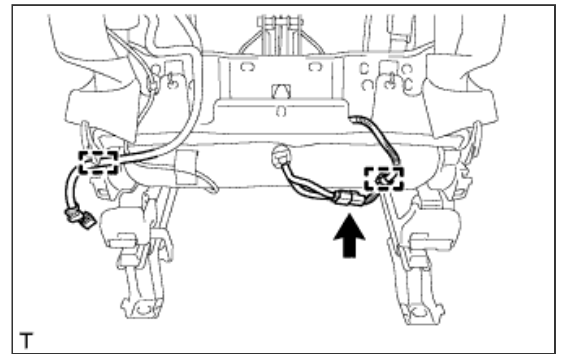
10. REMOVE FRONT SEAT INNER BELT ASSEMBLY LH

- a. for Driver Side:
Disconnect the 2 connectors and detach the 5 clamps.
- b. for Passenger Side:
Disconnect the 2 connectors and detach the 4 clamps.
- c. Remove the nut and front seat inner belt.

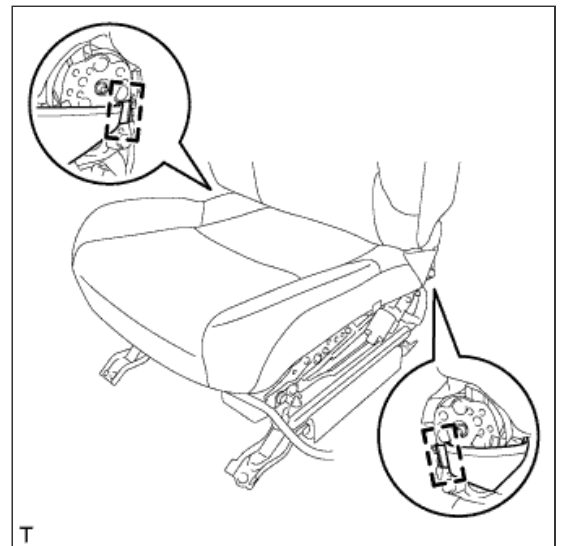


11. REMOVE SEPARATE TYPE FRONT SEATBACK ASSEMBLY

- a. Detach the clamp and disconnect the No. 2 seat wire.
- b. Disconnect the seat heater connector and detach the seat heater wire harness clamp.



- c. Detach the 2 hooks.



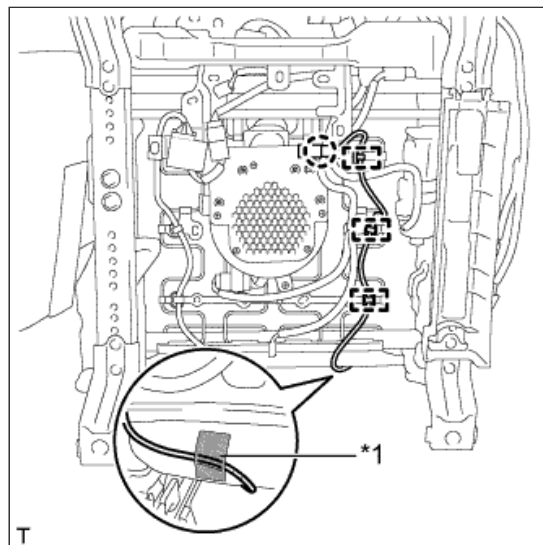
- d. Detach the claw and disconnect the airbag connector.
- e. Detach the 3 airbag wire harness clamps.
- f. Detach the fastening tape and open the cover.

Text in Illustration

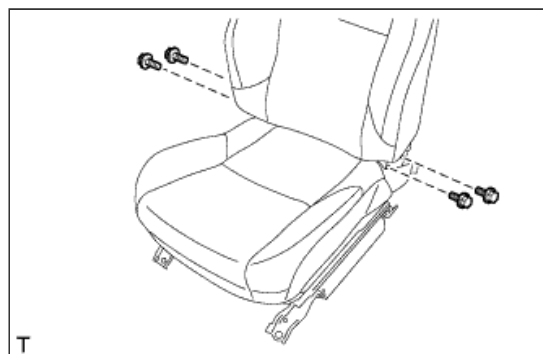
*1	Fastening Tape
----	----------------

- g. Disconnect the airbag wire harness.

- h.** w/ Rear Seat Entertainment System:
Disconnect the seat audio connector and detach the seat audio wire harness clamps.

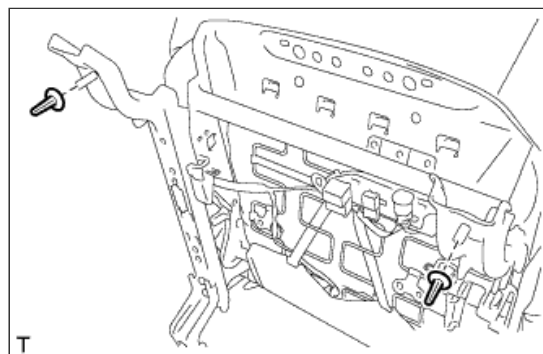


- i.** Remove the 4 bolts and seatback assembly.



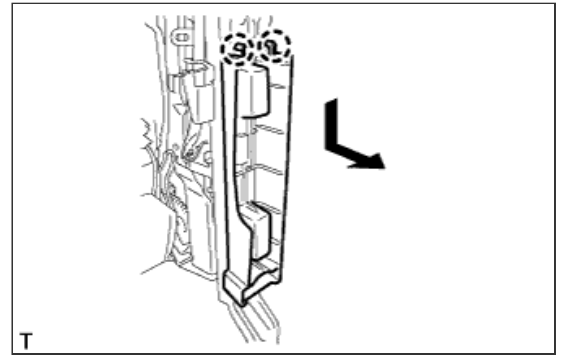
12. REMOVE SEAT ADJUSTER COVER CAP

- a.** Remove the 2 caps.



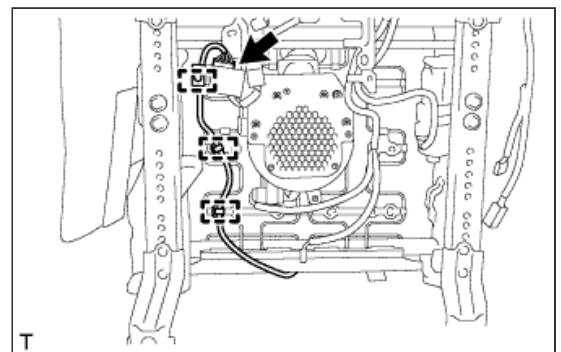
13. REMOVE FRONT SEAT LEG COVER LH

- a.** Detach the 2 claws.
- b.** Move the cover in the direction of the arrow to remove it.

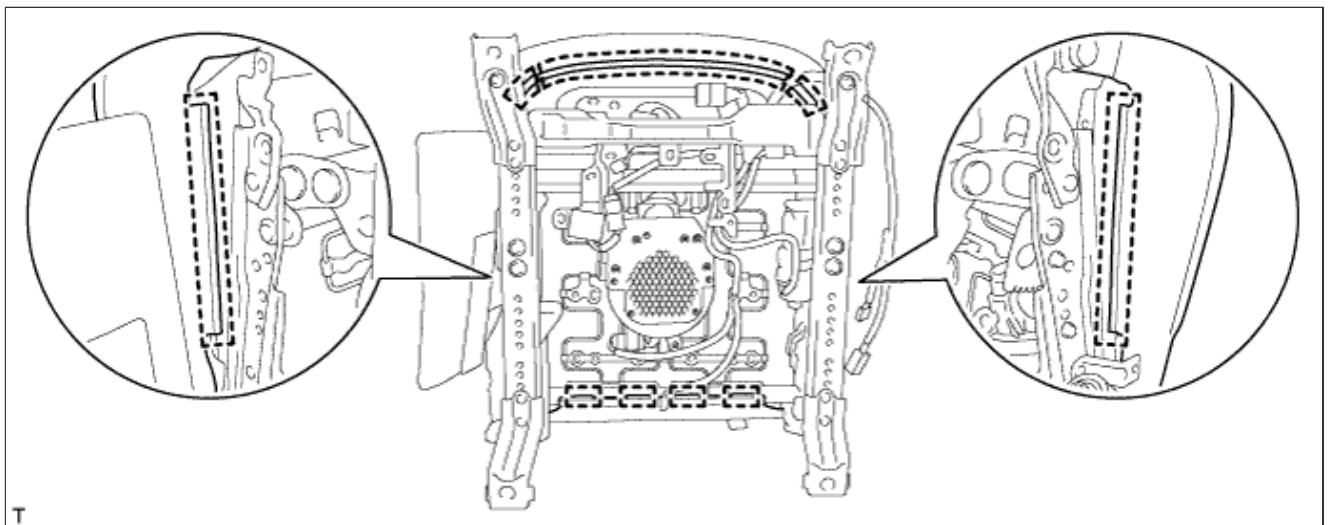


14. REMOVE SEAT CUSHION COVER WITH PAD

- a. Disconnect the seat heater connector and detach the 3 seat heater wire harness clamps.



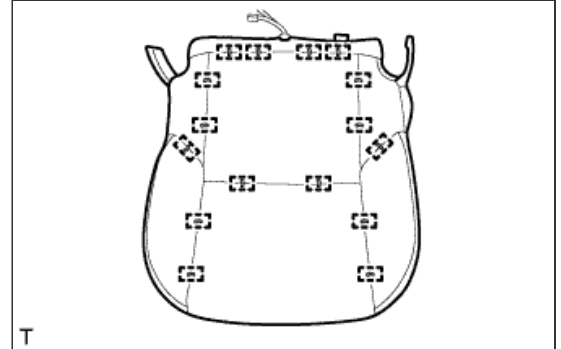
- b. Detach the hooks.



- c. for Front Passenger Side:
Detach the claw and disconnect the occupant detection sensor connector from the seat cushion spring.
- d. Remove the seat cushion cover with pad.

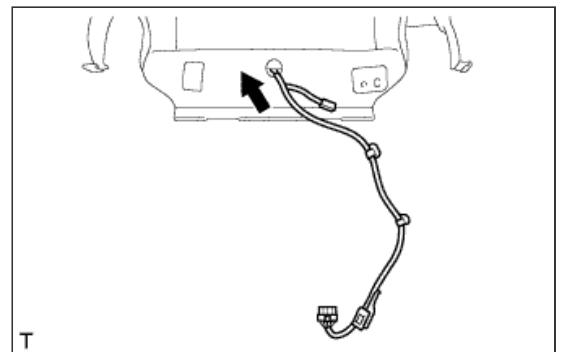
15. REMOVE SEPARATE TYPE FRONT SEAT CUSHION COVER

- a. Remove the hog rings and seat cushion cover from the seat cushion pad.



16. REMOVE FRONT SEAT CUSHION HEATER ASSEMBLY LH

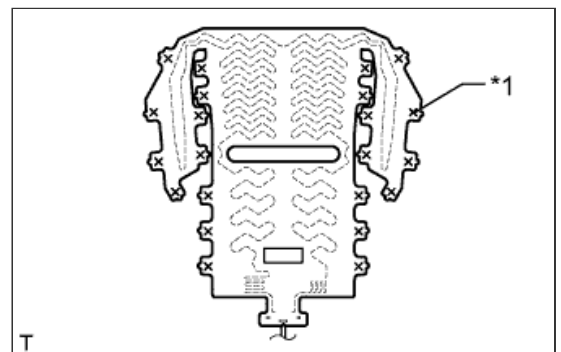
- a. Disconnect the wire harness from the seat cushion cover.



- b. Cut off the tack pins and remove the front seat cushion heater from the front seat cushion cover.

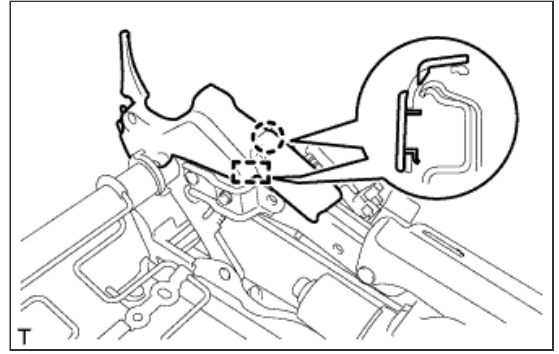
Text in Illustration

*1	Tack Pin
----	----------



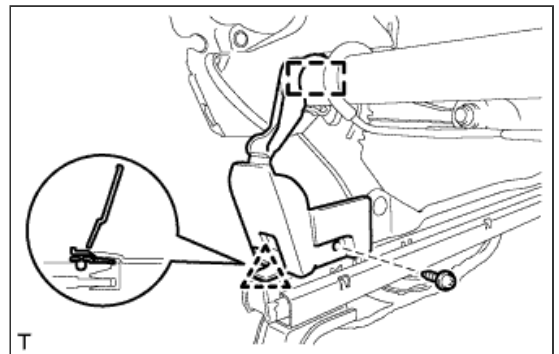
17. REMOVE RECLINING ADJUSTER INSIDE COVER LH

- a. Detach the claw and guide, and then remove the cover.



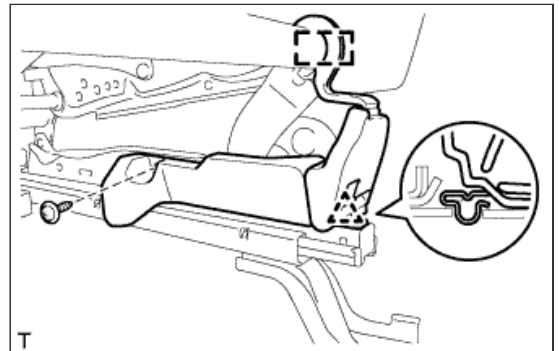
18. REMOVE FRONT SEAT LOWER CUSHION SHIELD LH

- a. Remove the screw.
- b. Detach the hook and clip, and then remove the cushion shield.



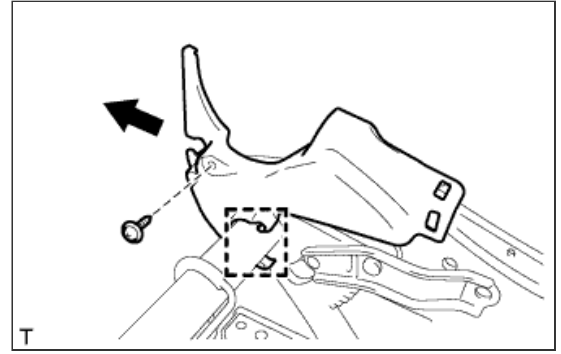
19. REMOVE FRONT SEAT LOWER CUSHION SHIELD RH

- a. Remove the screw.
- b. Detach the hook and clip, and then remove the cushion shield.



20. REMOVE FRONT SEAT CUSHION EDGE PROTECTOR LH

- a. Remove the screw.
- b. Move the protector in the direction of the arrow to detach the hook and remove the protector.



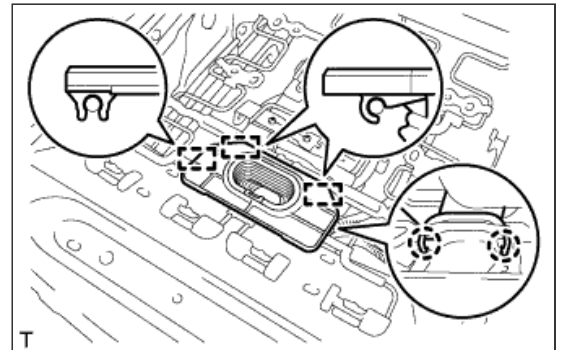
21. REMOVE FRONT SEAT CUSHION EDGE PROTECTOR RH

HINT:

Use the same procedure described for the LH side.

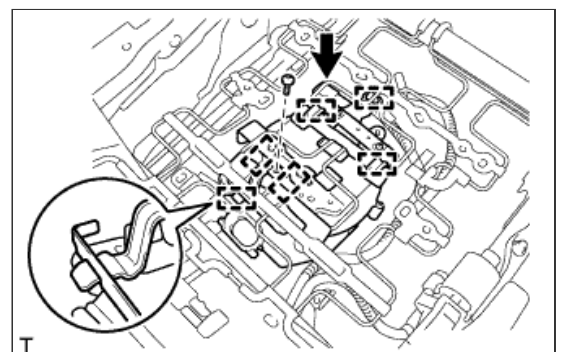
22. REMOVE SEAT CUSHION CLIMATE CONTROL DUCT

- a. Detach the 3 clamps and 2 claws and remove the duct.



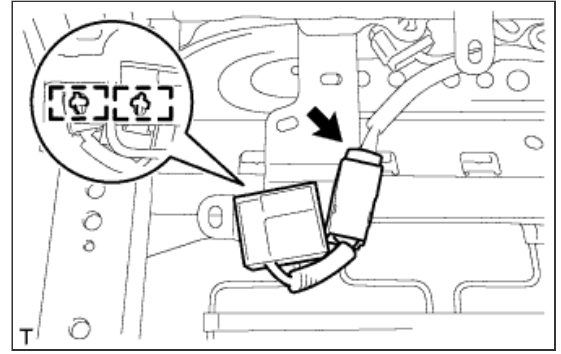
23. REMOVE SEAT CUSHION CLIMATE CONTROL BLOWER ASSEMBLY LH

- a. Disconnect the connector.
- b. Using a T20 "TORX" socket wrench, remove the "TORX" screw.
- c. Detach the 3 guides and remove the bracket.
- d. Detach the 2 guides and remove the blower by pushing it toward the rear.



24. REMOVE SEAT HEATER CONTROL SUB-ASSEMBLY LH

- a. Disconnect the connector.
- b. Detach the 2 clamps and remove the seat heater control.

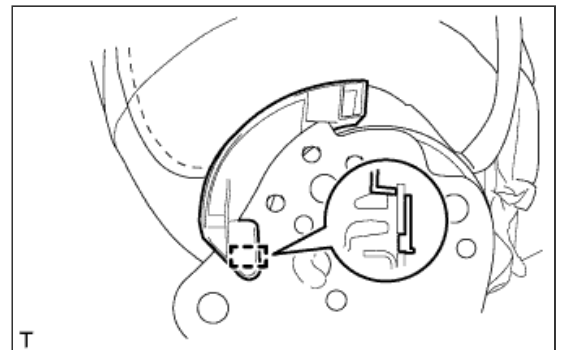


25. REMOVE FRONT SEAT WIRE LH

- a. Remove the seat wire from the seat cushion spring.

26. REMOVE RECLINING ADJUSTER INSIDE COVER LH

- a. Detach the guide and remove the cover.



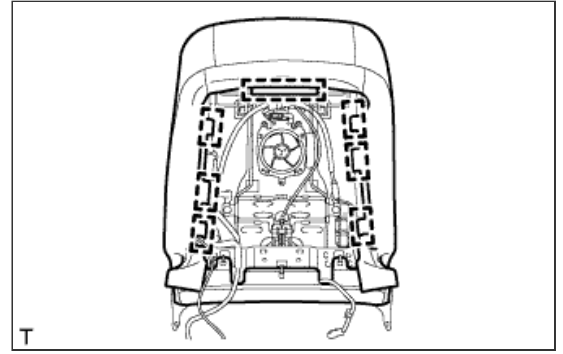
27. REMOVE RECLINING ADJUSTER INSIDE COVER RH

HINT:

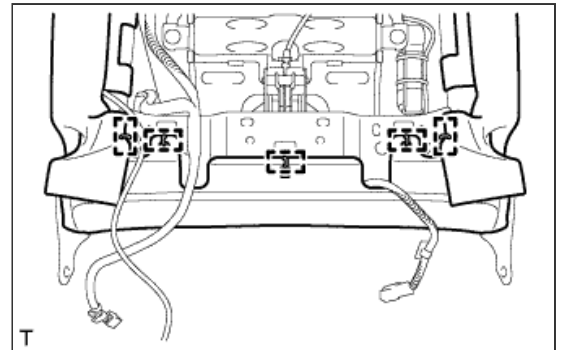
Use the same procedure described for the LH side.

28. REMOVE SEATBACK COVER WITH PAD

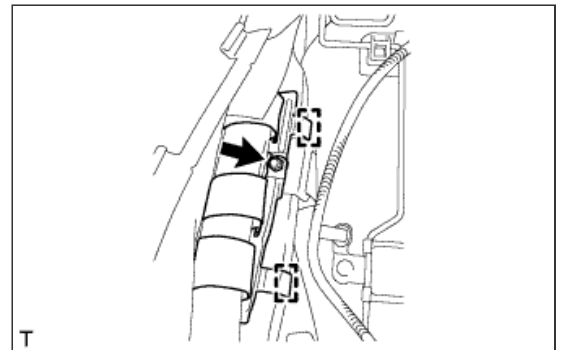
- a. Detach the hooks.



b. Remove the hog rings.

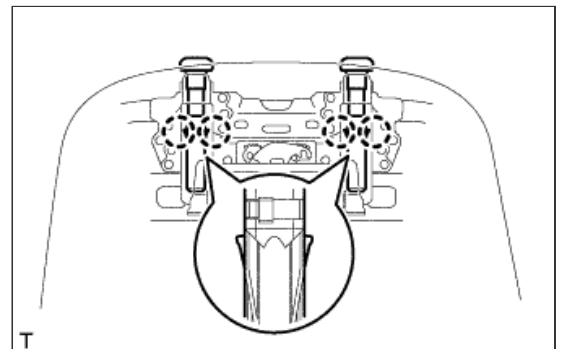


c. Remove the nut, detach the 2 claws and disconnect the seatback cover bracket from the seatback spring.



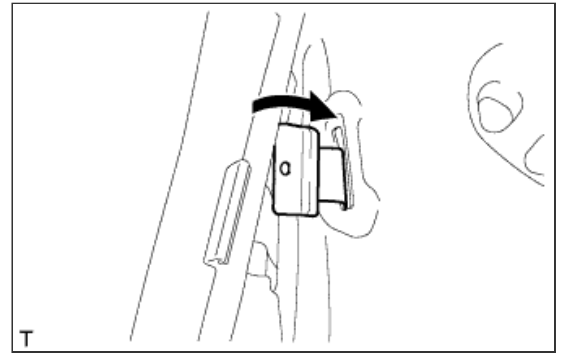
d. Using a screwdriver, detach the 4 claws and remove the 2 headrest supports.

e. Remove the seatback cover with pad from the seatback spring.

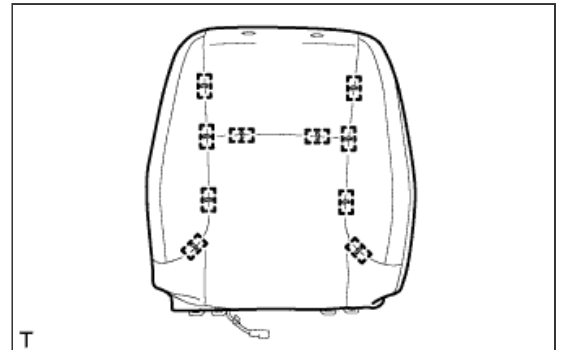


29. REMOVE SEPARATE TYPE FRONT SEATBACK COVER

a. Disconnect the seatback cover bracket from the seatback pad.



b. Remove the hog rings and seatback cover.

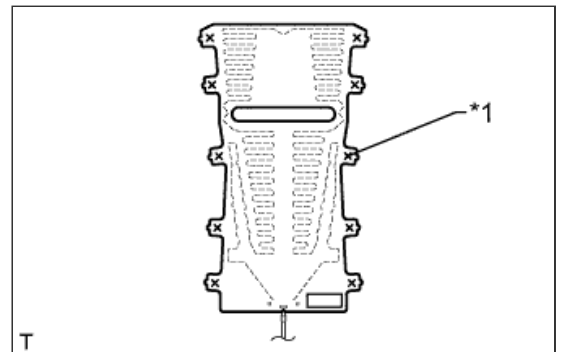


30. REMOVE FRONT SEATBACK HEATER ASSEMBLY LH

a. Cut off the tack pins which fasten the seatback heater to the seatback cover, and then remove the seatback heater from the seatback cover.

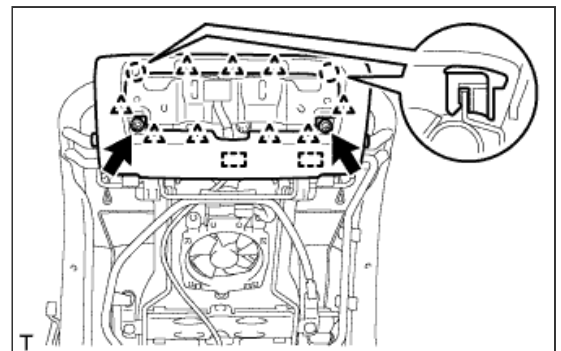
Text in Illustration

*1	Tack Pin
----	----------



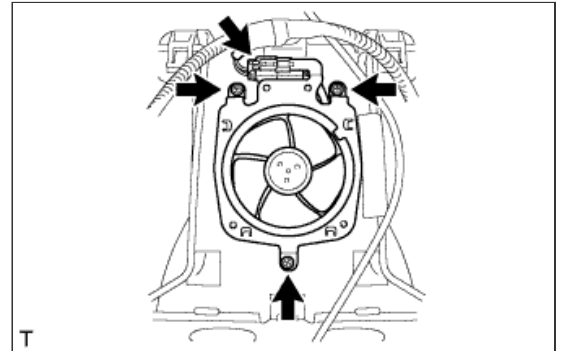
31. REMOVE NO. 1 TELEVISION BASE (w/ Rear Seat Entertainment System)

- a.** Using a clip remover, remove the 9 clips.
- b.** Remove the 2 screws.
- c.** Detach the 2 claws and seat audio wire harness clamp, and then remove the base.



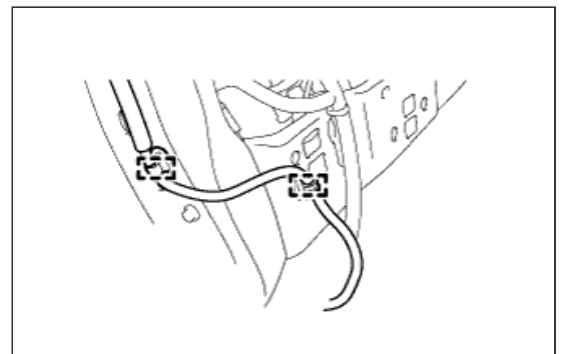
32. REMOVE SEATBACK CLIMATE CONTROL BLOWER LH

- a. Disconnect the connector.
- b. Remove the 3 screws and blower.

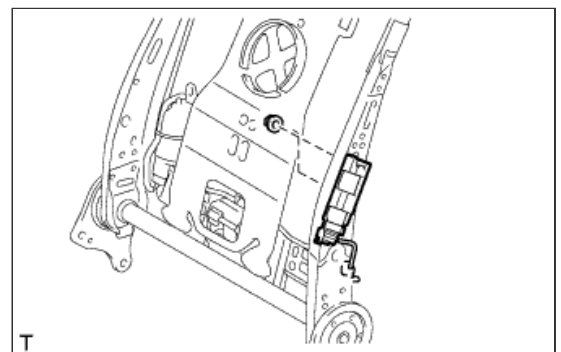


33. REMOVE FRONT SEAT AIRBAG ASSEMBLY LH

- a. Detach the wire harness 2 clamps.

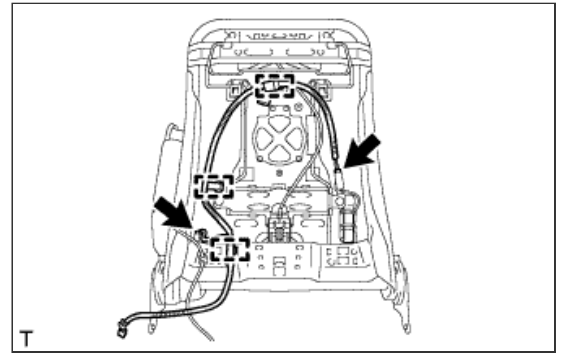


- b. Remove the 2 nuts and airbag.



34. REMOVE NO. 2 SEAT WIRE

- a. Disconnect the 2 connectors.
- b. Detach the 3 clamps and remove the seat wire.



35. REMOVE REAR SEAT WIRE LH (w/ Rear Seat Entertainment System)

- a. Detach the 3 clamps and remove the seat audio wire from the seatback spring.

