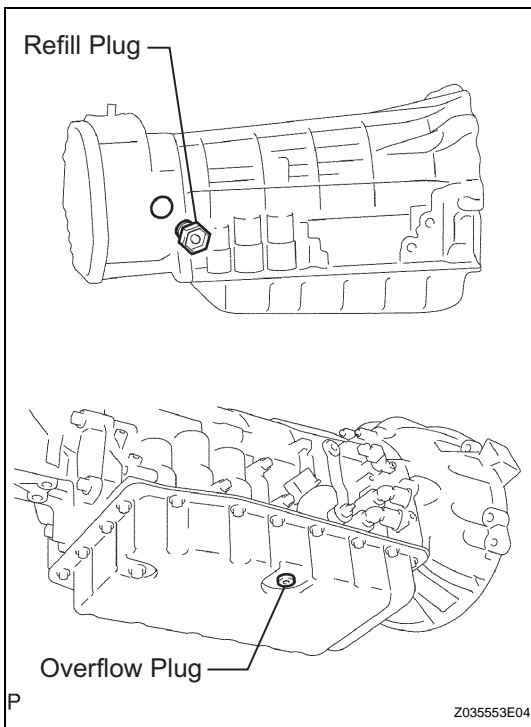


AUTOMATIC TRANSMISSION FLUID

ADJUSTMENT

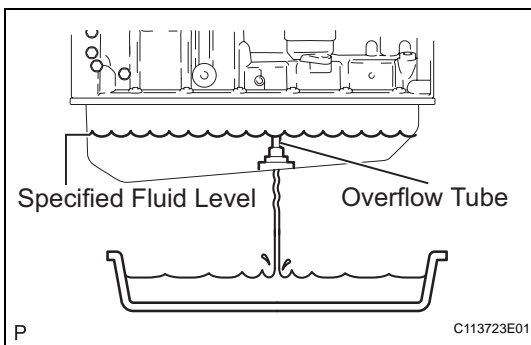
1. BEFORE FILLING TRANSMISSION

- This transmission requires Toyota Genuine ATF WS.
- It is necessary to refill the transmission with the correct amount of fluid.
- The vehicle must remain level while adjusting the transmission fluid level.
- On vehicles equipped with active suspension, turn the suspension control switch OFF if it is necessary to jack up the vehicle with the engine running.



2. TRANSMISSION PAN FILL

- (a) Remove the refill plug and overflow plug.



- (b) Fill the transmission through the refill hole until fluid begins to trickle out of the overflow tube.
 (c) Reinstall the overflow plug.

3. TRANSMISSION FILL

- (a) Fill the transmission with the correct amount of fluid as listed in the table below.
 (b) Reinstall the refill plug to avoid fluid splash.

Repair	Fill Amount
Transmission pan and drain plug removal	1.3 L (1.37 US qts, 1.14 Imp qts)
Transmission valve body removal	3.9 L (4.12 US qts, 3.43 Imp qts)
Torque converter removal	5.3 L (5.60 US qts, 4.66 Imp qts)
Entire transmission assembly	5.3 L (5.60 US qts, 4.66 Imp qts)

HINT:

If you cannot add the listed amount of fluid, do the following:

- Install the refill plug.
- Allow the engine to idle with the air conditioning OFF.
- Move the shift lever through entire gear range to circulate fluid.
- Wait for 30 seconds with the engine idling.
- Stop the engine.
- Remove the refill plug and add fluid.
- Reinstall the refill plug.

4. FLUID CIRCULATION

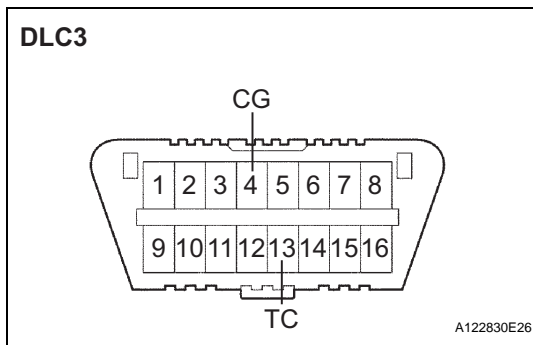
- Allow the engine to idle with the air conditioning OFF.
- Move the shift lever through entire gear range to circulate fluid.

5. FLUID TEMPERATURE CHECK

NOTICE:

The fluid temperature should be less than 30°C (86°F) before beginning the fluid temperature check.

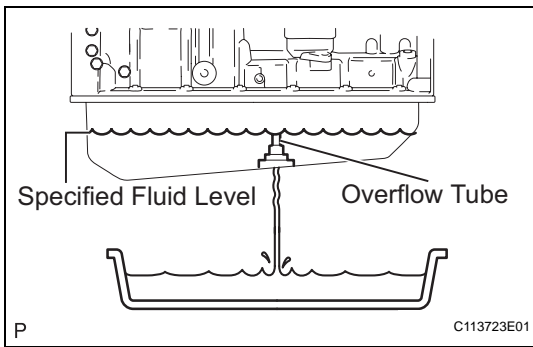
- With intelligent tester
 - Connect the intelligent tester to the DLC3.
 - Select the tester menus: OBD/MOBD, ENGINE, DATA LIST and A/T.
 - Check A/T OIL TEMP.
 - Allow the engine to idle until the fluid temperature reaches 46°C (115°F).
- Without intelligent tester (Using A/T OIL TEMP indicator)
 - Connect terminals between CG (4) and TC (13) of the DLC3 using SST (09843-18040).
SST 09843-18040
 - Move the shift lever back and forth between N and D every 1.5 seconds for six seconds.
 - The D shift indicator on the combination meter comes on for two seconds. This indicates that the fluid temperature check mode has been started.
 - The D shift indicator will come on again when the fluid temperature reaches 46°C (115°F) and will blink when it exceeds 56°C (130°F).
 - Allow the engine to idle until the fluid temperature reaches 46°C (115°F).



6. FLUID LEVEL CHECK

NOTICE:

The fluid temperature must be between 46°C (115°F) and 56°C (130°F) to accurately check the fluid level.



- (a) Remove the overflow plug with the engine idling.
- (b) Check that the fluid comes out of the overflow tube.
If fluid does not come out, proceed to step 7.
If fluid comes out, wait until the overflow slows to a trickle and proceed to step 8.

7. TRANSMISSION REFILL

- (a) Install the overflow plug.
- (b) Stop the engine.
- (c) Remove the refill plug.
- (d) Add 0.4 liters (0.42 US qts, 0.35 Imp qts) of fluid.
- (e) Allow the engine to idle and wait for 10 seconds.
- (f) Proceed to step 6.

8. COMPLETE

- (a) Install the overflow plug with a new gasket.
- (b) Stop the engine.
- (c) Install the refill plug with a new gasket.

Torque: Overflow plug

20 N*m (250 kgf*cm, 15 ft.*lbf)

Refill plug

39 N*m (400 kgf*cm, 29 ft.*lbf)