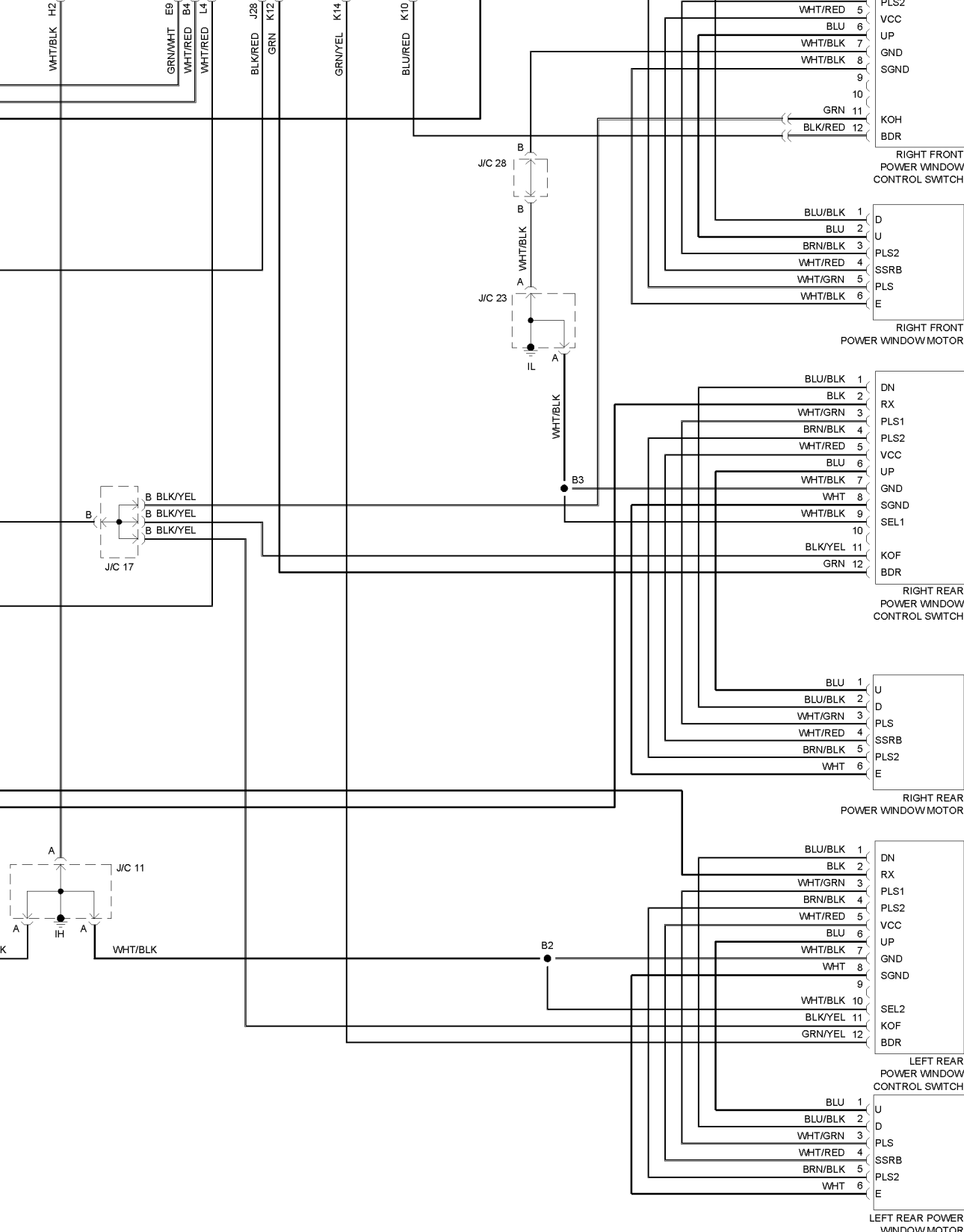


- 1 GRN/WHT
- 2 WHT/RED
- 3 BLK
- 4 BLK/RED
- 5 BLK/YEL
- 6 WHT/RED
- 7 BLK
- 8 BLK
- 9 WHT/BLK



- | | | |
|---------|----|------|
| BLU/BLK | 1 | DN |
| BLK | 2 | RX |
| WHT/GRN | 3 | PLS1 |
| BRN/BLK | 4 | PLS2 |
| WHT/RED | 5 | VCC |
| BLU | 6 | UP |
| WHT/BLK | 7 | GND |
| WHT/BLK | 8 | SGND |
| | 9 | |
| | 10 | |
| GRN | 11 | KOH |
| BLK/RED | 12 | BDR |
- RIGHT FRONT POWER WINDOW CONTROL SWITCH
- | | | |
|---------|---|------|
| BLU/BLK | 1 | D |
| BLU | 2 | U |
| BRN/BLK | 3 | PLS2 |
| WHT/RED | 4 | SSRB |
| WHT/GRN | 5 | PLS |
| WHT/BLK | 6 | E |
- RIGHT FRONT POWER WINDOW MOTOR
- | | | |
|---------|----|------|
| BLU/BLK | 1 | DN |
| BLK | 2 | RX |
| WHT/GRN | 3 | PLS1 |
| BRN/BLK | 4 | PLS2 |
| WHT/RED | 5 | VCC |
| BLU | 6 | UP |
| WHT/BLK | 7 | GND |
| WHT | 8 | SGND |
| WHT/BLK | 9 | SEL1 |
| | 10 | |
| BLK/YEL | 11 | KOF |
| GRN | 12 | BDR |
- RIGHT REAR POWER WINDOW CONTROL SWITCH
- | | | |
|---------|---|------|
| BLU | 1 | U |
| BLU/BLK | 2 | D |
| WHT/GRN | 3 | PLS |
| WHT/RED | 4 | SSRB |
| BRN/BLK | 5 | PLS2 |
| WHT | 6 | E |
- RIGHT REAR POWER WINDOW MOTOR
- | | | |
|---------|----|------|
| BLU/BLK | 1 | DN |
| BLK | 2 | RX |
| WHT/GRN | 3 | PLS1 |
| BRN/BLK | 4 | PLS2 |
| WHT/RED | 5 | VCC |
| BLU | 6 | UP |
| WHT/BLK | 7 | GND |
| WHT | 8 | SGND |
| | 9 | |
| WHT/BLK | 10 | SEL2 |
| BLK/YEL | 11 | KOF |
| GRN/YEL | 12 | BDR |
- LEFT REAR POWER WINDOW CONTROL SWITCH
- | | | |
|---------|---|------|
| BLU | 1 | U |
| BLU/BLK | 2 | D |
| WHT/GRN | 3 | PLS |
| WHT/RED | 4 | SSRB |
| BRN/BLK | 5 | PLS2 |
| WHT | 6 | E |
- LEFT REAR POWER WINDOW MOTOR