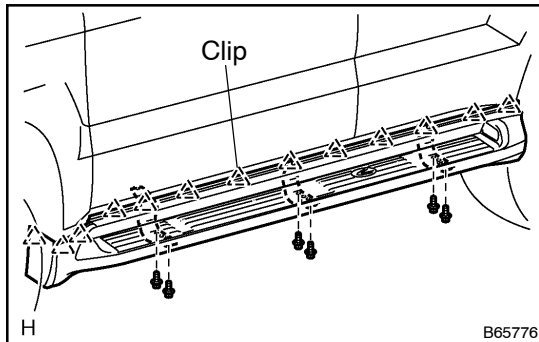


## REPLACEMENT

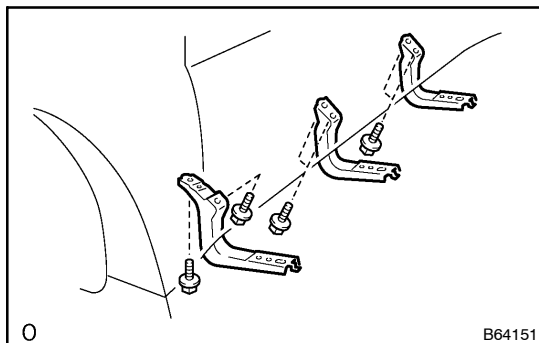
### HINT:

- The installation is in the reverse order of the removal. However, when there is a special point concerning the installation, it is indicated.
- On the RH side, use the same procedures as on the LH side.



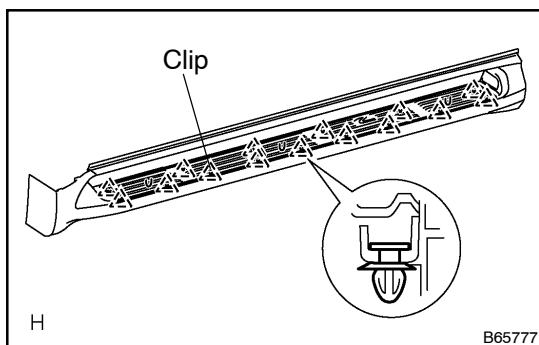
### 1. REMOVE STEP SUB-ASSY LH

- Remove the 6 bolts, 13 clips and step sub-assy.
- Disconnect the step lamp wiring connector.



### 2. REMOVE SIDE STEP BRACKET

- Remove the 6 bolts and 3 brackets.



### 3. REMOVE STEP PLATE LH

- Disengage the 15 clips and remove the step plate from the cover.

### 4. INSTALL SIDE STEP BRACKET

- Install the 3 brackets with the 6 bolts.

**Torque: 18 N·m (184 kgf·cm, 13 ft·lbf)**

### 5. INSTALL STEP SUB-ASSY LH

- Install the step sub-assy with the 6 bolts and 13 clips.

- Connect the step lamp wiring connector.

**Torque: 5.0 N·m (51 kgf·cm, 44 in·lbf)**