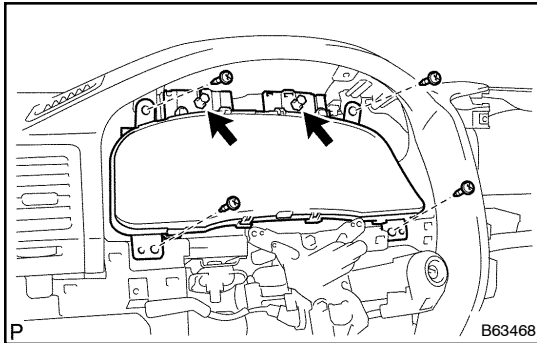


OVERHAUL

HINT:

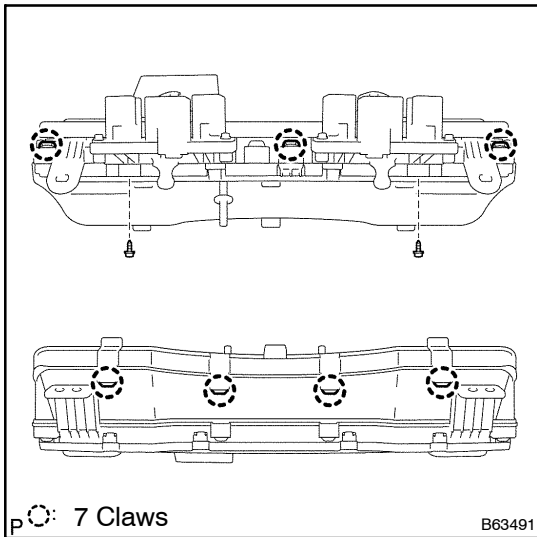
COMPONENTS: See page 71-23

1. REMOVE INSTRUMENT PANEL FINISH PLATE (See page 71-13)
2. REMOVE INSTRUMENT CLUSTER FINISH PANEL ORNAMENT (See page 71-13)
3. REMOVE INSTRUMENT CLUSTER FINISH PANEL SUB-ASSY (See page 71-13)



4. REMOVE COMBINATION METER ASSY

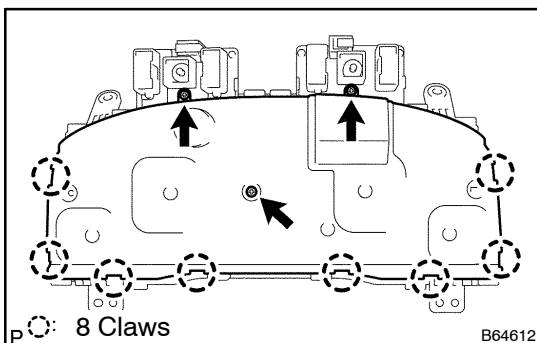
- (a) Remove the 4 screws.
- (b) Loosen the 2 bolts and remove the combination meter assy.



5. REMOVE SPEEDOMETER GLASS

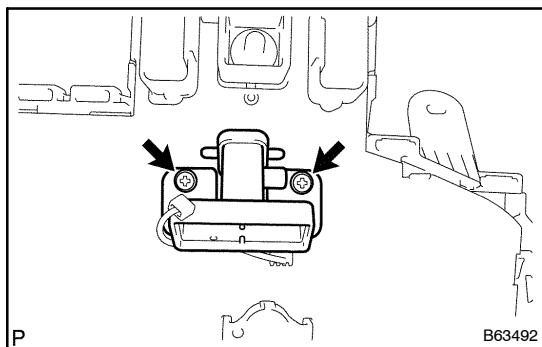
- (a) Remove the 2 screws.
- (b) Disengage the 7 claws and remove the speedometer glass.

6. REMOVE COMBINATION METER COVER NO.1

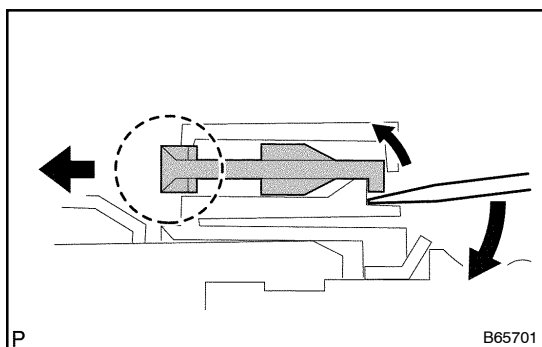


7. REMOVE COMBINATION METER COVER NO.2

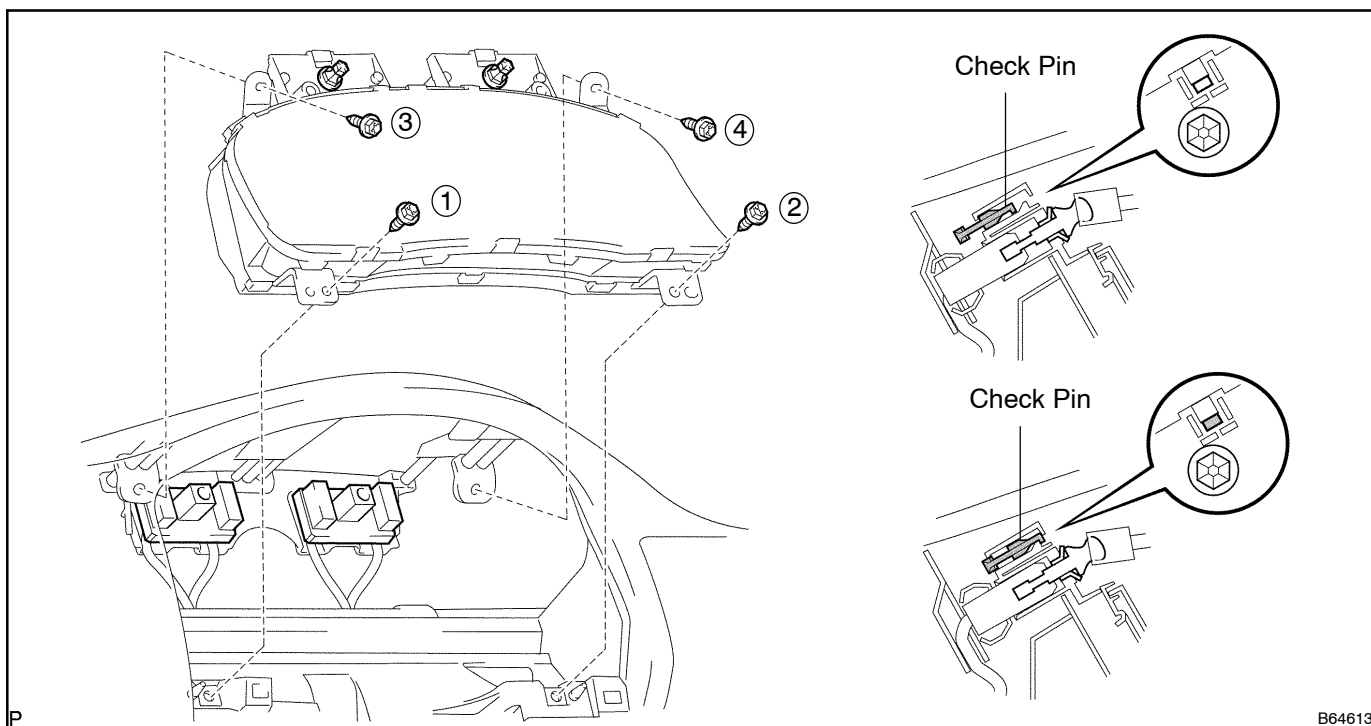
- (a) Remove the 3 screws.
- (b) Disengage the 8 claws and remove the combination meter cover No.2.

**8. REMOVE INCLINATION SENSOR ASSY**

- (a) Remove the 2 screws.
- (b) Disconnect the connectors and remove the inclination sensor assy.

**9. INSTALL COMBINATION METER ASSY**

- (a) Pull the check pin backward while pressing the check pin with a flat-head screwdriver as shown in the illustration.
- (b) Check that the wire harness connector is engaged in the instrument panel safety pad installation position.
- (c) Install the 4 screws in order as shown in the illustration.
- (d) Tighten the 2 connector fitting bolts until a clicking sound can be heard.
- (e) After tightening, check that the check pin protrudes.



10. INCLINATION SENSOR ZERO DEGREE CORRECTION

NOTICE:

- When replacing or removing/installing the combination meter assy and inclination sensor assy, be sure to perform zero degree correction of the inclination sensor.
 - When performing zero degree correction, install the combination meter assy and perform it in level surface.
 - Also perform zero degree correction when the body level setting is inclined because of vehicle height adjustment.
- (a) Turn the ignition switch off.
- (b) While pressing the RESET switch, turn the ignition switch on.
- (c) Within 5 seconds after the ignition switch is turned on, repeat pressing and releasing the RESET switch 3 times and keep holding the last press for more than 5 seconds. (Buzzer sounds for a second.)

NOTICE:

If the buzzer does not sound, perform this procedure from the beginning.

- (d) Release the RESET switch when buzzer sounds.
- (e) Press the RESET switch again and keep pressing for more than 5 seconds. (Buzzer sounds for a second again.)

HINT:

- When the buzzer sounds twice, reset operation is completed.
- The buzzer sound of the first and second time is the same.

NOTICE:

If the buzzer does not sound or keep sounding for more than 1 second, perform the procedure from the beginning.

