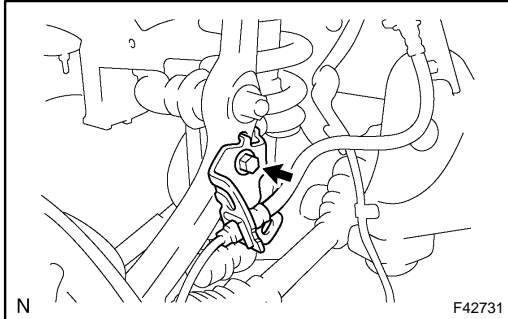


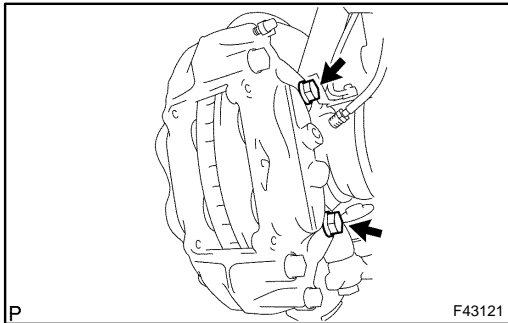
REPLACEMENT

1. REMOVE FRONT WHEEL



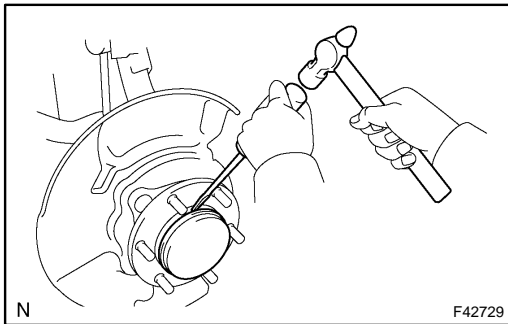
2. REMOVE FRONT DISC BRAKE CALIPER ASSY LH

- (a) Remove the bolt and separate the brake tube bracket from the steering knuckle.
- (b) Using SST, disconnect the brake tube from the front disc brake caliper assy LH.
SST 09023-00101



- (c) Remove the 2 bolts and front disc brake caliper assy LH.

3. REMOVE FRONT DISC

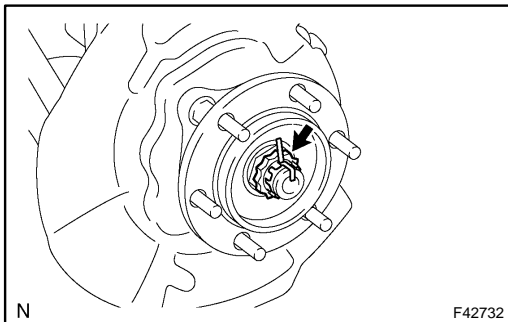


4. REMOVE FRONT AXLE HUB GREASE CAP LH

- (a) Using a screwdriver and a hammer, remove the front axle hub grease cap LH.

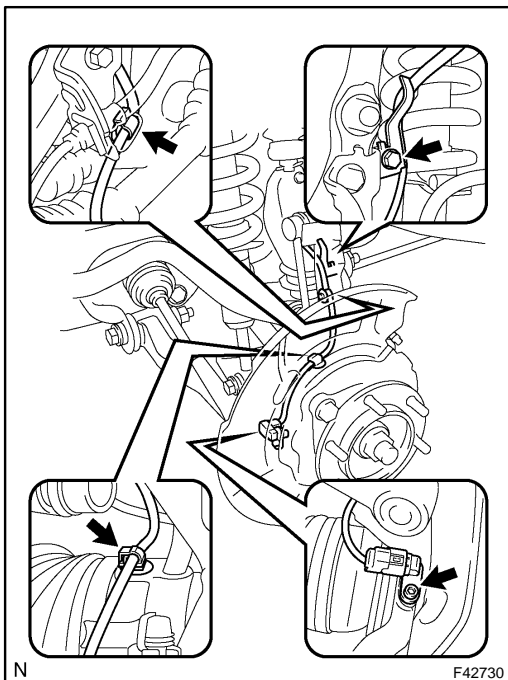
NOTICE:

Do not damage the axle hub.

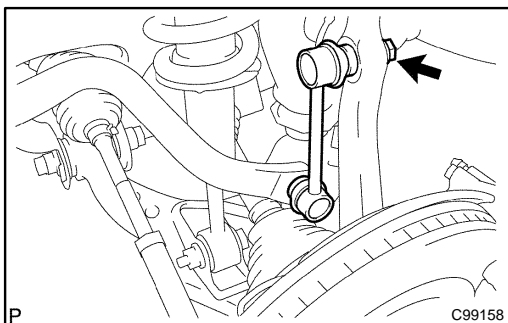


5. REMOVE FRONT AXLE HUB LH NUT

- (a) Remove the cotter pin and a lock cap.
- (b) Remove the front axle hub LH nut.

**6. SEPARATE SPEED SENSOR FRONT LH (W/ ABS)**

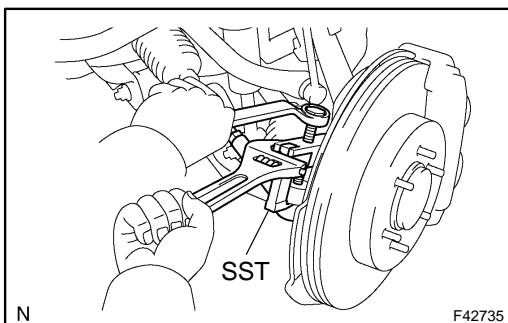
- (a) Using a hexagon wrench, separate the speed sensor front LH.
- (b) Disconnect the 2 clamp.
- (c) Remove the bolt and separate the speed sensor wire harness from the steering knuckle.

**7. SEPARATE FRONT STABILIZER LINK ASSY LH**

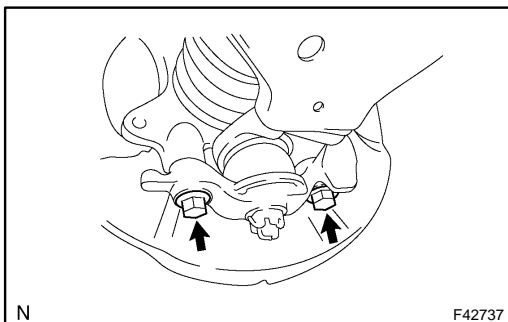
- (a) Remove the nut and separate the stabilizer link assy LH from the steering knuckle.

HINT:

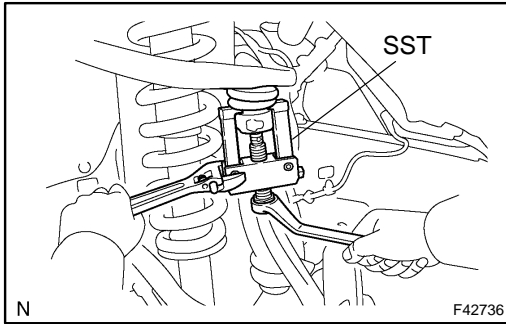
If the ball joint turns together with the nut, use a hexagon (6 mm) wrench to hold the stud.

**8. SEPARATE TIE ROD END SUB-ASSY LH**

- (a) Remove the cotter pin and nut.
- (b) Using SST, separate the tie rod end sub-assy LH from the steering knuckle.
SST 09628-6201 1

**9. SEPARATE FRONT SUSPENSION ARM SUB-ASSY LOWER NO.1 LH**

- (a) Remove the 2 bolts and separate the front suspension arm sub-assy lower No.1 LH from the steering knuckle.

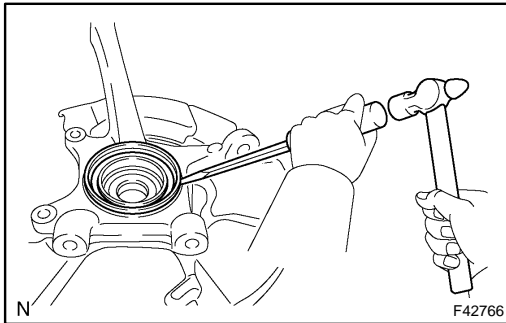


10. SEPARATE FRONT SUSPENSION UPPER ARM ASSY LH

- (a) Remove the cotter pin and nut.
- (b) Using SST, separate the steering knuckle from the front suspension upper arm assy LH.
SST 09628-6201 1

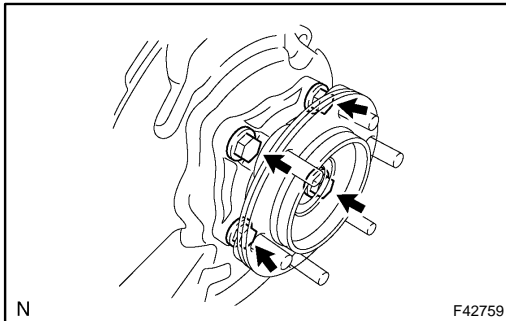
11. REMOVE FRONT AXLE HUB SUB-ASSY LH

- (a) Using a plastic hammer, separate the front axle hub from the front drive shaft.
- (b) Remove the front axle hub sub-assy LH.



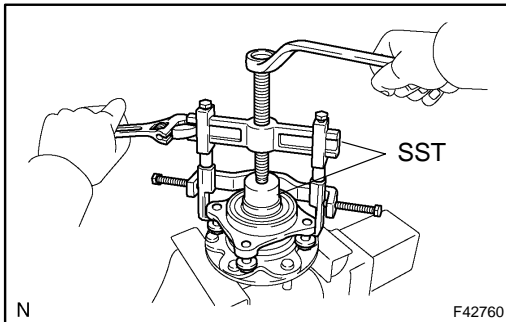
12. REMOVE STEERING KNUCKLE LH OIL SEAL

- (a) Using a screwdriver and hammer, remove the steering knuckle LH oil seal.

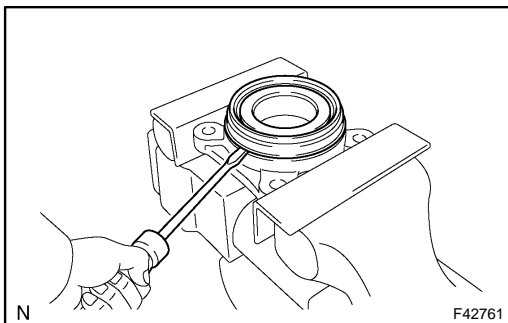


13. REMOVE FRONT AXLE HUB SUB-ASSY LH

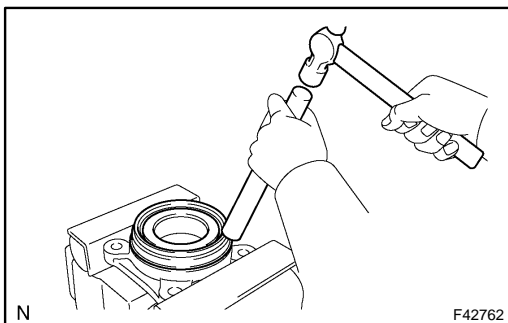
- (a) Remove the 4 bolts and axle hub from the steering knuckle.
- (b) Remove the O-ring from the axle hub.



- (c) Fix the front axle hub soft in vise.
- (d) Using SST, remove the bearing.
SST 09710-30021 (09710-03051), 09950-40011 (09951-04020, 09952-04010, 09953-04020, 09954-04010, 09955-04061, 09957-04010, 09958-0401 1)

**14. REMOVE FRONT AXLE HUB LH OIL SEAL**

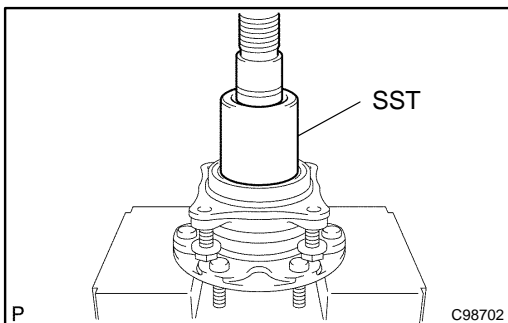
- (a) Using a screwdriver, remove the front axle hub LH oil seal.
SST 09308-00010

**15. INSTALL FRONT AXLE HUB LH OIL SEAL**

- (a) Using a brass bar and a hammer, install the new front axle hub LH oil seal.

NOTICE:

Do not damage the spacer.

**16. INSTALL FRONT AXLE HUB SUB-ASSY LH**

- (a) Using SST and a press, install the new bearing to the front axle hub.

SST 09649-17010

HINT:

Preset the 4 bolts to the new bearing before a press.

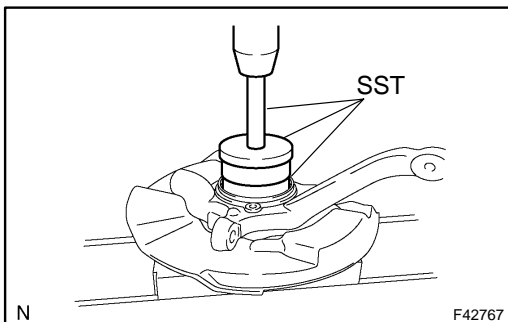
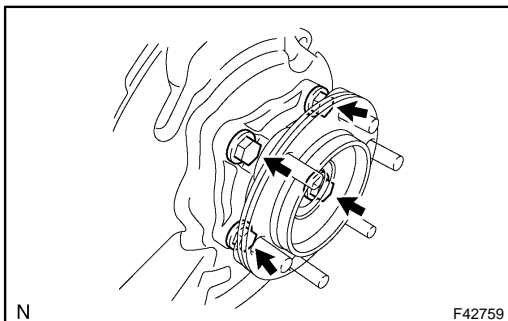
- (b) Apply the MP grease to a new O-ring.
(c) Install the O-ring to the axle hub.

NOTICE:

Do not damage the speed sensor rotor.

- (d) Install the dust cover, axle hub to the steering knuckle with the 4 bolts.

Torque: 80 N·m (816 kgf·cm, 59 ft·lbf)

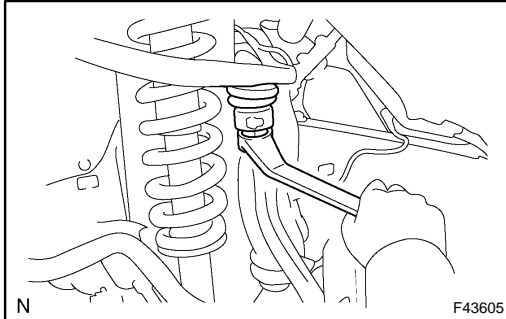
**17. INSTALL STEERING KNUCKLE LH OIL SEAL**

- (a) Using SST and a press, install a new steering knuckle LH oil seal.

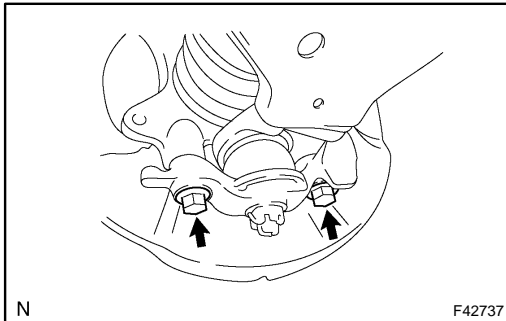
SST 09527-17011, 09950-70010 (09951-07100),
09951-01000

18. INSTALL FRONT AXLE HUB SUB-ASSY LH**NOTICE:**

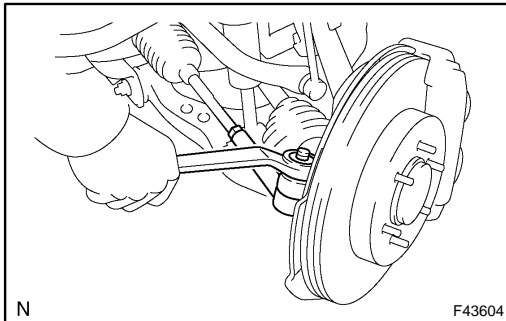
- Do not damage the speed sensor rotor.
- Inspect no damage and no foreign matter at the speed sensor rotor.

**19. INSTALL FRONT SUSPENSION UPPER ARM ASSY LH**

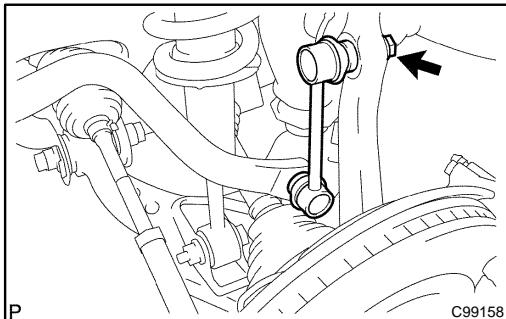
- Install the front suspension upper arm assy LH with a nut.
Torque: 110 N·m (1,122 kgf·cm, 81 ft·lbf)
- Install a new cotter pin.

**20. INSTALL FRONT SUSPENSION ARM SUB-ASSY LOWER NO.1 LH**

- Install the front suspension arm sub-assy lower No.1 LH with the 2 bolts.
Torque: 225 N·m (2,294 kgf·cm, 166 ft·lbf)

**21. INSTALL TIE ROD END SUB-ASSY LH**

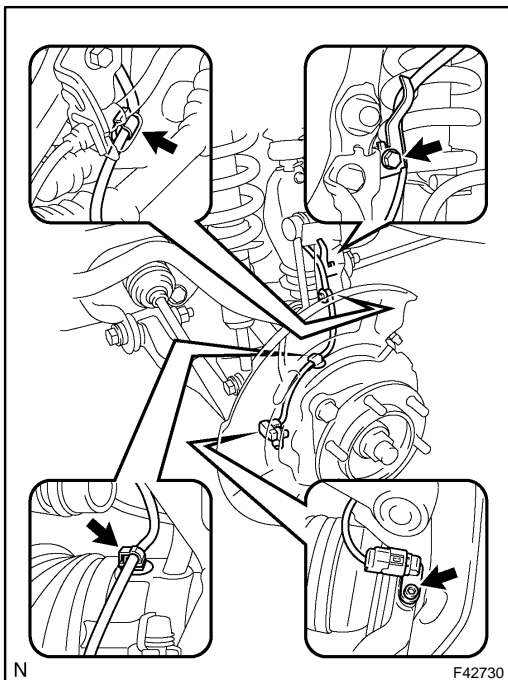
- Install the tie rod end sub-assy LH with a nut.
Torque: 91 N·m (928 kgf·cm, 67 ft·lbf)
- Install a new cotter pin.

**22. INSTALL FRONT STABILIZER LINK ASSY LH**

- Install the stabilizer link with a nut to the steering knuckle.
Torque: 70 N·m (714 kgf·cm, 52 ft·lbf)

HINT:

If the ball joint turns together with the nut, use a hexagon (6 mm) wrench to hold the stud.

**23. INSTALL SPEED SENSOR FRONT LH (W/ ABS)**

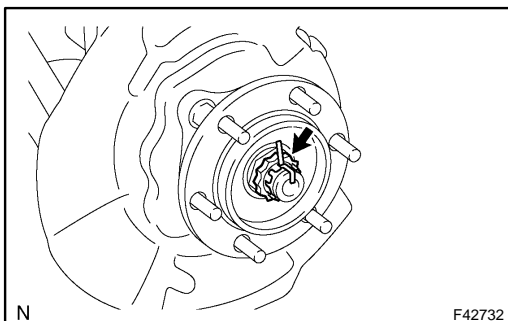
- (a) Install the speed sensor wire harness to the steering knuckle with a bolt.

Torque: 13 N·m (133 kgf·cm, 10 ft·lbf)

- (b) Connect the 2 clips.

- (c) Using a hexagon wrench, install the speed sensor with the bolt.

Torque: 8.3 N·m (85 kgf·cm, 73 in·lbf)

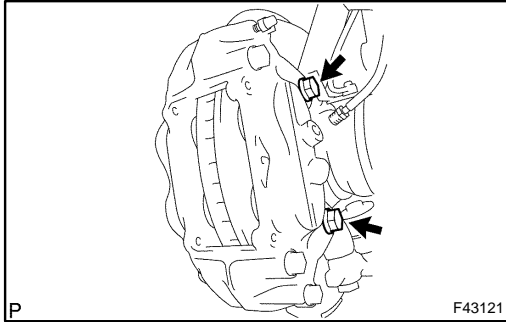
**24. INSTALL FRONT AXLE HUB LH NUT**

- (a) Install the hub nut.

Torque: 235 N·m (2,396 kgf·cm, 173 ft·lbf)

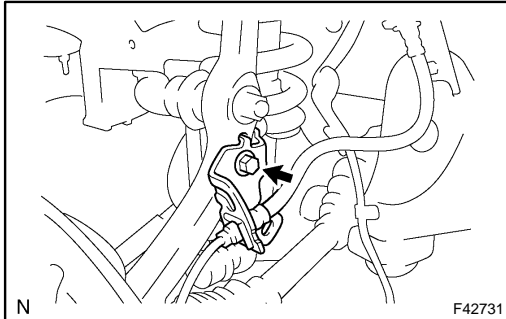
- (b) Install the adjusting cap and a new cotter pin.

- 25. INSPECT BEARING BACKLASH (See page 30-2)**
26. INSPECT AXLE HUB DEVIATION (See page 30-2)
27. INSTALL FRONT AXLE HUB GREASE CAP LH
28. INSTALL FRONT DISC



29. INSTALL FRONT DISC BRAKE CALIPER ASSY LH

- (a) Install the front disc brake caliper assy LH with the 2 bolts.
Torque: 123 N·m (1,254 kgf·cm, 91 ft·lbf)



- (b) Install the brake tube bracket to the steering knuckle with a bolt.

Torque: 29 N·m (296 kgf·cm, 21 ft·lbf)

- (c) Using SST, connect the brake tube to the disc brake caliper assy.

SST 09023-00101

Torque: 15 N·m (155 kgf·cm, 11 ft·lbf)

30. BLEED BRAKE LINE (See page 32-4)

31. CHECK FLUID LEVEL IN RESERVOIR (See page 32-4)

32. CHECK BRAKE FLUID LEAKAGE (See page 32-4)

33. INSTALL FRONT WHEEL

Torque: 112 N·m (1,142 kgf·cm, 83 ft·lbf)

34. INSPECT AND ADJUST FRONT WHEEL ALIGNMENT (See page 26-7)

35. CHECK ABS SPEED SENSOR SIGNAL (W/ ABS) (See page 05-738)