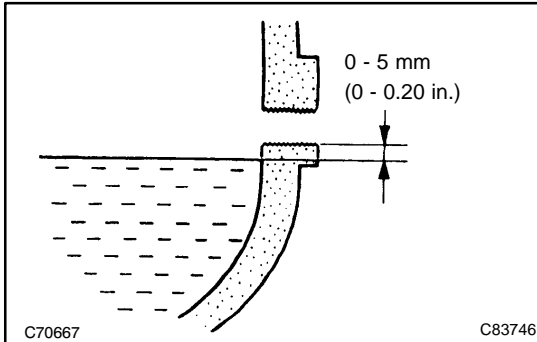


TRANSFER OIL ADJUSTMENT

3102D-04



1. INSPECT TRANSFER OIL

- (a) Remove the case plug No.1 (filler plug) and gasket.
- (b) Check the oil level is within 0 - 5 mm (0 - 0.20 in.) down from the lowest end of the hole for case plug No.1 (filler plug).

NOTICE:

- **When changing oil, recheck the oil level after driving.**
 - **Excessively large or small quantity of oil may cause some trouble.**
- (c) When the oil level is too low, check for oil leakage.
 - (d) Tighten the case plug No.1 (filler plug) with a new gasket.
Torque: 37 N·m (377 kgf·cm, 27 ft·lbf)

2. ADJUST TRANSFER OIL

- (a) Remove the case plug No.1 (filler plug) and gasket, and supply oil.

NOTICE:

- **When supplying oil, pour it slowly.**
- **Repeat supplying oil several times at several minutes interval.**

HINT:

Within 0 - 5 mm (0 - 0.20 in.) down from the lowest end of the hole for the case plug No.1 (filler plug).

- (b) After leaving it alone for 5 min., check the oil level again.
- (c) Tighten the case plug No.1 (filler plug) with a new gasket.

Torque: 37 N·m (377 kgf·cm, 27 ft·lbf)