



**Technical Service
Information Bulletin**

May 23, 2006

Title:

MIRROR MEMORY INACCURATE AFTER REVERSE TILT

Models:

'03 - '06 GX 470

ELECTRICAL
EL006-06

Introduction Some 2003 - 2006 model year GX 470 vehicles may experience a condition where one or both of the outer rear view mirrors will not return to the memory position. This condition does not affect manual operation of the outer rear view mirrors from the adjustment switch. An updated mirror actuator is available to correct this condition.

- Applicable Vehicles**
- **2003 - 2006** model year **GX 470** vehicles produced **BEFORE** the Production Change Effective VIN shown below.

**Production
Change
Information**

MODEL	PRODUCTION CHANGE EFFECTIVE VIN
GX 470	JTJBT20X#60114322

**Parts
Information**

PREVIOUS PART NUMBER	CURRENT PART NUMBER	PART NAME	QTY
87909-60730	87909-60731	Actuator Sub-assembly, LH	1
87908-60840	87908-60841	Actuator Sub-assembly, RH	1

**Warranty
Information**

OP CODE	DESCRIPTION	TIME	OFP	T1	T2
EL5074	R & R Actuator Sub-assembly (One Side)	0.4	87909-60730	73	99
Combo A	Opposite Side	0.2	87908-60840		

Applicable Warranty*:

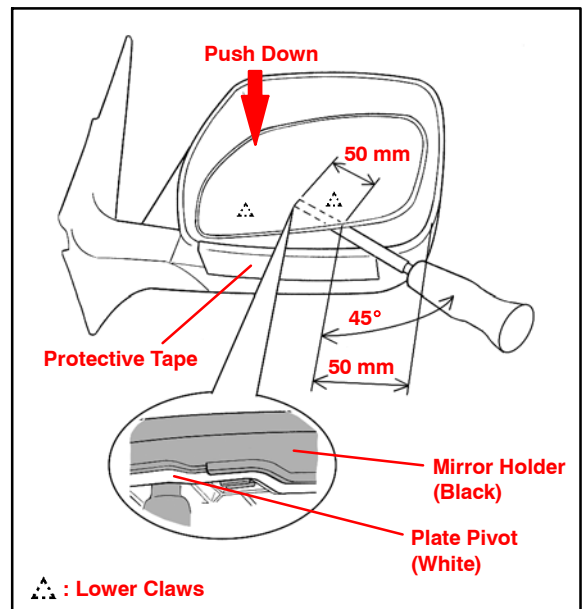
This repair is covered under the Lexus Comprehensive Warranty. This warranty is in effect for 48 months or 50,000 miles, whichever occurs first, from the vehicle's in-service date.

* Warranty application is limited to correction of a problem based upon a customer's specific complaint.

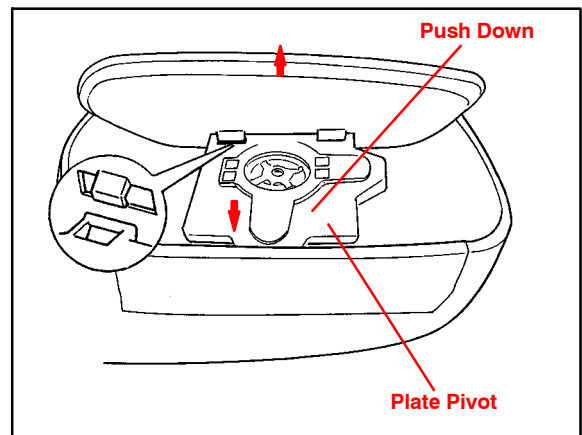


Repair Procedure

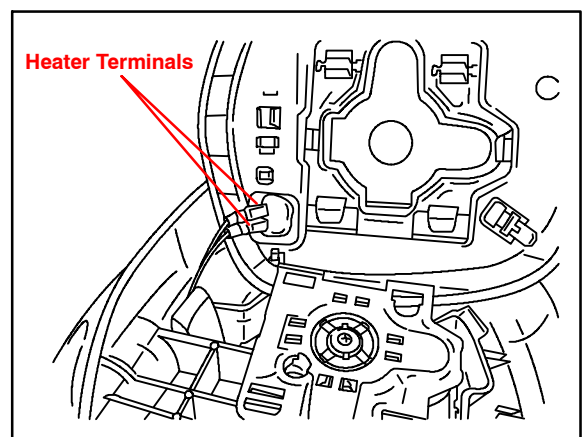
1. Disconnect the mirror.
 - A. Disconnect the negative (-) battery terminal.
 - B. To prevent damage, apply protective tape on the lower side of the mirror body.
 - C. Push the upper corner of the mirror to tilt out the lower corner.
 - D. Insert a flat blade screwdriver between the mirror holder (black) and plate pivot (white), and twist to disconnect the two (2) lower claws.



- E. Push the lower side of the plate pivot to tilt it down.
 - F. Pull up the mirror to disconnect the two (2) upper claws.

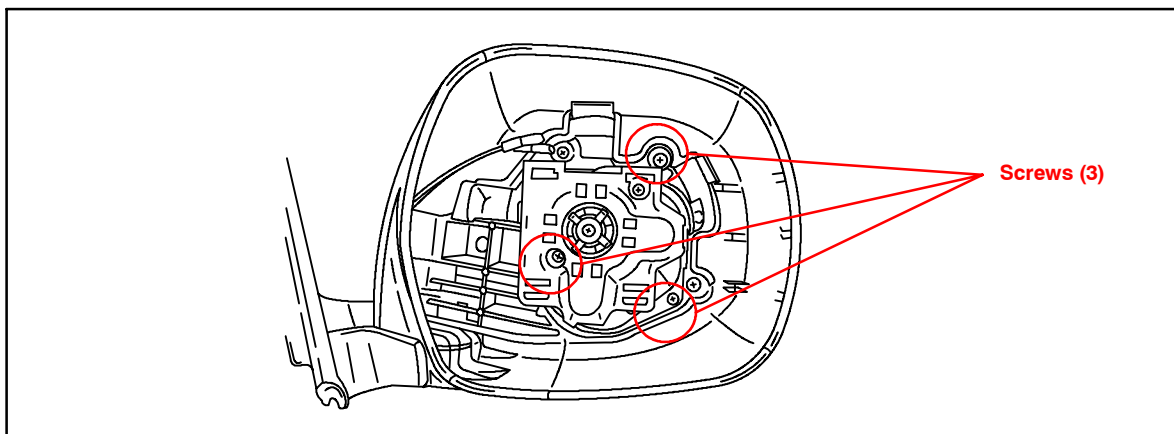


- G. **For heated mirrors:** Disconnect both 1-pin connectors from the mirror assembly.

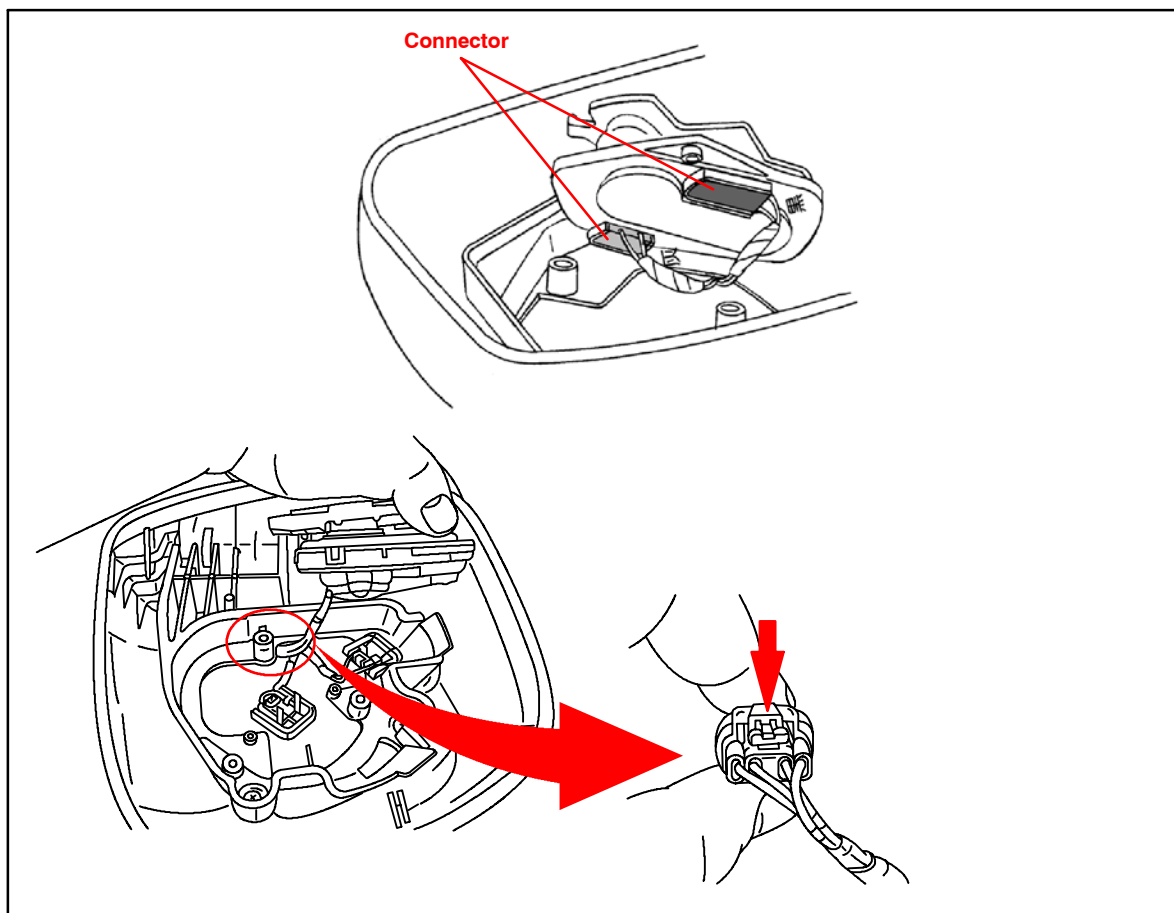


**Repair
Procedure**
(Continued)

2. Remove the mirror actuator.
 - A. Remove the three (3) screws from the actuator.



- B. Gently disconnect the three (3) connectors from the mirror actuator.



NOTE:

Disconnect the hidden 5-pin connector by pushing down on the lock tab.

- C. Remove the OLD actuator and discard.

Repair Procedure
(Continued)

3. Assemble a NEW actuator and mirror.

Reassembly is the reverse order of disassembly.

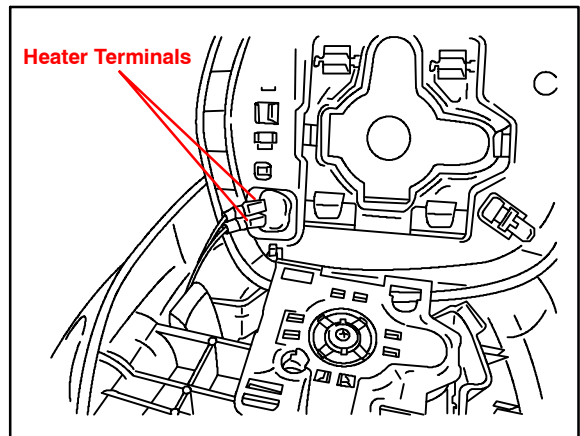
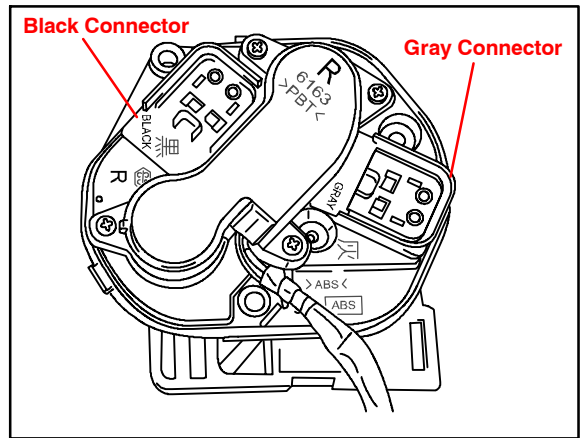
You **MUST** fit in the harness connector correctly.

Confirm correct connector color indication on the back surface of the mirror actuator (one gray and one black flat 2-pin connector).

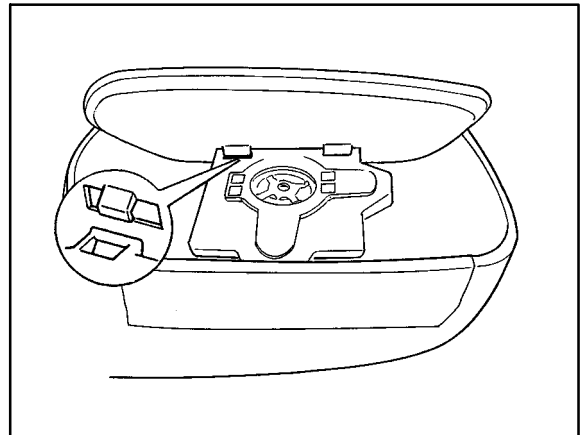
- A. Tighten the three (3) screws for the actuator.

Torque: 1.5 - 1.96 N•m
(15.30 - 19.99 kgf•cm,
13.28 - 17.35 in.•lbf)

- B. **For heated mirrors:** Resecure the heater terminals.



- C. Hook the upper claws of the mirror holder into the plate pivot.



**Repair
Procedure**
(Continued)

- D. Reconnect the mirror holder —
Apply pressure to the indicated
areas until you hear the holder
clips snap into place.

CAUTION:

If pressure is applied in areas other than the ones indicated, the mirror glass may break.

4. Repeat steps 1B through 3D on the opposite side rear view mirror.
5. Reconnect the negative (-) battery terminal.
6. Test normal operation of mirrors.
7. Remove the protective tape and clean the mirror housing and glass.
8. Re-initialize power systems.
To re-initialize power systems, refer to TSIB No. PD009-06, "Power System Initialization During PDS."

