

SHERIFF



Under Run AT Case and Transfer Box Protective Shield Installation Instructions

LEXUS GX 460

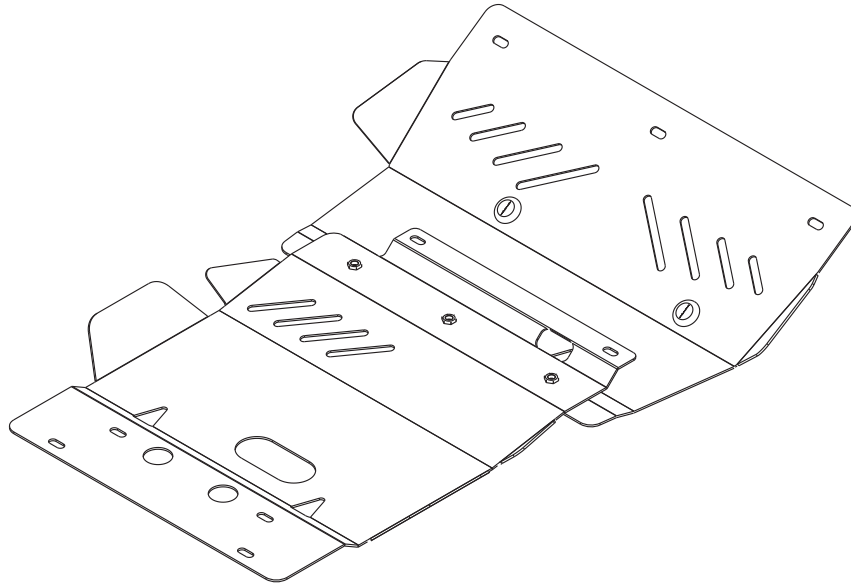


Toyota Land Cruiser 150



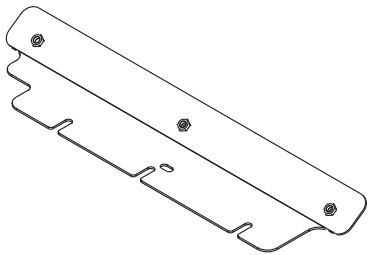
Model Year	GX460; 20	LC150 Diesel;	LC150 Petrol 007
Vehicle Code	URJ150L - GKTZKW; X	KDJ15* L - G * * * YW; GRJ150L - G * * * KW	
Part Number			PZ4AL- 01698- 00
 Weight			19.83Kg
 Installation Time			30min
Manual reference number			AIM 001 -929-0

A



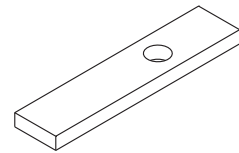
PZ4AL- 01698- 60

B



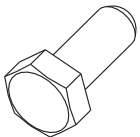
X1

C



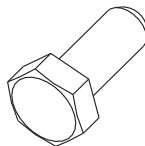
X 2 SD 3004

D1



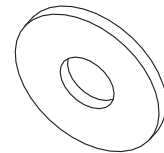
8 x M 10x 20

D2

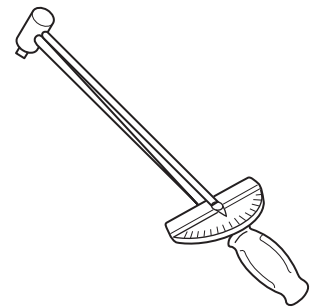
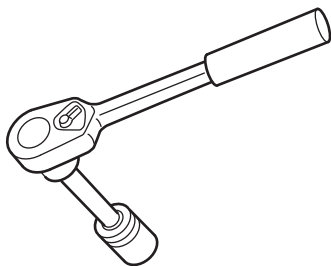


2 x M 10x1.25x30

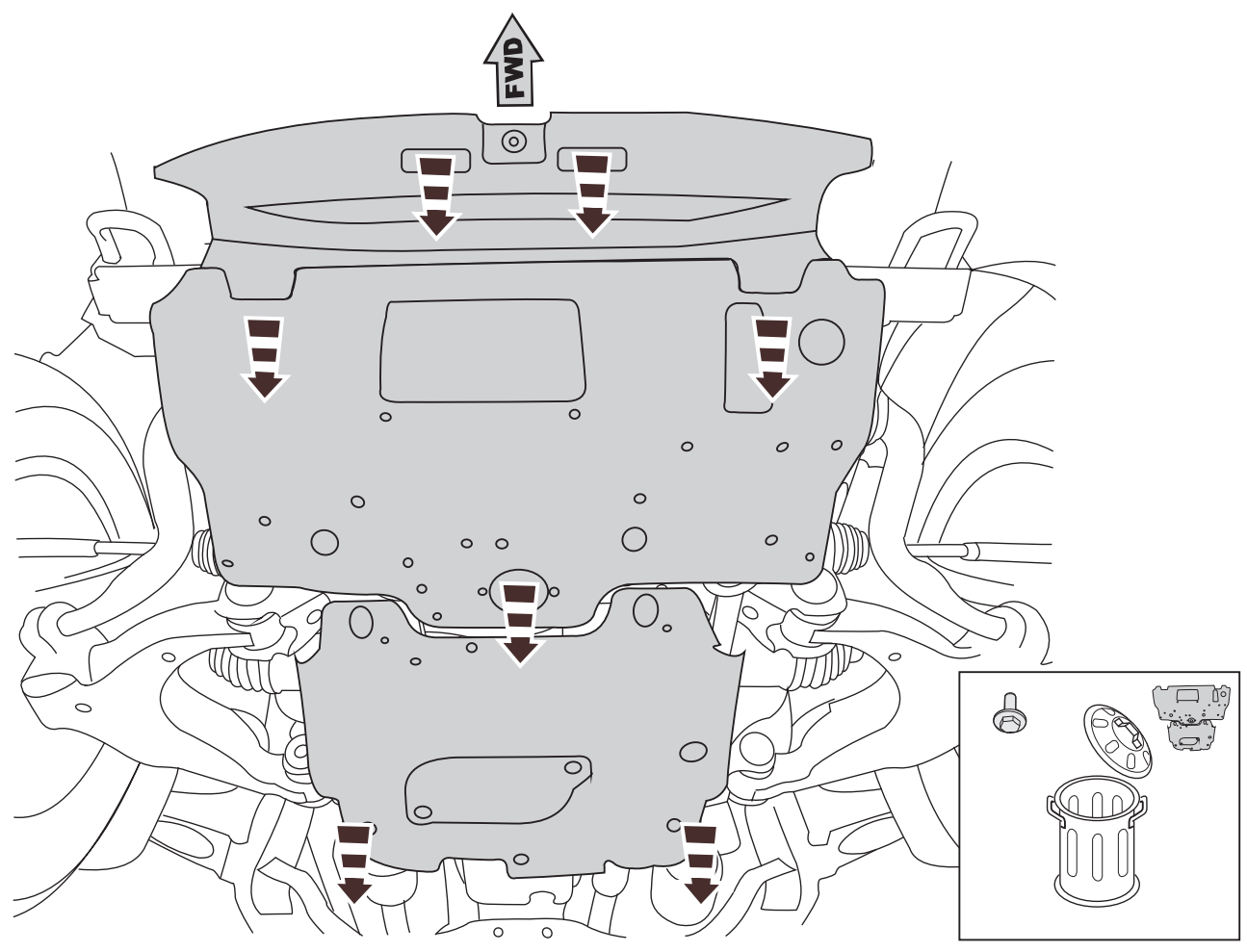
E



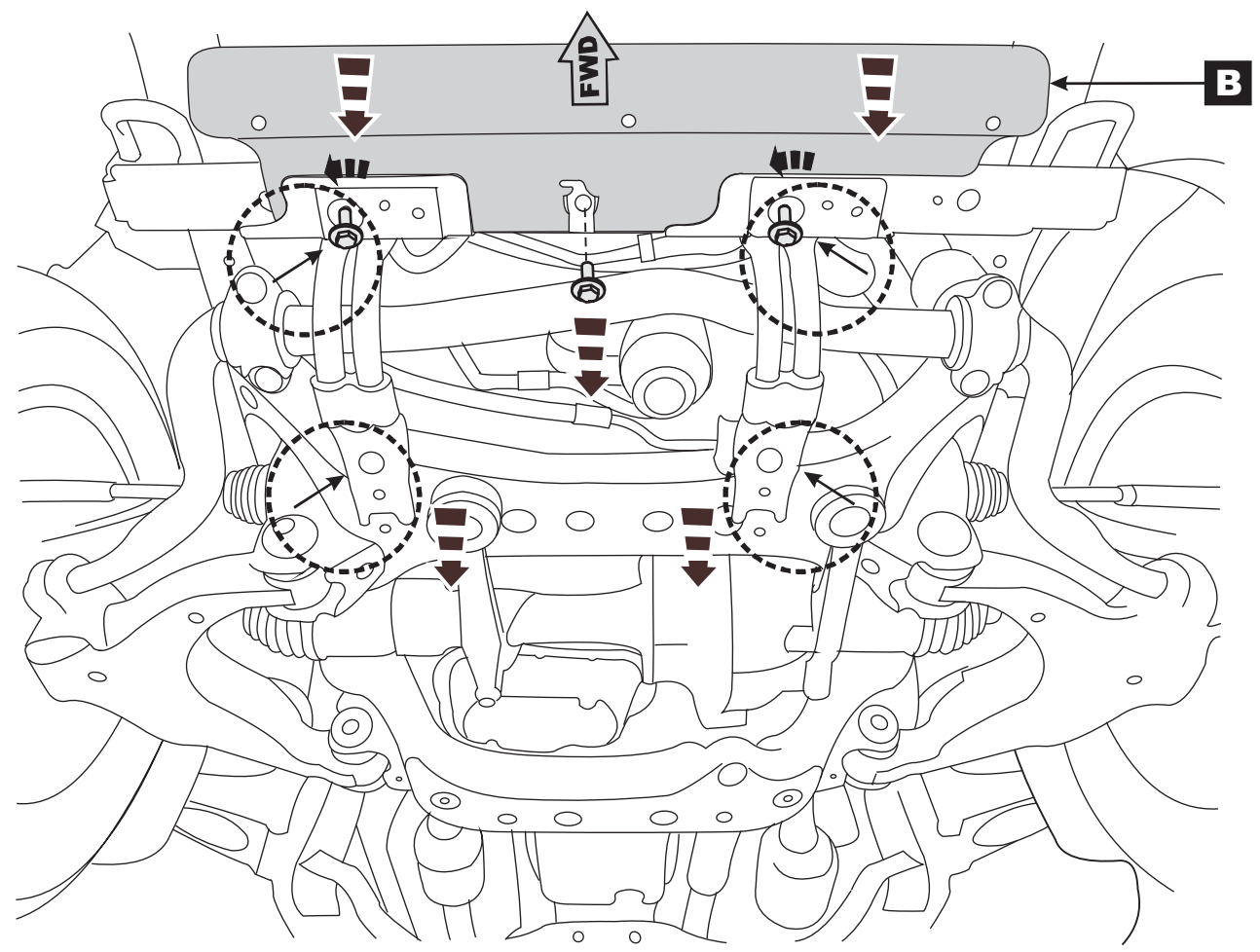
X 10 Ø10



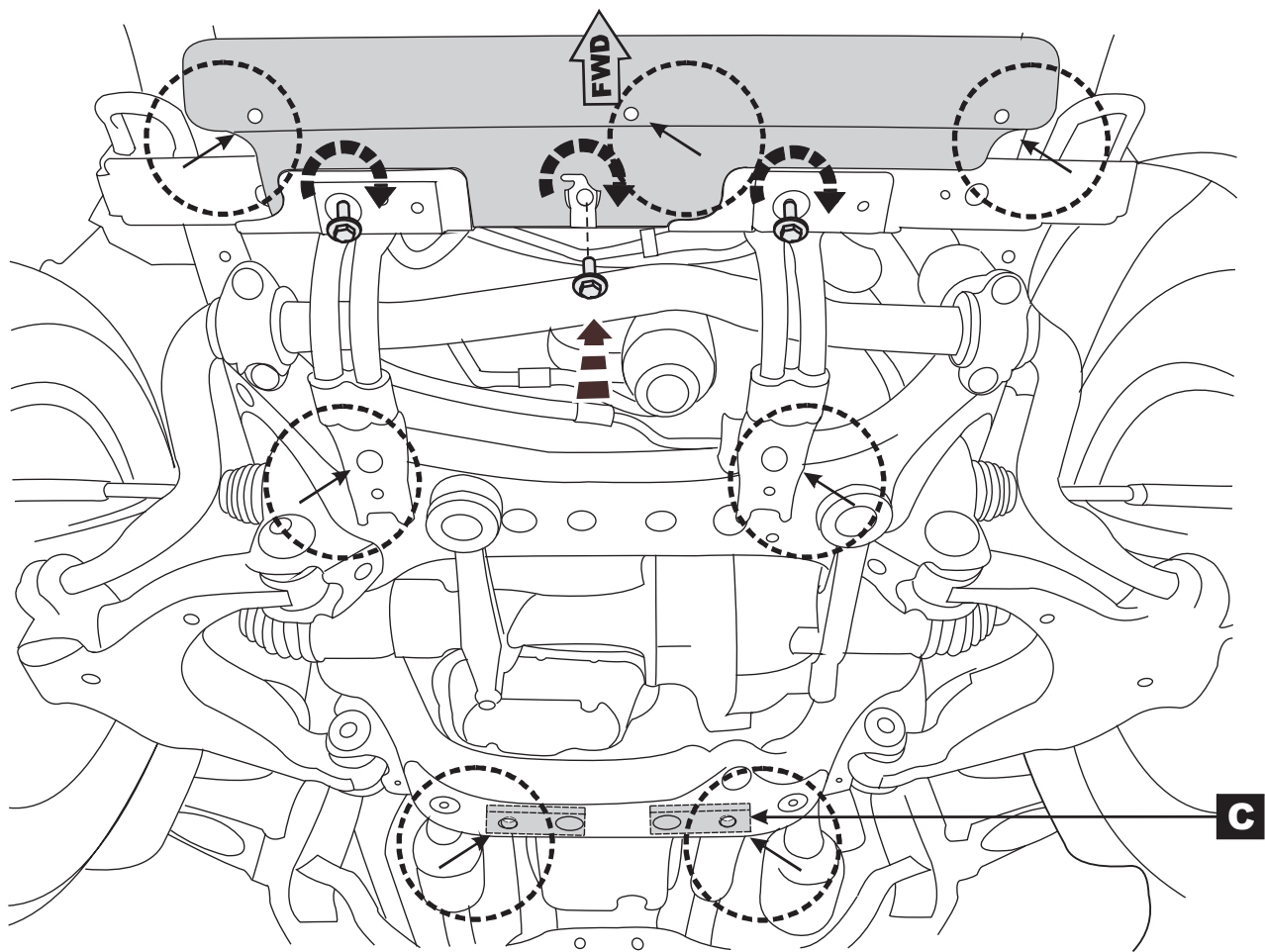
1



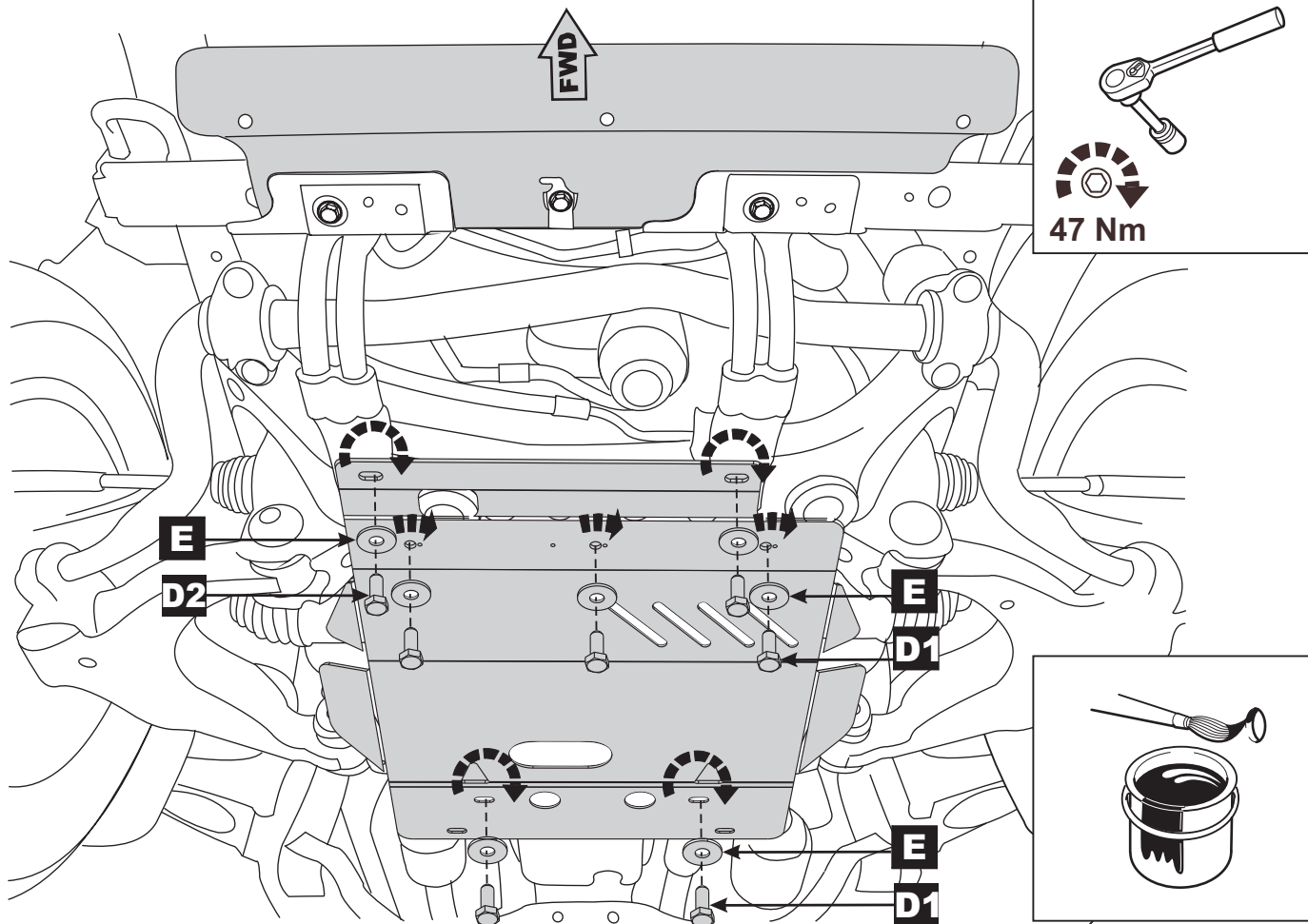
2



3

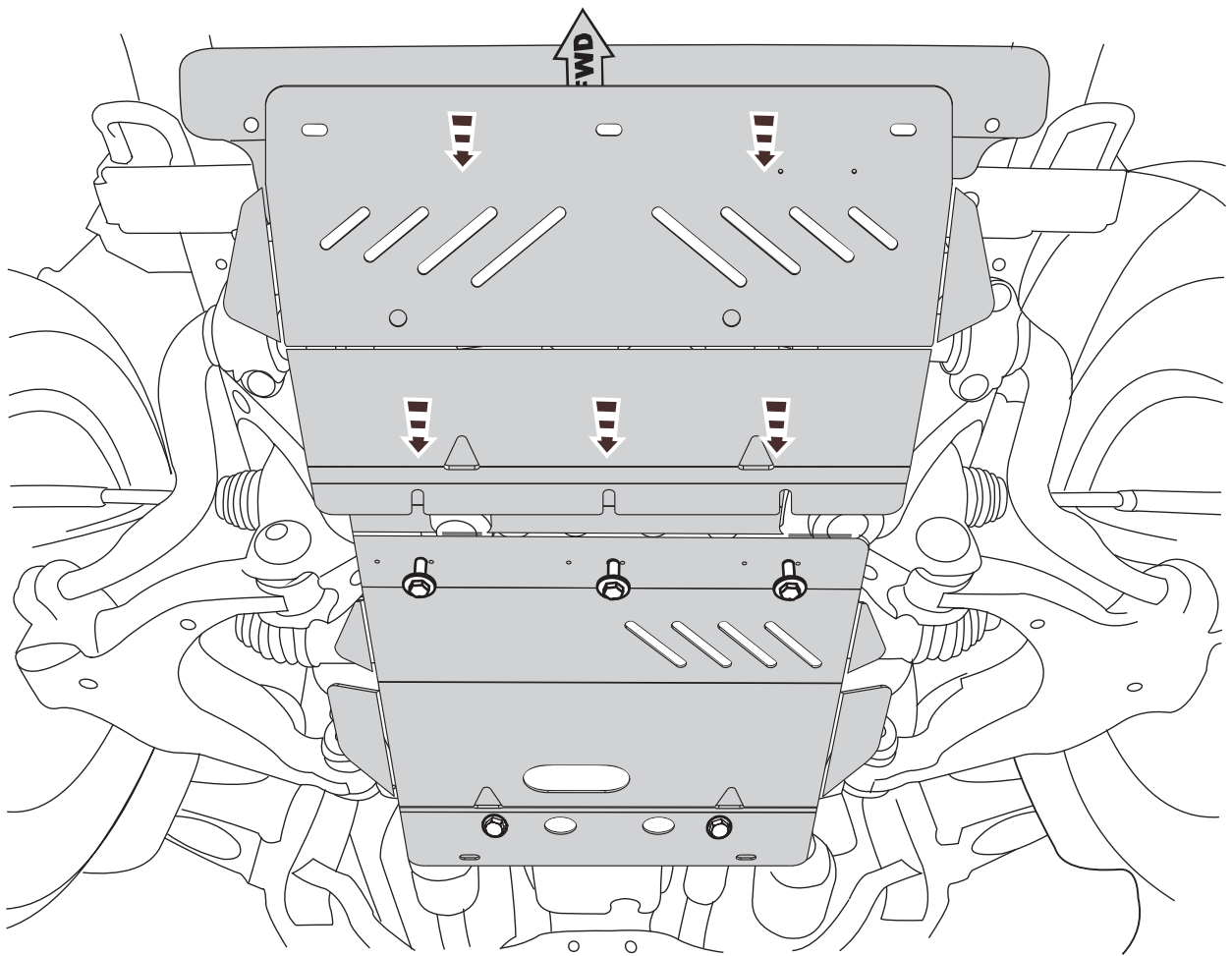


4



Part number: PZ4AL- 01698 - 00	Issue: 0	Date: 14/12/09	Manual reference number: AIM 001-929-0	Page: 4/5
-----------------------------------	-------------	-------------------	---	--------------

5



6

