

SHERIFF



Under Run AT Case and Transfer Box Protective Shield Installation Instructions

LEXUS GX 460



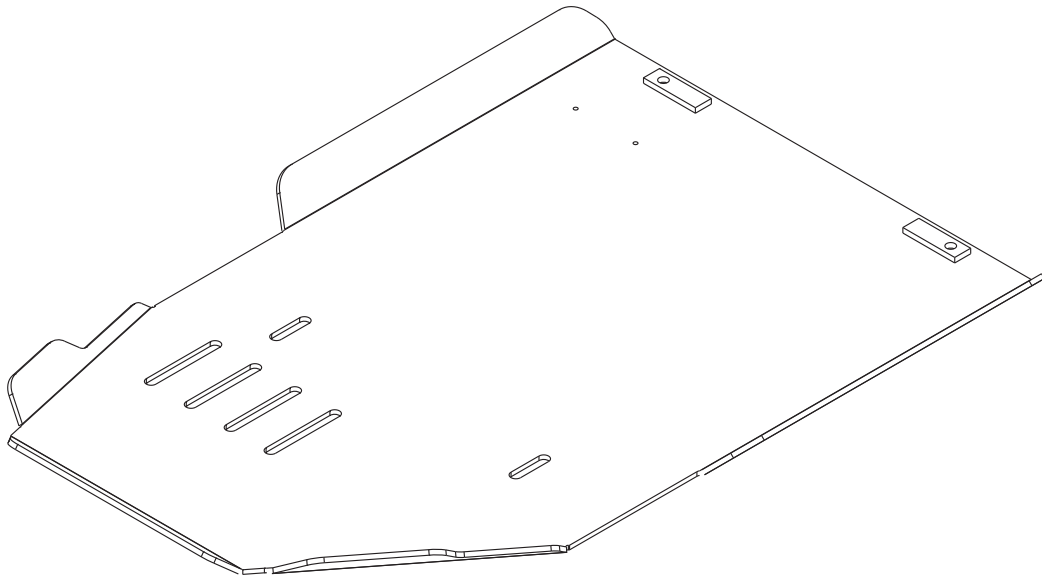
Toyota Land Cruiser 150



Model Year	GX460; 20	LC150 Diesel;	LC150 Petrol 007
Vehicle Code	URJ150L - GKTZKW; 00	KDJ15* L - G * * * YW; GRJ150L - G * * * KW	
Part Number			PZ4AL- 01696- 00
 Weight			7.45 Kg
 Installation Time			10min
Manual reference number			AIM 001 -930-0

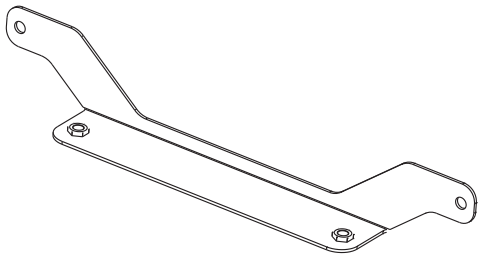
Part number: PZ4AL- 01696- 00

A



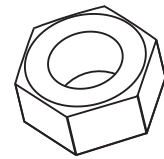
PZ4AL- 01696- 60

B



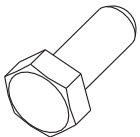
X1

C



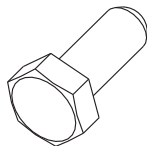
X 2 10

D1



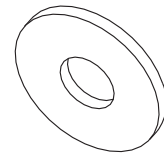
4 x M 10x 30

D2

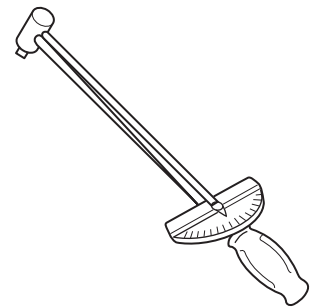
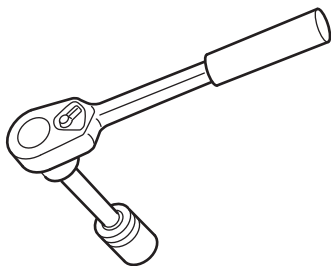


2 x M 10x110

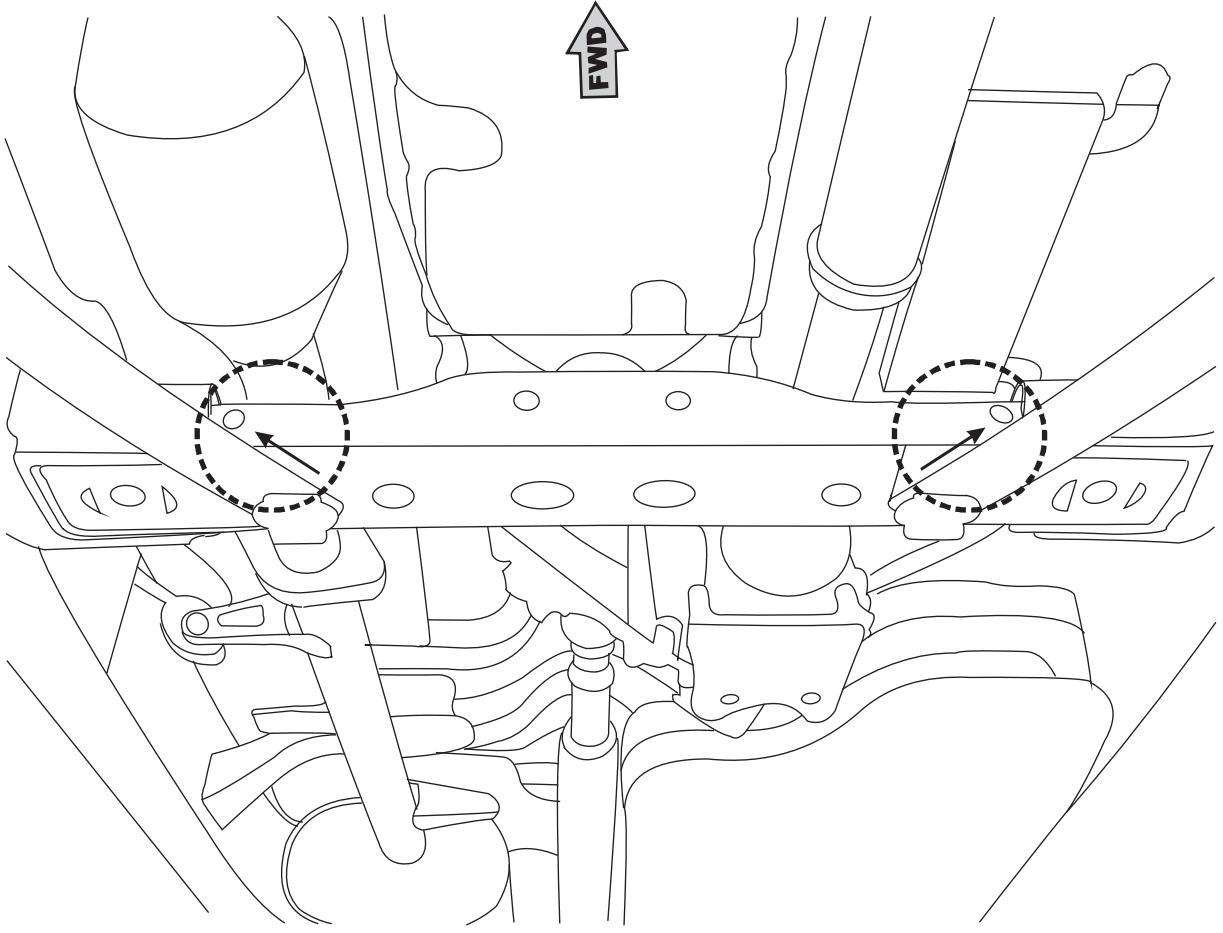
E



X 8 Ø10



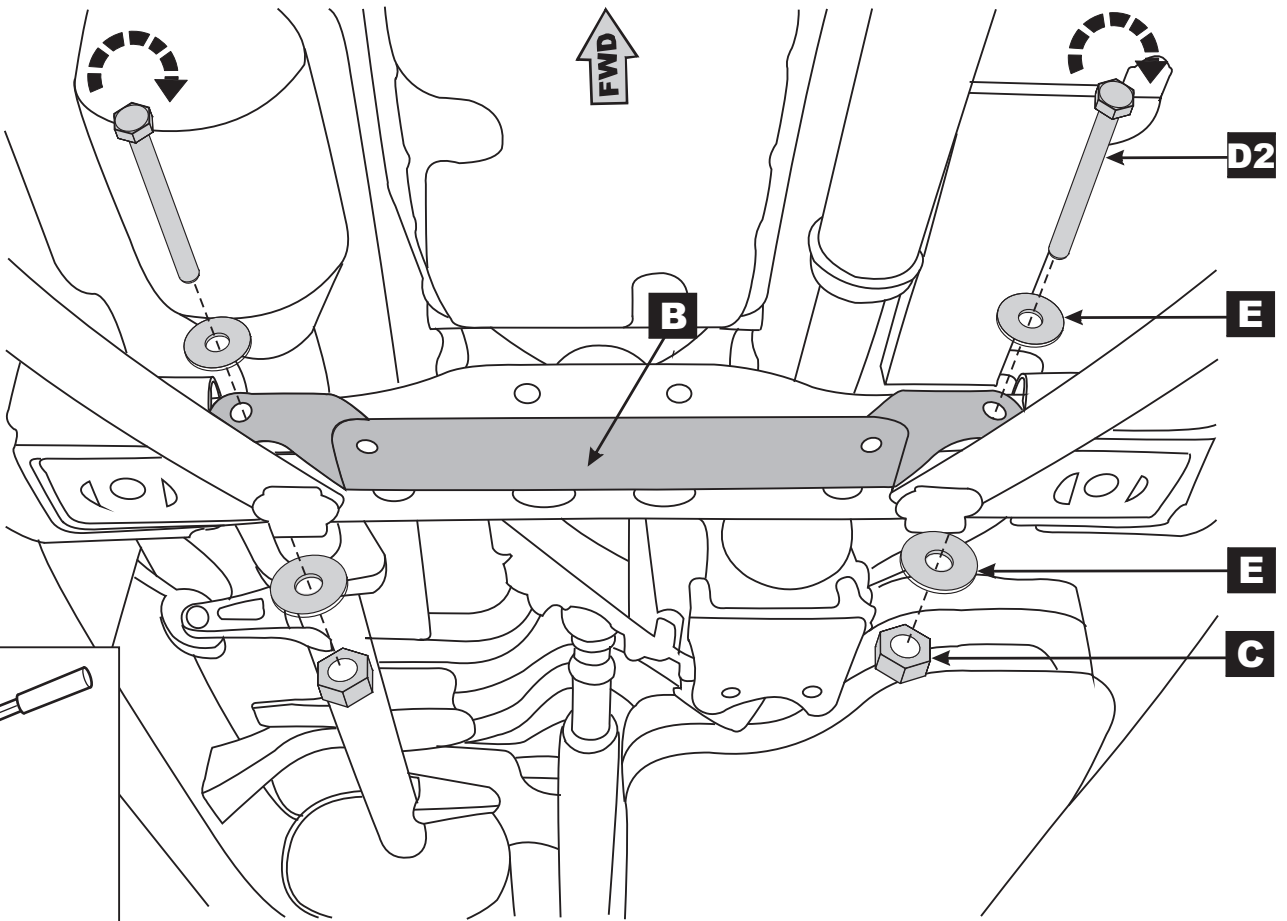
1



2A

LEXUS GX 460

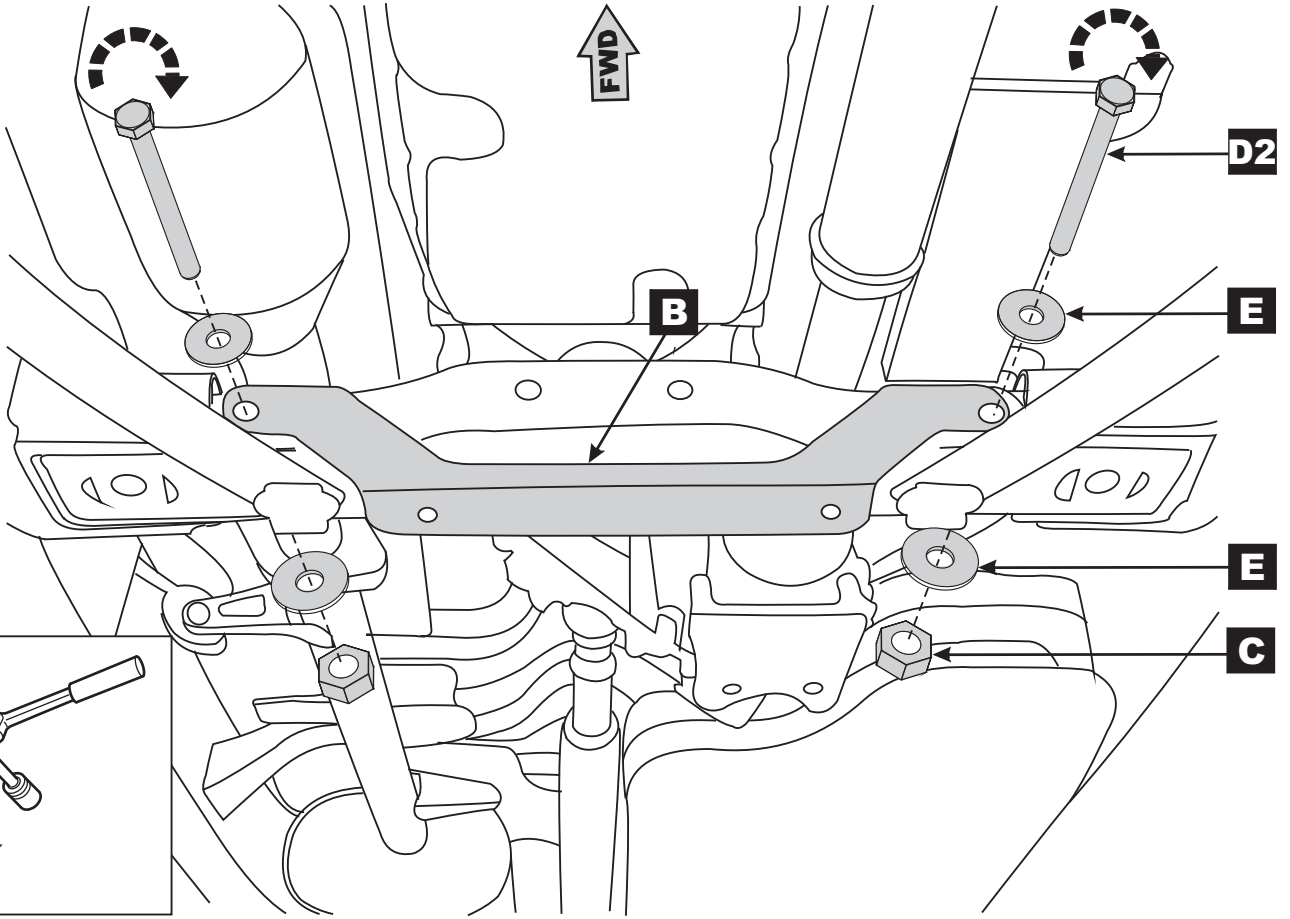
Toyota Land Cruiser 150 Diesel



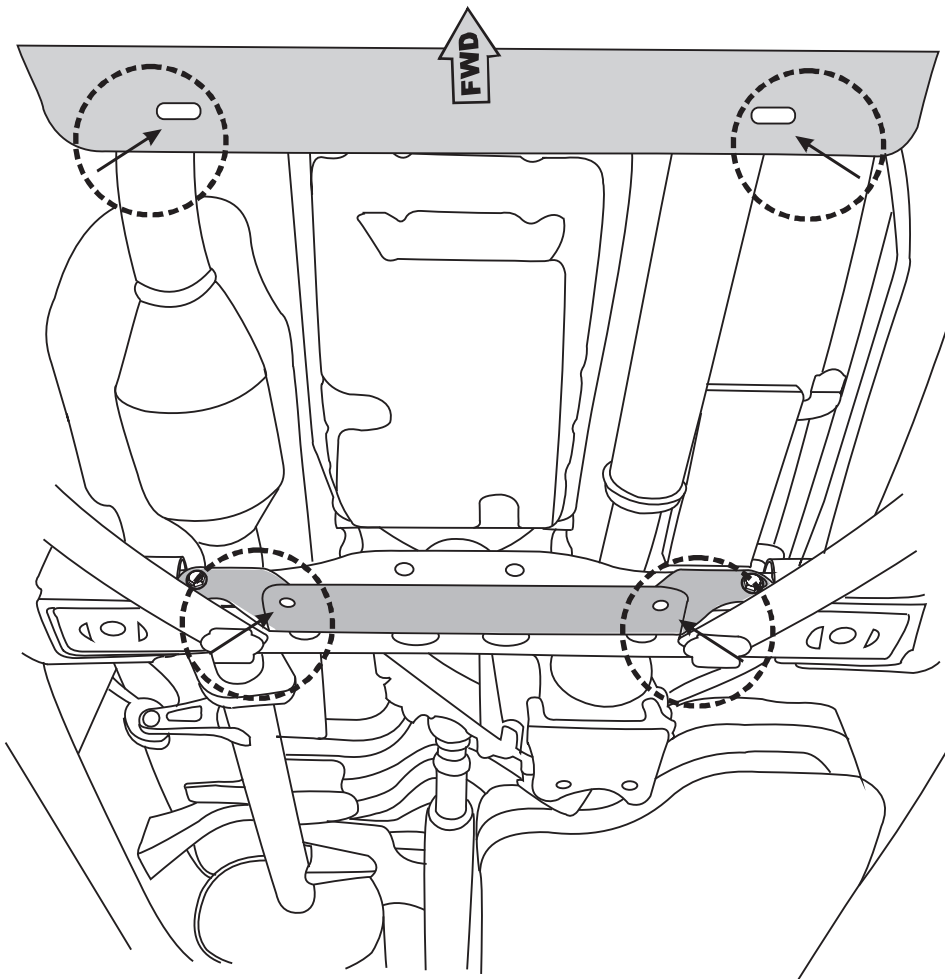
47 Nm

2B

Toyota Land Cruiser 150 Petrol



3



4

