

Last Modified: 1-12-2017	6.6 A	Doc ID: RM0000051NX003X
Model Year Start: 2013	Model: GS450H	Prod Date Range: [03/2012 -]
Title: LIGHTING (EXT): HEADLIGHT ASSEMBLY (for HID Headlight): DISASSEMBLY; 2013 MY GS450H [03/2012 -]		

DISASSEMBLY

HINT:

- Use the same procedure for the RH and LH sides.
- The procedure described below is for the LH side.

1. REMOVE FRONT TURN SIGNAL LIGHT SOCKET

- (a) Disconnect the connector.



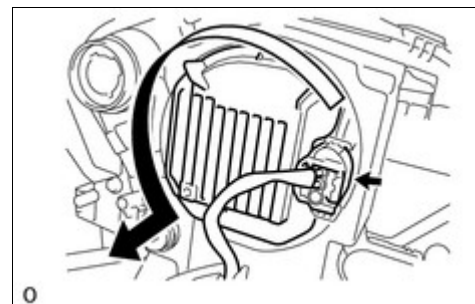
- (b) Turn the front turn signal light socket in the direction indicated by the arrow in the illustration and remove the front turn signal light socket.

2. REMOVE FRONT TURN SIGNAL LIGHT BULB

- (a) Remove the front turn signal light bulb from the front turn signal light socket.

3. REMOVE HEADLIGHT LIGHT CONTROL ECU SUB-ASSEMBLY LH

- (a) Disconnect the connector.



- (b) Turn the headlight light control ECU sub-assembly LH in the direction indicated by the arrow in the illustration and separate the headlight light control ECU sub-assembly LH from the headlight unit.

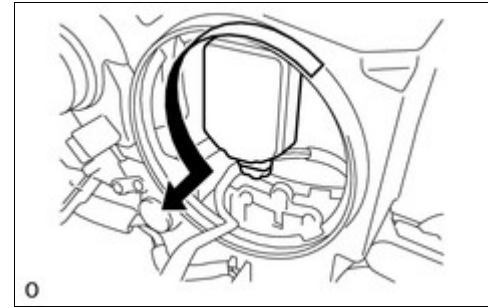
NOTICE:

- Do not apply excessive force using a tool.
- Do not damage the headlight gasket or allow it to become contaminated with foreign matter. If the headlight gasket is damaged or contaminated, water may get into the headlight assembly, resulting in a malfunction of the headlight light control ECU sub-assembly LH.

- (c) Turn the headlight light control ECU sub-assembly LH socket in the direction indicated by the arrow in the illustration and disconnect the headlight light control ECU sub-assembly LH socket to remove the headlight light control ECU sub-assembly LH.

NOTICE:

Do not pull the headlight light control ECU sub-assembly LH with the socket connected.



4. REMOVE HEADLIGHT GASKET

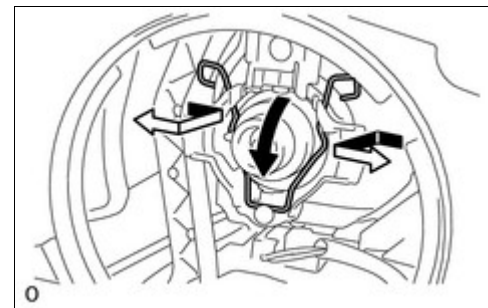
- (a) Remove the headlight gasket from the headlight light control ECU sub-assembly LH.

5. REMOVE DISCHARGE HEADLIGHT BULB

- (a) Release the set spring lock as shown in the illustration and remove the discharge headlight bulb.

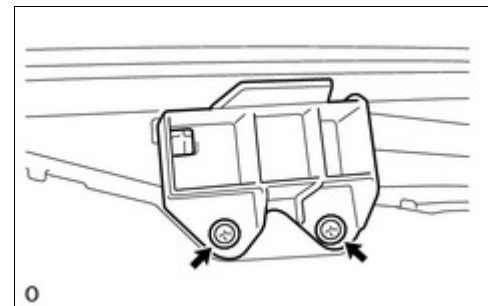
NOTICE:

Do not touch the discharge headlight bulb glass.



6. REMOVE FRONT BUMPER SIDE SUPPORT LH

- (a) Remove the 2 screws and front bumper side support LH from the headlight unit.



7. REMOVE NO. 2 FRONT BUMPER SIDE SUPPORT LH

- (a) Remove the 2 screws and No. 2 front bumper side support LH from the headlight unit.

