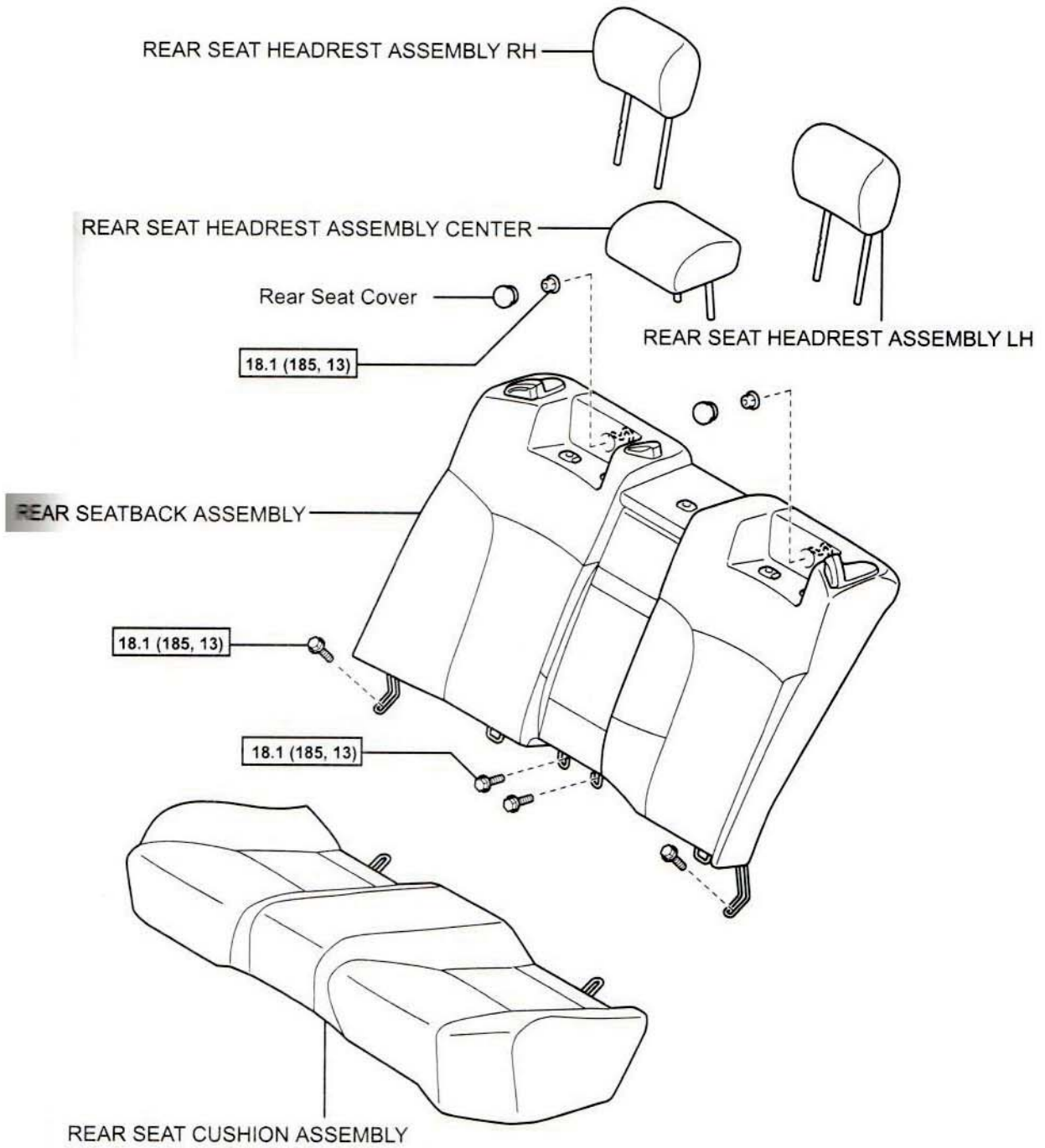
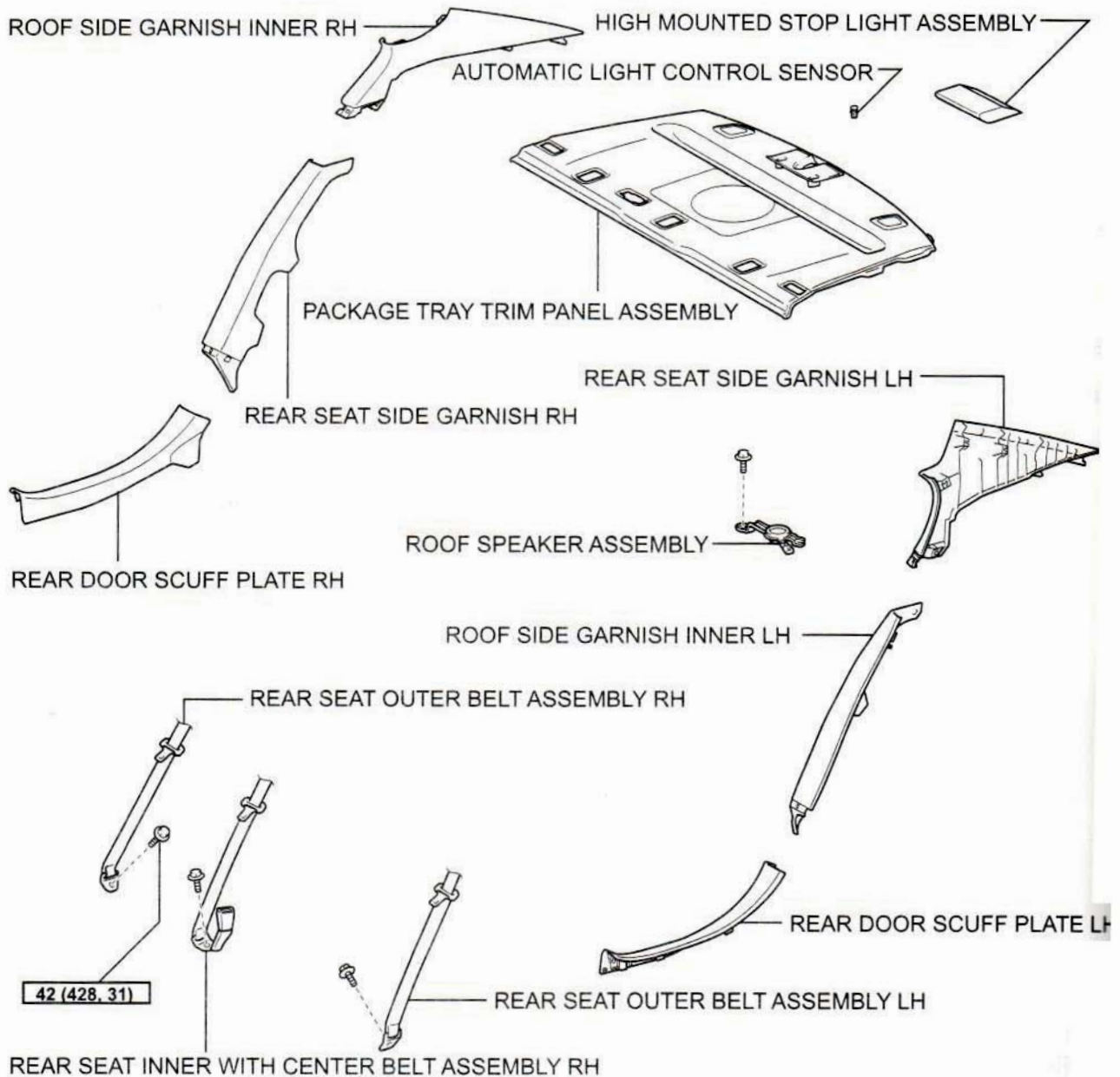
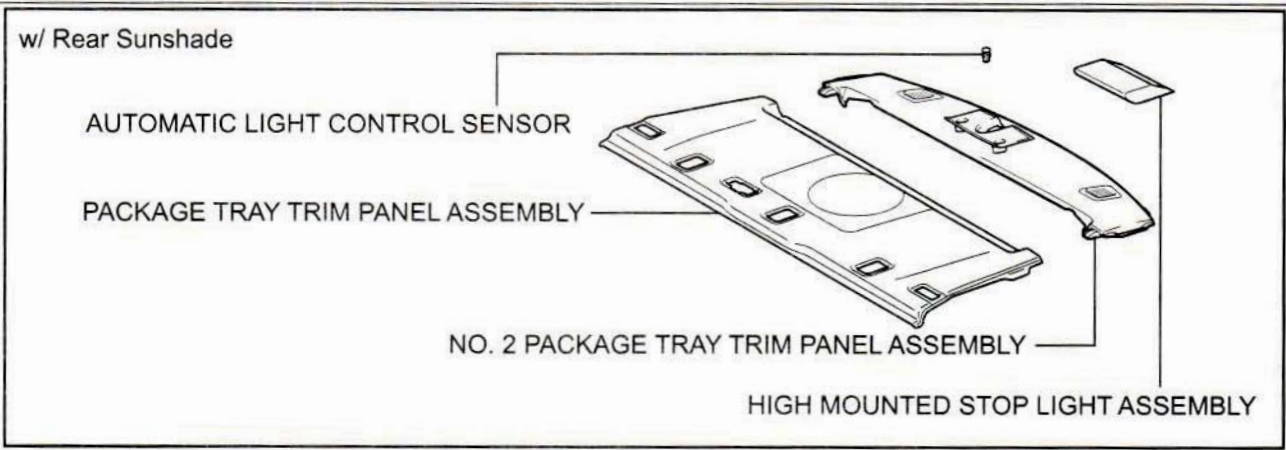


# ROOF SPEAKER COMPONENTS





42 (428, 31)

N\*m (kgf\*cm, ft.\*lbf) : Specified torque

## REMOVAL

### HINT:

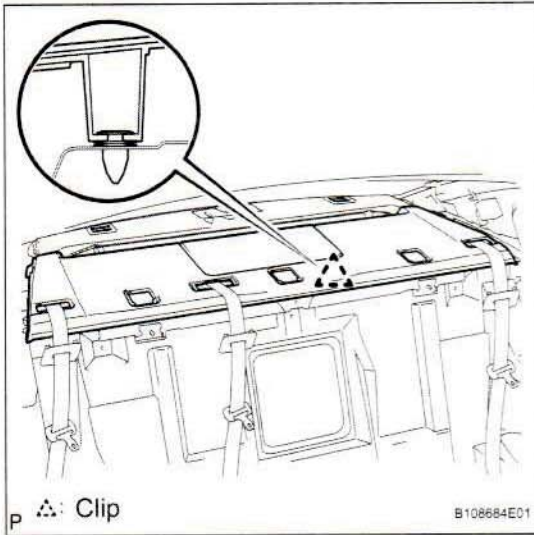
- Use the same procedures for the LH side and RH side.
- The procedures listed below are for the LH side.

### 1. DISCONNECT CABLE FROM NEGATIVE BATTERY TERMINAL

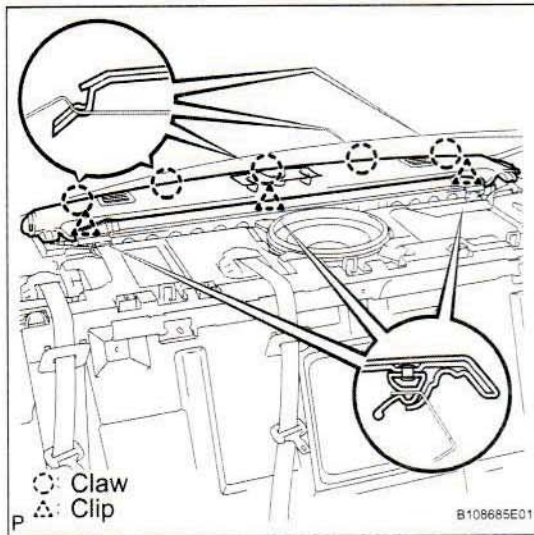
#### CAUTION:

Wait at least 90 seconds after disconnecting the cable from the negative (-) battery terminal to prevent airbag and seat belt pretensioner activation.

2. REMOVE REAR SEAT CUSHION ASSEMBLY (See page SE-103)
3. REMOVE REAR SEAT HEADREST ASSEMBLY LH AND RH
4. REMOVE REAR SEAT HEADREST ASSEMBLY CENTER
5. REMOVE REAR SEATBACK ASSEMBLY (See page SE-103)
6. REMOVE REAR SEAT OUTER BELT ASSEMBLY (See page SB-54)
7. REMOVE REAR SEAT INNER WITH CENTER BELT ASSEMBLY RH (See page SB-54)
8. REMOVE REAR DOOR SCUFF PLATE LH (See page IR-33)
9. REMOVE REAR DOOR SCUFF PLATE RH (See page IR-33)
10. REMOVE REAR SEAT SIDE GARNISH LH (See page IR-34)
11. REMOVE REAR SEAT SIDE GARNISH RH (See page IR-34)
12. REMOVE ROOF SIDE GARNISH INNER LH (See page IR-34)
13. REMOVE ROOF SIDE GARNISH INNER RH (See page IR-34)
14. REMOVE HIGH MOUNTED STOP LIGHT ASSEMBLY (See page IR-18)
15. REMOVE AUTOMATIC LIGHT CONTROL SENSOR (See page IR-18)
16. REMOVE PACKAGE TRAY TRIM PANEL ASSEMBLY (See page IR-19)
17. REMOVE NO. 2 PACKAGE TRAY TRIM PANEL ASSEMBLY (w/ Rear Sunshade) (See page IR-20)



(f) Detach the clip and remove the panel.



**16. REMOVE NO.2 PACKAGE TRAY TRIM PANEL ASSEMBLY**

- (a) Detach the 5 claws and 3 clips.
- (b) Disconnect the connector and remove the panel.

IR