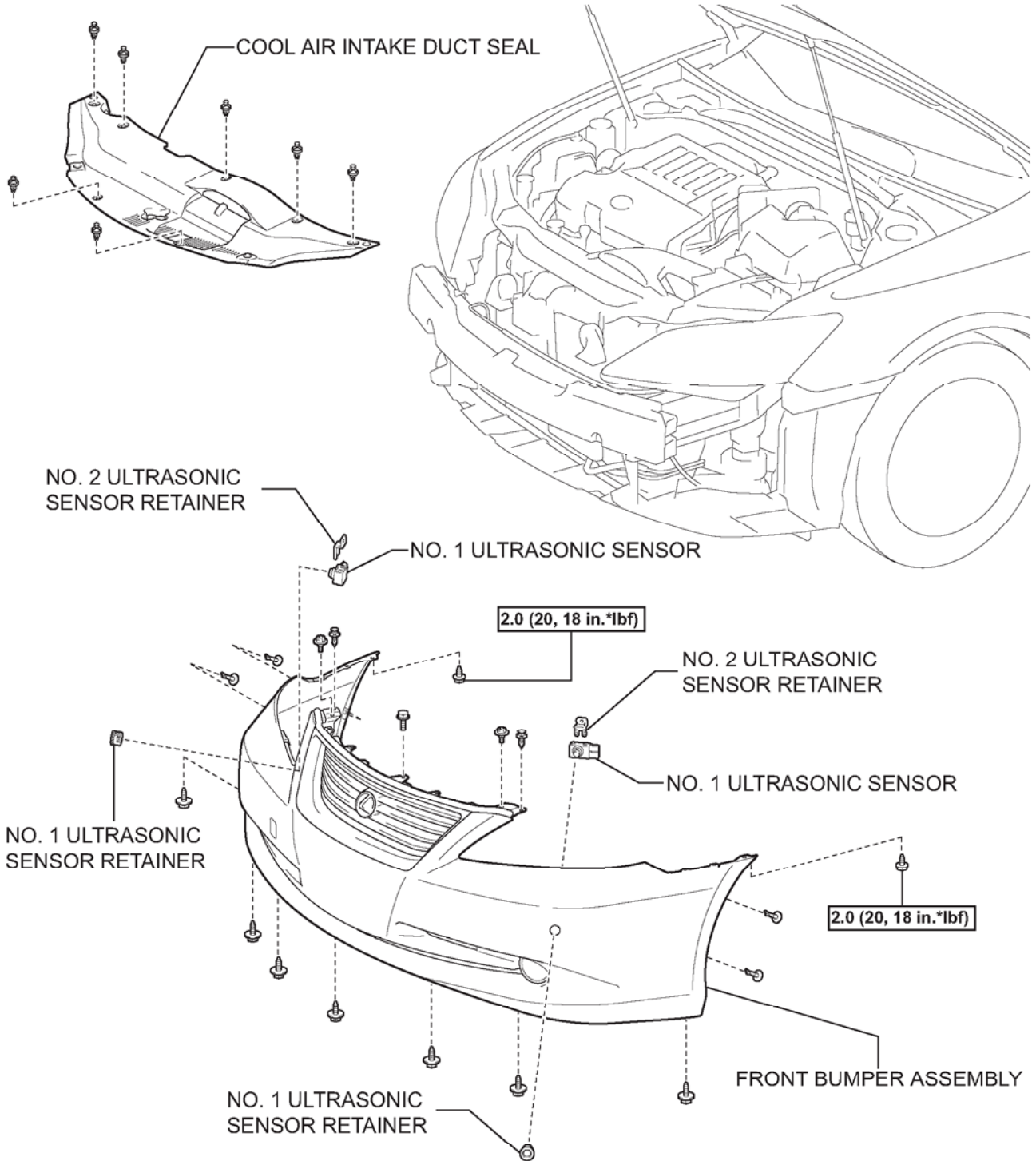


ULTRASONIC SENSOR COMPONENTS

for Front Side:



N*m (kgf*cm, ft.*lbf): Specified torque

PM