



Via Overnight Mail
July 31, 2006

Subject: Special Service Campaign (SSC) 6LE
Certain 2006 GS 300 2WD, GS 300 AWD and GS 430 Vehicles
Electric Power Steering (EPS) Replacement

Dear Dealer Principal:

Lexus has initiated a Special Service Campaign (SSC) on certain 2006 GS 300 2WD, GS 300 AWD and GS 430 vehicles. Campaign details and the degree of your dealer's involvement are explained below.

Condition

On certain 2006 model year Lexus GS 300 (both 2WD and AWD) and GS 430 vehicles, customers may experience a noticeable gradual increase in the steering effort necessary at low speeds when turning the steering wheel in the complete left or right position. This condition may be most perceptible when parking the vehicle.

For further information refer to the attached Lexus Q&A and customer notification letter.

Owner Notification Date

Owner notification letters will be mailed in phases via First Class Mail beginning in early August 2006.

Identification of Involved Vehicles

Model Year	VDS	VIN Ranges
2006	BH96S	5002385 - 5005184
	BN96S	5001092 - 5002302
	CH96S	0001906 - 0003062

Note: Not all vehicles in the VIN range are affected. As always, dealers should consult Dealer Daily or TIS to confirm VIN eligibility and to assure that the SSC is applicable. This will verify the vehicle is involved and has not already been completed prior to dealer shipment or by another dealer. TMS warranty will not reimburse dealers for repairs conducted on vehicles that are not affected or were completed by another dealer.

Implementation at Dealerships

The SSC package contains the repair instructions, warranty claim procedures, and parts order information. All associates who have a part in the completion of this campaign should be familiar with its contents.

Replacement Parts

Please encourage your parts department to order only those parts needed to repair vehicles with service appointments. Individual dealer tracking will be done and irregularities in quantity ordering will be passed on to Lexus Area Offices for follow-up and correction. There will be sufficient inventory to accommodate this SSC.

Model	Part Number	Part Description	Qty/Vehicle
GS 300 2WD & GS 430	04006-15530	Electric Power Steering (EPS) Assembly	1
GS 300 2WD & GS 430	04006-16130	Package of 2 Clips	1
GS 300 AWD	04006-15630	Electric Power Steering (EPS) Assembly	1
GS 300 AWD	04006-19130	Package of 2 Clips	1

Tools and Equipment

This procedure requires the use of standard hand tools, a torque wrench, diagnostic tester (scan tool) and a ball joint puller (SST 09628-0001).

Customer Care

Lexus' usual customer care amenities (car wash, fuel fill-up and loaner vehicles) apply to this SSC. Specific details may be found in TIS in the General Procedures for Limited and Special Service Campaigns.

Reimbursement Procedures

Dealers are required to submit SSC claims using the information below.

Claim Type	Repair	Model	Opcode	Labor Hours*	Sublet
SC	Replace power steering link assembly	GS 300 2WD	6626EA	2.9	GA (fuel), TW (tow), RT (loaner vehicle), DE (pick-up/delivery or remote repair), or CW (car wash) as required and substantiated by invoices.
		GS 430	6626EB	3.1	
		GS 300 AWD	6626EC	4.3	

*Includes 0.1 labor hours for administrative time.

NOTE: Lexus warranty will only accept one claim per vehicle under the terms of the SSC. Please ensure that your dealership checks the National History File or TIS to see if the vehicle has been repaired under this SSC prior to servicing a vehicle.

Dealer System Communications

- The VIN number information download will be performed on July 31, 2006 and the dealer system flag on affected vehicles will be activated at that time.

- The operation code will be downloaded and available for dealerships to use on July 31, 2006. DMS dealer files are automatically updated and no further action should be required.

Thank you for your understanding. Your on-going care for these Lexus owners during this campaign protects our customers and their image of Lexus.

Sincerely,

Chuck Yaeger
National Customer Services Field Operations Manager

Attachments

CC: Customer Satisfaction Manager
General Manager
Parts Manager
Sales Manager
Service Manager



Special Service Campaign (SSC) 6LE
Certain 2006 GS 300 2WD, GS 300 AWD, and GS 430 Vehicles
Electric Power Steering (EPS) Replacement Q&A

Q1: What is the condition?

A1: On certain 2006 model year Lexus GS 300 (both 2WD and AWD) and GS 430 vehicles, customers may experience a noticeable, gradual increase in the steering effort necessary at low speeds when turning the steering wheel to the complete left or right position. This condition may be most perceptible when parking the vehicle.

Q2: What is the cause of this condition?

A2: This condition is caused by an insufficient adhesion between the permanent magnets and the rotor of the Electric Power Steering (EPS), causing the motor to gradually lose torque when the wheel is turned to the complete left or right position.

Q3: Are there any warnings that this condition exists?

A3: Yes, the steering effort will gradually increase and an abnormal noise may be heard if the wheel is turned to the complete left or right position.

Q4: Which and how many vehicles are involved?

A4: There are approximately 3,200 2006 model year vehicles involved in the U.S.

- GS 300 (2WD) 1,500 vehicles
- GS 300 (AWD) 1,000 vehicles
- GS 430 700 vehicles

Q5: What is the production period of the affected vehicles?

A5: The affected Lexus GS vehicles were produced from February, 2005 to March, 2005.

Q6: Are there any other Toyota or Lexus vehicles involved?

A6: No, this condition only affects certain 2006 GS vehicles.

Q7: How many incidents of this condition have been reported?

A7: There have been no cases of this condition reported in the U.S. market.

Q8: Have there been any accidents reported?

A8: There have been no accidents reported which are possibly related to this condition in the U.S. market.

Q9: Have there been any reports of deaths or injuries?

A9: There have been no deaths or injuries reported related to this condition in the U.S. market.

Q10: What is Lexus going to do?

A10: Owners of the involved vehicles will receive a Special Service Campaign notification by first class mail beginning in early August 2006. Lexus dealers will replace the Electric Power Steering (EPS) Assembly with an improved one at **NO CHARGE** to the customer.

Q11: How long will the repair take?

A11: Depending on the model, the repair may take up to approximately five hours. However, depending upon the dealer's work schedule, it may be necessary to make the vehicle available for a longer period of time.

Q12: What should an owner do if they experience the condition?

A12: Owners are requested to contact their local Lexus dealer for diagnosis and repair.

**Special Service Campaign 6LE
Certain 2006 GS 300 and GS 430 Vehicles
Electric Power Steering (EPS) Replacement**

Dear Lexus Owner:

Lexus is dedicated to the "Passionate Pursuit of Perfection."

Thank you very much for your patronage of Lexus. We are dedicated to providing vehicles of outstanding quality and value. As part of our continuing efforts to provide superior customer satisfaction, Lexus is announcing a Special Service Campaign Program on certain 2006 model year GS 300 and GS 430 vehicles.

What is the condition?

On certain 2006 Model Year Lexus GS 300 and GS 430 vehicles, you may experience a noticeable gradual increase in the steering effort necessary at low speeds when turning the steering wheel to the complete left or right position. This condition may be most perceptible when parking your vehicle.

What is the cause of the condition?

This condition is caused by an insufficient adhesion between the permanent magnets and the rotor of the Electric Power Steering (EPS), causing the motor to gradually lose torque when the wheel is turned to the complete left or right position.

What will Lexus do?

Any Lexus dealer will replace the Electric Power Steering (EPS) at **NO CHARGE** to you.

What should you do?

Please contact your authorized Lexus dealer to schedule an appointment to replace the Electric Power Steering (EPS) with an improved one. Based upon your specific vehicle model, the repair may take up to approximately five hours. However, depending upon the dealer's work schedule, it may be necessary to make your vehicle available for a longer period of time.

Please present this notice to the dealer when you bring the vehicle in for your service appointment.

If you no longer own the vehicle, please indicate so on the enclosed postage-paid form, providing us with the name and address of the new owner if possible.

What if you have other questions?

Please contact any Lexus dealer or call the Lexus Customer Assistance Center at 1-800-255-3987 Monday through Friday, 5:00 am to 9:30 pm, Saturday and Sunday 7:00 am through 3:00 pm Pacific Standard Time.

We have sent this notice in the interest of your continued satisfaction with our products, and we sincerely regret any inconveniences this condition may have caused you.

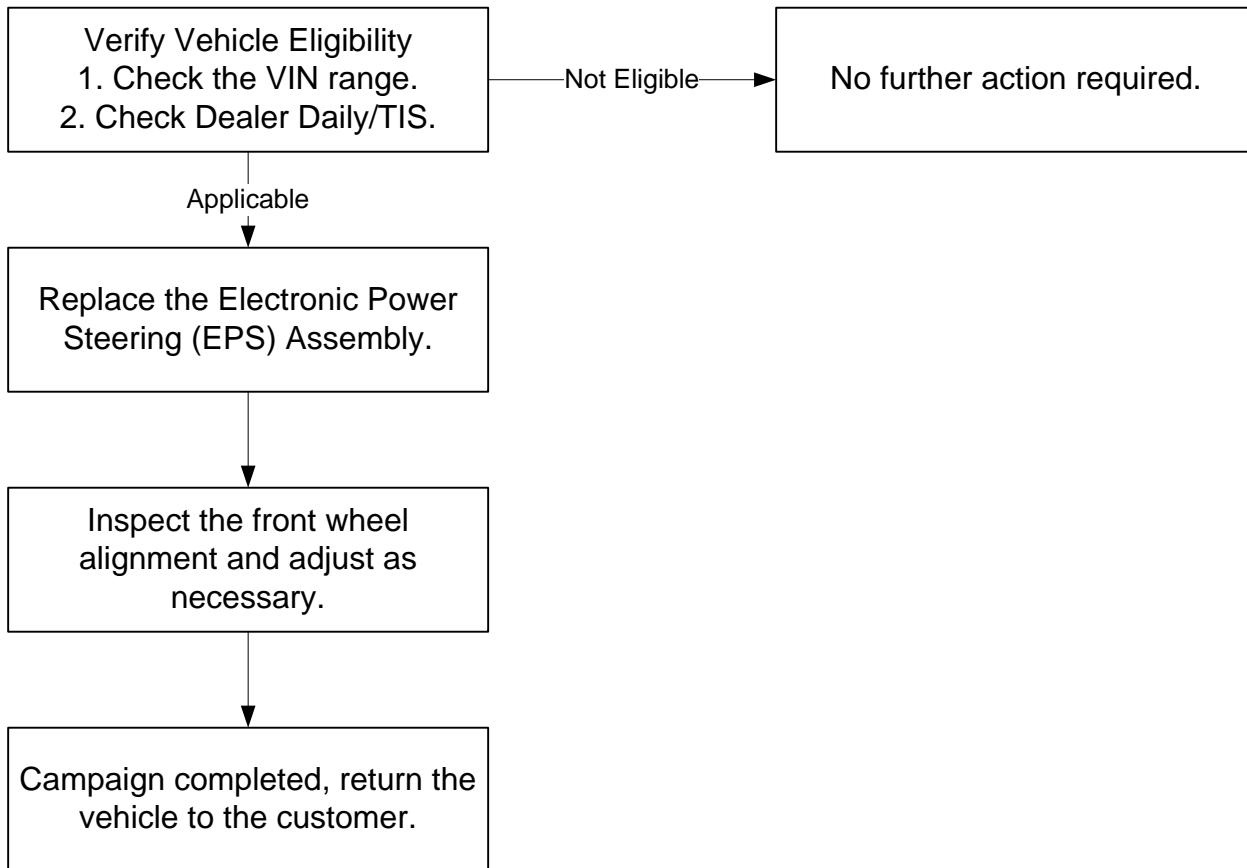
Thank you for driving a Lexus.

Sincerely,

LEXUS DIVISION
TOYOTA MOTOR SALES, U.S.A., INC.

TECHNICAL INSTRUCTIONS
FOR
SPECIAL SERVICE CAMPAIGN 6LE
2006 GS ELECTRIC POWER STEERING (EPS) REPLACEMENT

I. OPERATION FLOW CHART



II. IDENTIFICATION OF AFFECTED VEHICLES

A. AFFECTED VIN RANGE

Model	WMI	Model Year	VIN Range	
			VDS	Ranges
GS 300	JTH	2006	BH96S	5002385 – 5005184
GS 430			BN96S	5001092 – 5002302
GS 300 AWD			CH96S	0001906 – 0003062

III. PREPARATION

A. PARTS

Model	Part Number	Part Description	Qty.
GS 300 2WD or GS 430	04006-15530	Electric Power Steering (EPS) Assembly	1
GS 300 2WD or GS 430	04006-16130	Package of 2 Clips	1

Model	Part Number	Part Description	Qty.
GS 300 AWD	04006-15630	Electric Power Steering (EPS) Assembly	1
GS 300 AWD	04006-19130	Package of 2 Clips	1

B. TOOLS

- Standard hand tools
- Torque Wrench
- Diagnostic Tester (Scan Tool)
- SST 09628-00011 (Ball Joint Puller)

C. EQUIPMENT

- Transmission Jack *
- Under-Hoist Stand *

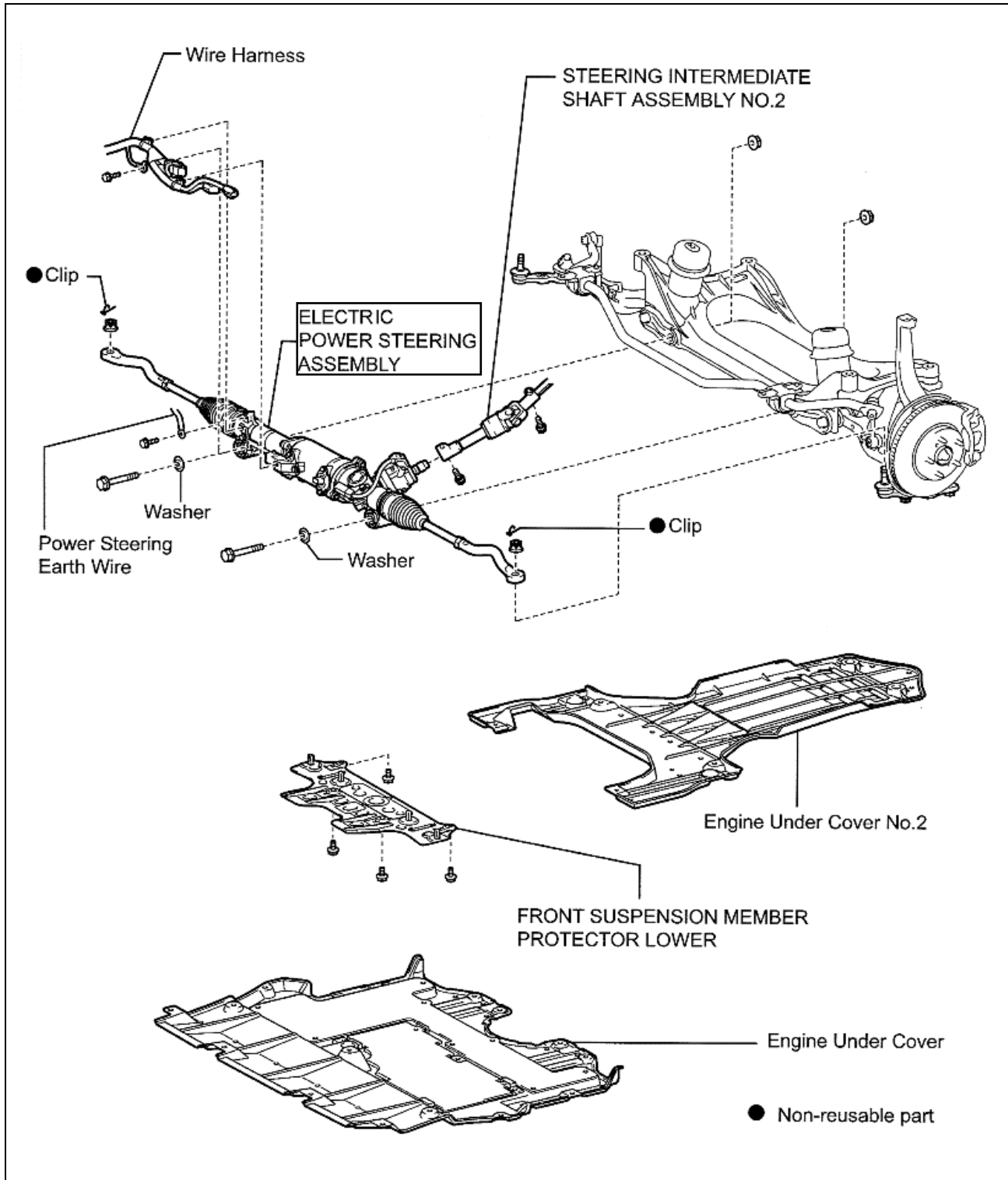
D. MATERIALS

- a. Wooden Block (x2)*

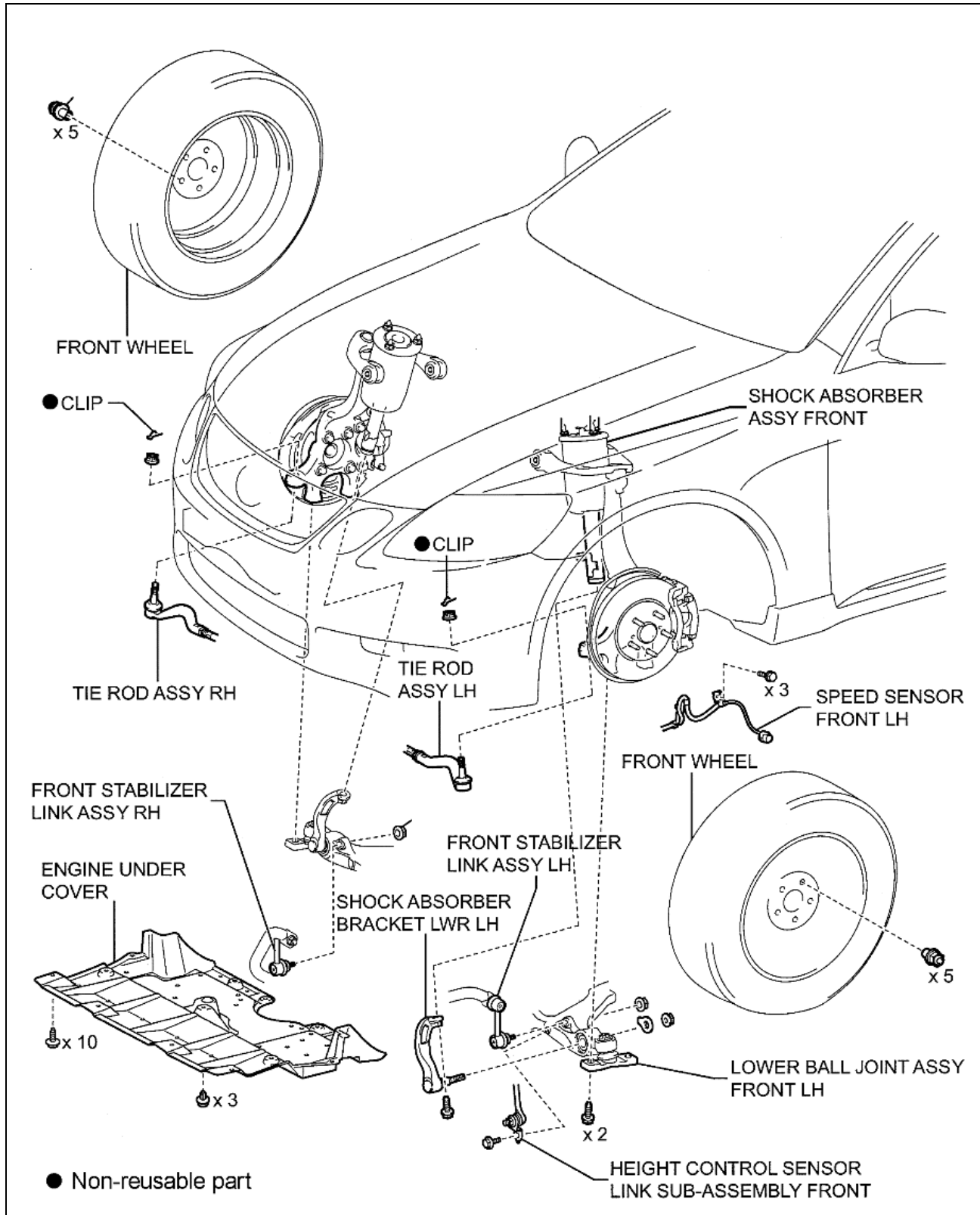
* For Electric Power Steering (EPS) replacement on AWD vehicles only.

IV. COMPONENTS

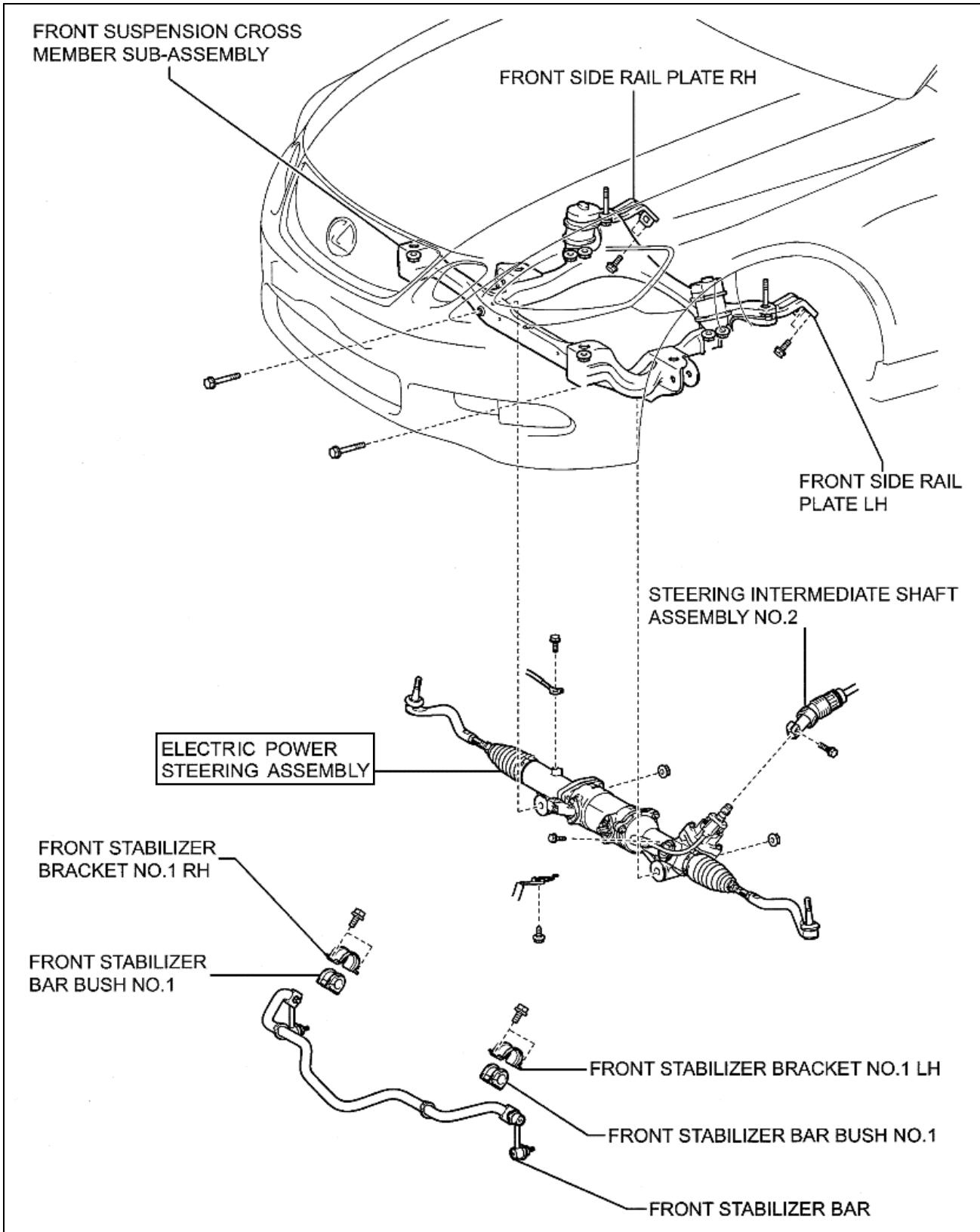
a. GS 300 2WD and GS 430



b. GS 300 AWD



c. GS 300 AWD Continued



V. BACKGROUND

On certain 2006 Model Year Lexus GS 300 (both 2WD and AWD) and GS 430 vehicles, customers may experience a noticeable gradual increase in the steering effort necessary at low speeds when turning the steering wheel to the complete left or right position. This condition may be most perceptible when parking the vehicle.

VI. SERVICE PRECAUTIONS



A. ROTATION ANGLE SENSOR, TORQUE SENSOR ZERO POINT, AND VARIABLE GEAR RATIO STEERING (VGRS) SYSTEM CALIBRATIONS

After Electric Power Steering Assembly replacement and front wheel alignment, the following procedures must be performed...

- Clearing of the rotation angle sensor calibration value
- Initialization of the rotation angle sensor
- Calibration of the torque sensor zero point
- Calibration of the VGRS actuator angle (GS 430 Vehicles Only)
- Neutral calibration of the VGRS actuator angle (GS 430 Vehicles Only)

B. CLEARANCE SONAR, POWER WINDOW CONTROL, SLIDING ROOF AND VARIABLE GEAR RATIO STEERING (VGRS) SYSTEM INITIALIZATION

When disconnecting then reconnecting the battery, the following systems must be initialized...

- Clearance Sonar System
- Power Window Control System
- Sliding Roof System
- VGRS System (GS 430 Vehicles Only)

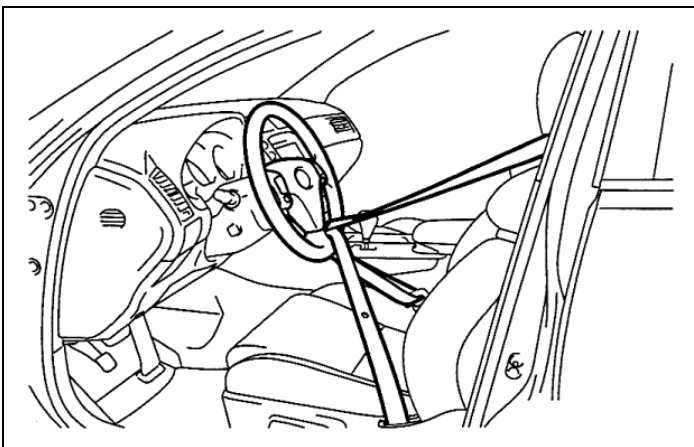


- For GS 300 2WD & GS 430 vehicles, please reference the “VII. WORK PROCEDURE FOR GS 300 2WD & GS 430 VEHICLES” listed below on this page.
- For GS 300 AWD vehicles, please reference the “VIII. WORK PROCEDURE FOR GS 300 AWD VEHICLES” on page 16.

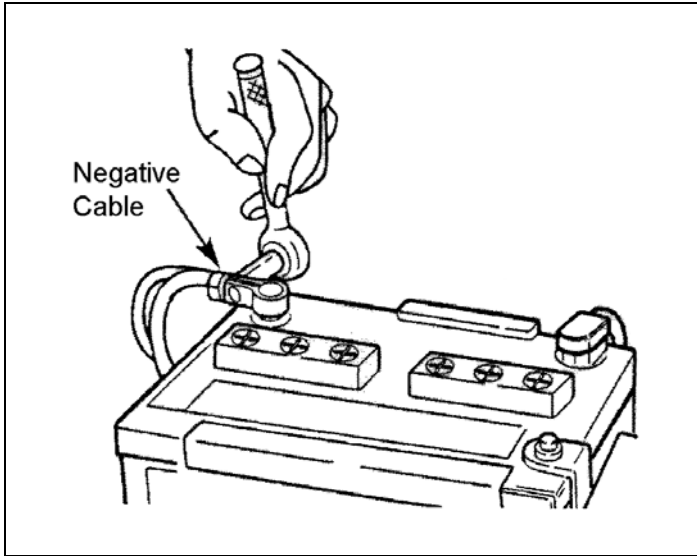
VII. WORK PROCEDURE FOR GS 300 2WD & GS 430 VEHICLES

A. REMOVE THE ELECTRIC POWER STEERING (EPS) ASSEMBLY

1. RECORD THE RADIO STATION PRESETS
2. PLACE THE FRONT WHEELS IN A STRAIGHT-AHEAD POSITION
 - a) Place the front wheels in a straight-ahead position and center the steering wheel.



3. HOLD THE STEERING WHEEL IN POSITION
 - a) Using the seat belt, hold the steering wheel in position as shown in the illustration. This will prevent the steering wheel from rotating and damaging the spiral cable.

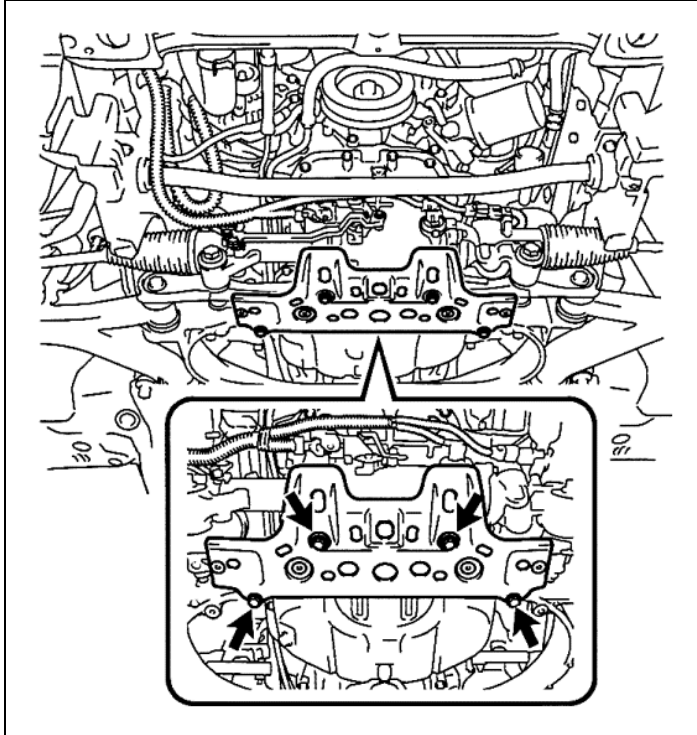


4. DISCONNECT THE NEGATIVE BATTERY CABLE

5. REMOVE THE FRONT WHEELS

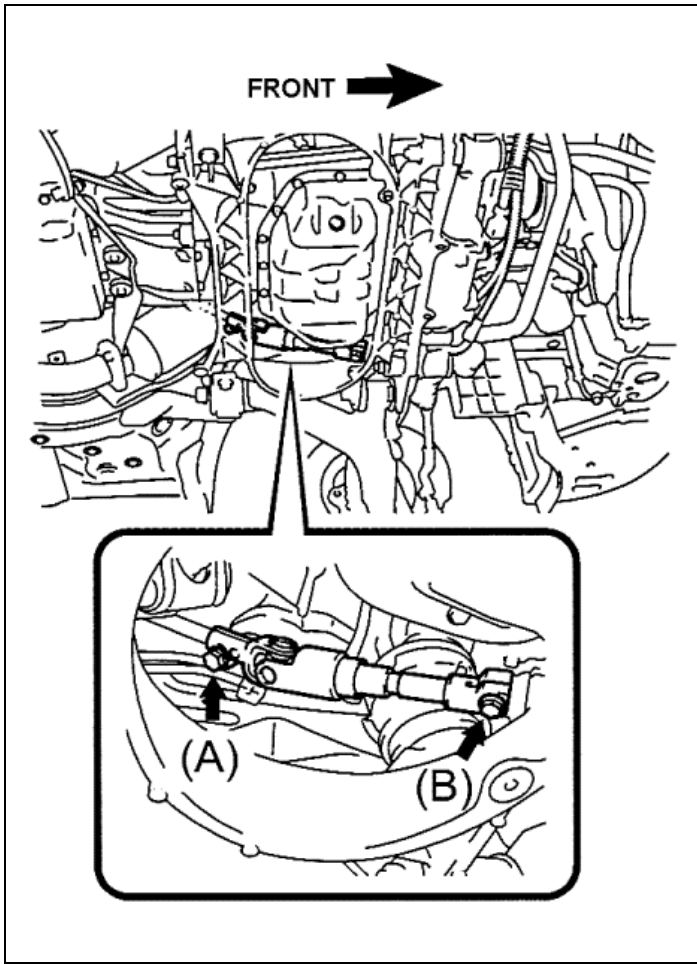
6. REMOVE THE ENGINE UNDER COVERS

- a. Remove Engine Under Cover.
- b. Remove Engine Under Cover No. 2.



7. REMOVE THE LOWER FRONT SUSPENSION MEMBER PROTECTOR

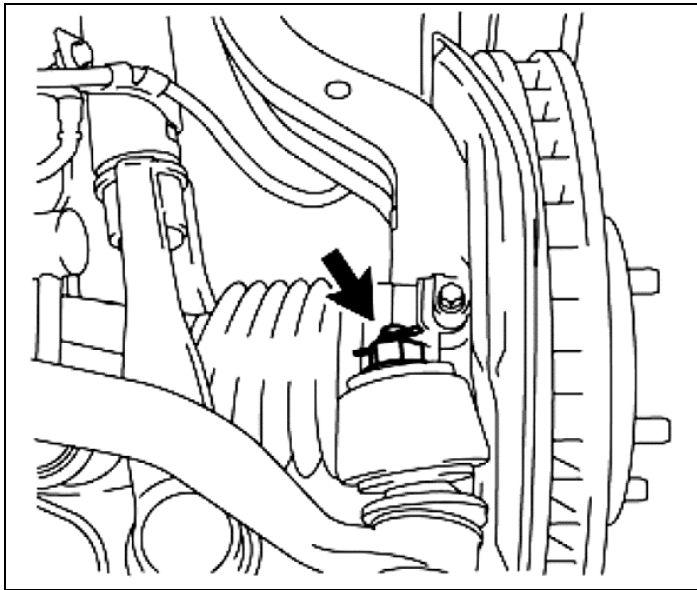
- a) Remove the 4 bolts, and the lower front suspension member protector.



8. SEPARATE THE STEERING INTERMEDIATE SHAFT ASSEMBLY NO. 2

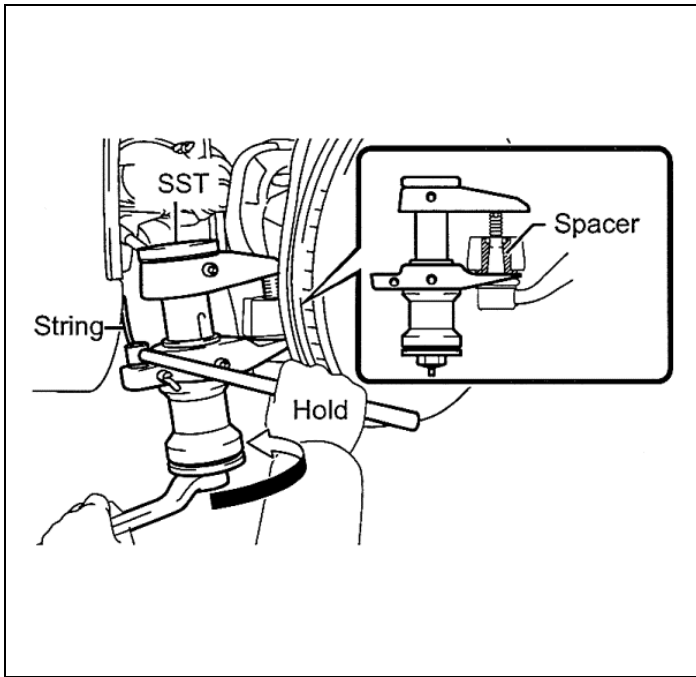
- a) Loosen bolt A, but **DO NOT** remove.
- b) Loosen and remove bolt B.
- c) Disconnect the intermediate shaft assembly No. 2 from EPS assembly.

CAUTION: CATALYTIC CONVERTER AND CRANKCASE MAY BE HOT



9. SEPARATE THE TIE RODS

- a) Remove the clip and the castle nut.

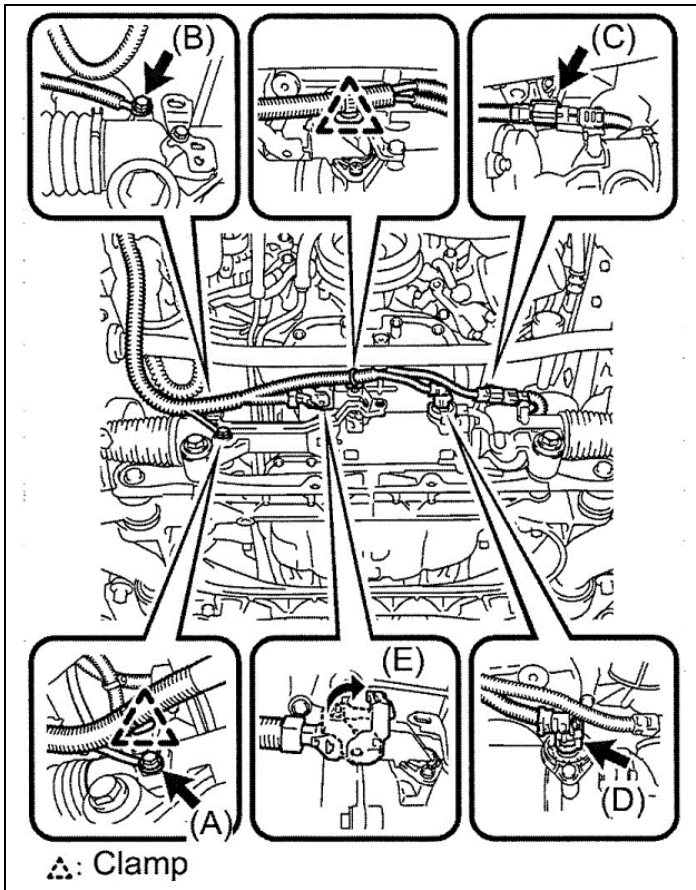


- b) Using SST 09628-00011, separate the tie rod from the steering knuckle.
- c) Repeat the procedure on the opposite side.

SST: 09628-00011

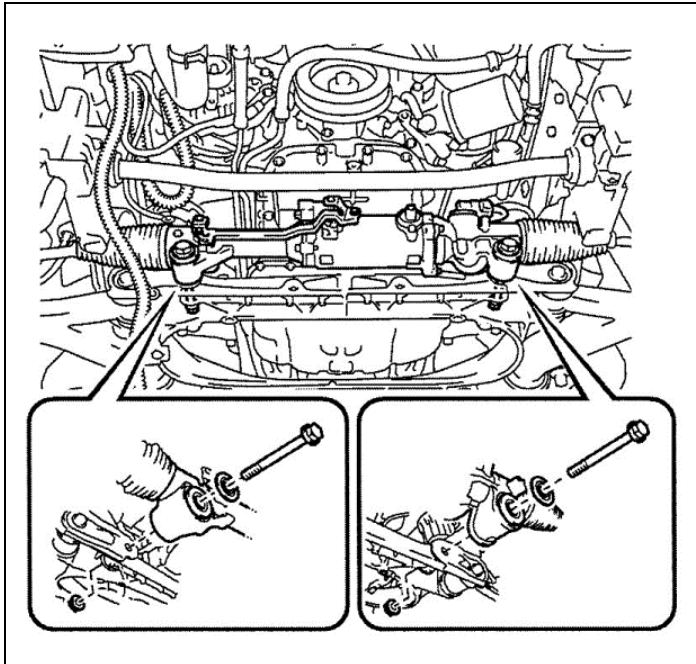
NOTE:

- Hang the SST with the attached string to prevent it from falling.
- DO NOT damage the front brake disc dust cover.
- DO NOT damage the ball joint dust boot.
- DO NOT damage the steering knuckle.



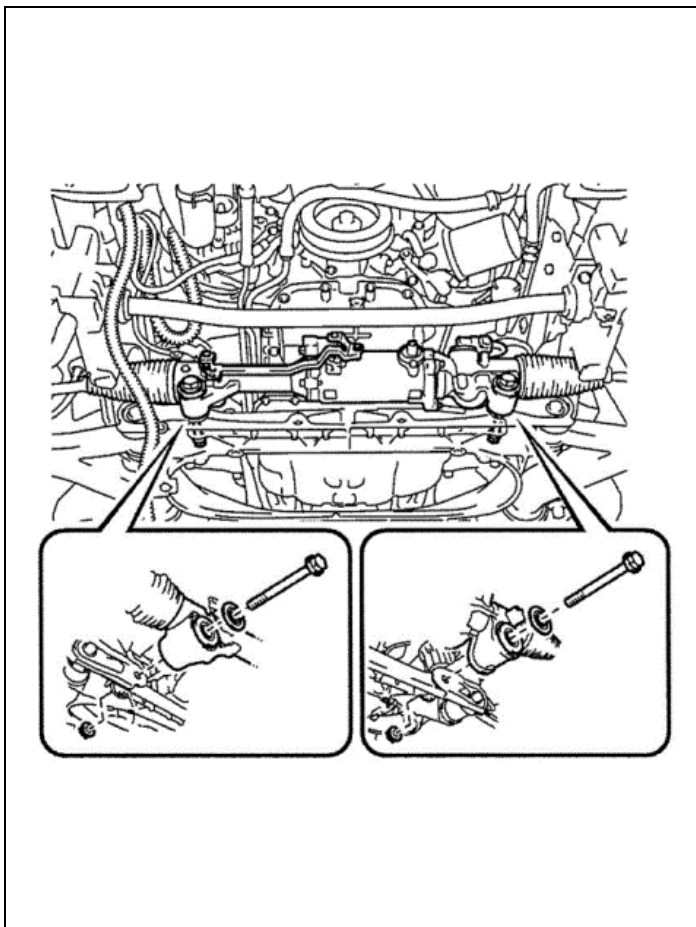
10. REMOVE THE EPS ASSEMBLY

- a) Remove bolt A to disconnect the ground wire from the bracket.
- b) Disconnect the 2 wire harness clamps from the EPS brackets.
- c) Disconnect connectors C and D from the EPS assembly.
- d) Release the connector lock and disconnect connector E from the EPS assembly.
- e) Remove bolt B to disconnect the ground wire from the EPS assembly.



- f) Remove the 2 bolts, 2 washers and 2 nuts.
- g) Remove the EPS assembly from the front suspension cross member.

B. INSTALL THE NEW ELECTRIC POWER STEERING (EPS) ASSEMBLY



1. INSTALL THE NEW EPS ASSEMBLY

- a) Install the **NEW** EPS assembly to the front suspension cross member.

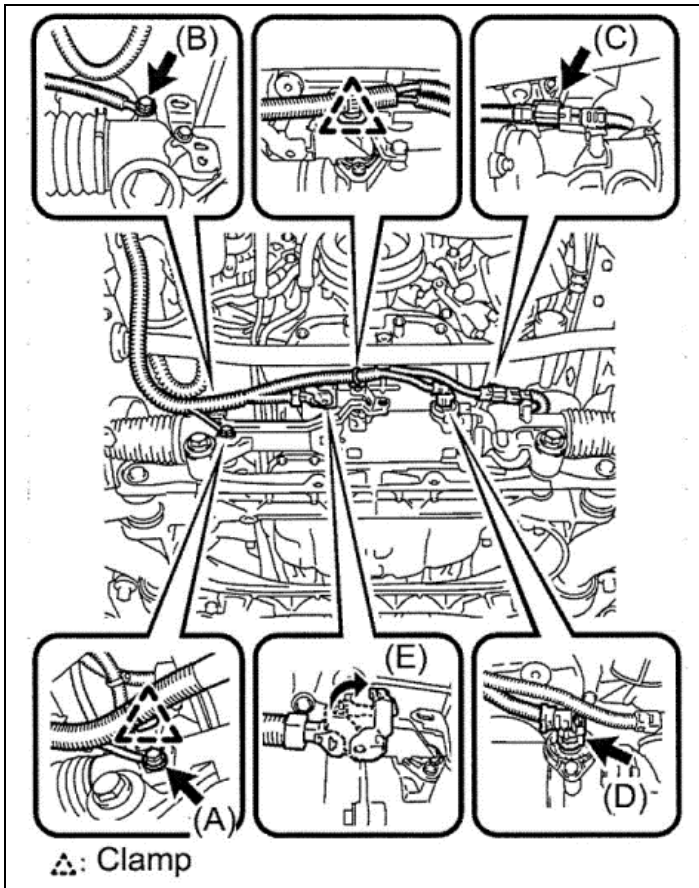
NOTE:

Keep the protective connector caps installed when installing the EPS assembly onto the vehicle to prevent the connectors from being broken.

- b) Remove the protective connector caps from the new EPS assembly.
- c) Reinstall the 2 bolts, 2 washers and 2 nuts, and torque to specification.

Torque Specification:

118 N·m (1,200 kgf·cm, 87 ft·lbf)

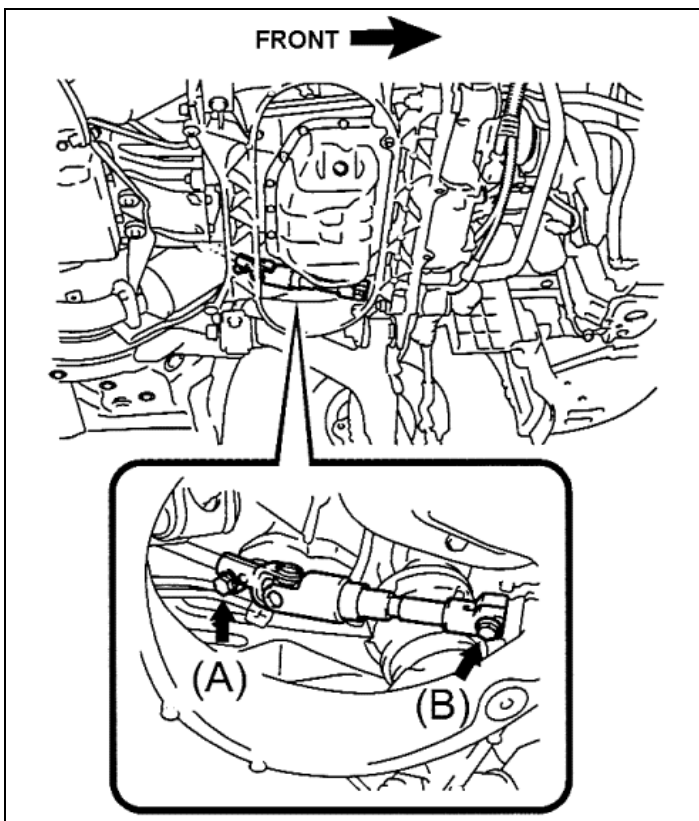


- d) Reconnect the ground wire to the EPS assembly, reinstall bolt B and torque to specification.

Torque Specification:
5.0 N·m (51 kgf·cm, 44 in·lbf)

- e) Reconnect connector E to the EPS assembly, and secure the connector lock.
- f) Reconnect connectors C and D to the EPS assembly.
- g) Reconnect the 2 wire harness clamps to the EPS brackets.
- h) Reconnect the ground wire to the bracket, reinstall bolt A. and torque to specification.

Torque Specification:
8.0 N·m (82 kgf·cm, 71 in·lbf)



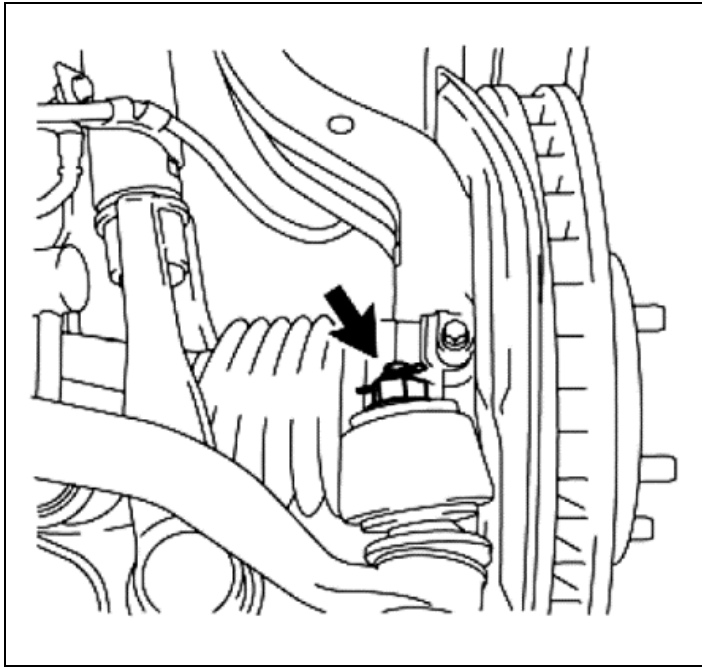
2. REINSTALL THE STEERING INTERMEDIATE SHAFT ASSEMBLY NO. 2

- a) Reconnect the intermediate shaft assembly No. 2 to the EPS assembly.
- b) Reinstall bolt B and torque to specification.

Torque Specification:
35 N·m (360 kgf·cm, 26 ft·lbf)

- c) Tighten bolt A and torque to specification.

Torque Specification:
35 N·m (360 kgf·cm, 26 ft·lbf)



3. REINSTALL THE TIE RODS

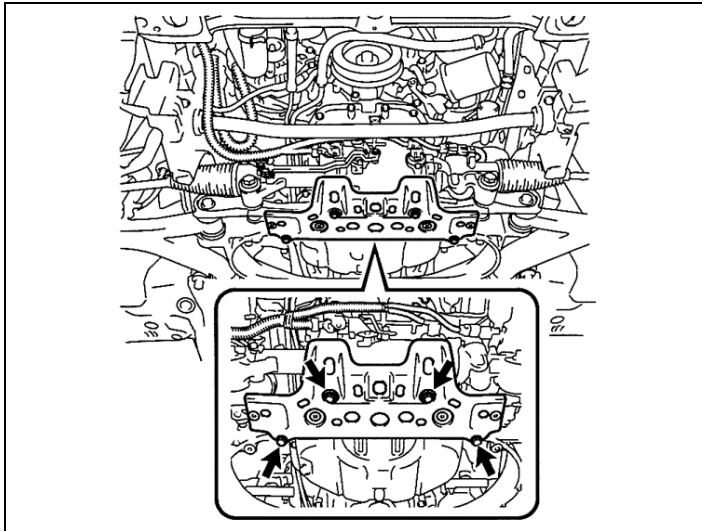
- a) Reconnect the tie rod to the steering knuckle.
- b) Reinstall the nut and torque to specification.

Torque Specification:
65 N-m (663 kgf-cm, 50 ft-lbf)

NOTE:

If the holes for the clip are not aligned, the nut can be tightened up to an additional 60°.

- c) Install a **NEW** clip.
- d) Repeat the procedure on the opposite side.



4. REINSTALL THE FRONT SUSPENSION MEMBER PROTECTOR LOWER

- a) Reinstall the front suspension member protector lower, the 4 bolts and torque to specification.

Torque Specification:
8.0 N-m (82 kgf-cm, 71 in-lbf)

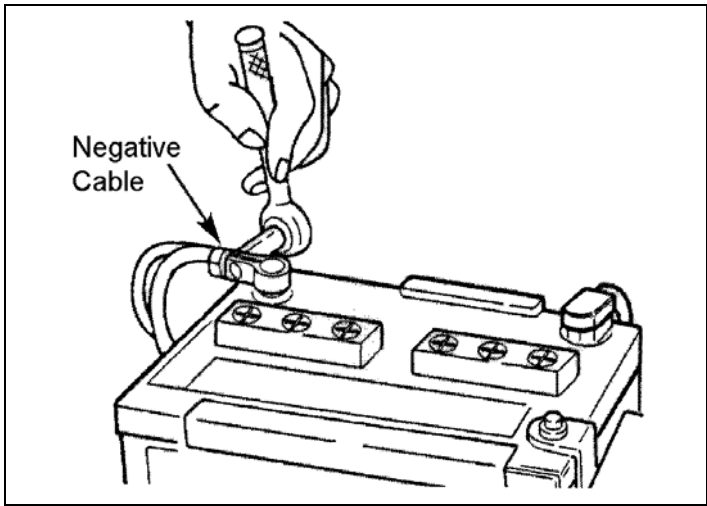
5. REINSTALL THE ENGINE UNDER COVERS

- a) Reinstall the Engine Under Cover No. 2.
- b) Reinstall the Engine Under Cover.

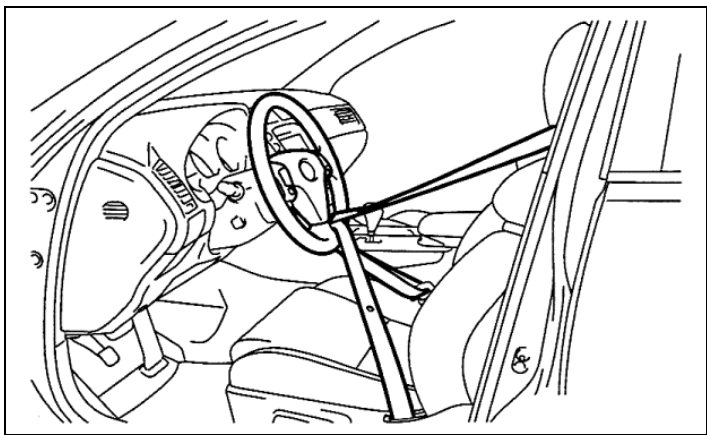
6. REINSTALL THE FRONT WHEELS

- a) Reinstall the front wheels and torque to specification.

Torque Specification:
103 N-m (1,050 kgf-cm, 76 ft-lbf)



7. RECONNECT THE NEGATIVE BATTERY CABLE



8. RELEASE THE STEERING WHEEL

- a) Release the seat belt and remove it from the steering wheel.

NOTE:

DO NOT damage the steering wheel during this process.

9. REPROGRAM THE RADIO STATION PRESETS AND SET THE CLOCK TO THE APPROPRIATE TIME

10. INSPECT AND ADJUST THE FRONT WHEEL ALIGNMENT

11. PERFORM INITIALIZATION AND CALIBRATION FOR VARIOUS VEHICLE SYSTEMS

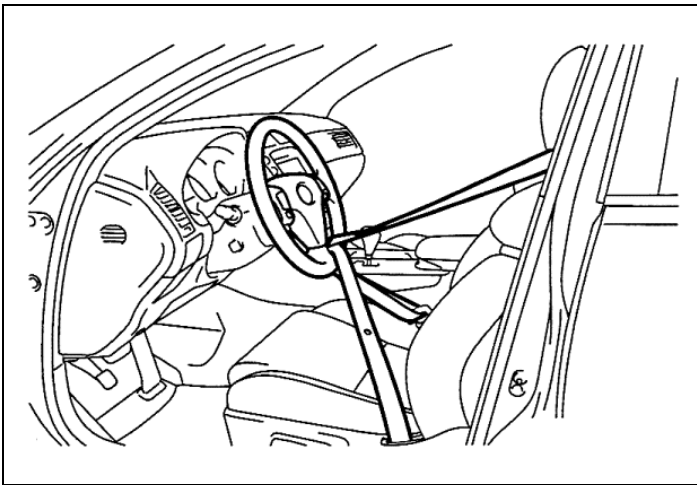
NOTE:

VGRS recalibration is only necessary on GS 430 vehicles.

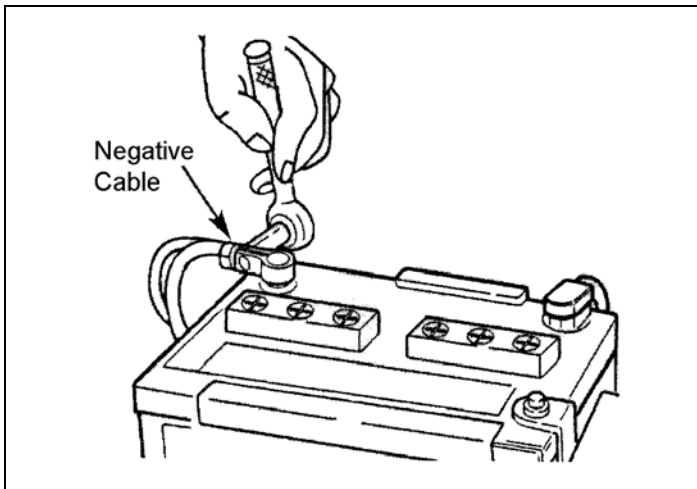
VII. WORK PROCEDURE FOR GS 300 AWD VEHICLES

A. REMOVE THE ELECTRIC POWER STEERING (EPS) ASSEMBLY

1. RECORD THE RADIO STATION PRESETS
2. PLACE THE FRONT WHEEL IN A STRAIGHT-AHEAD POSITION
 - a) Place the front wheels in a straight-ahead position and center the steering wheel.

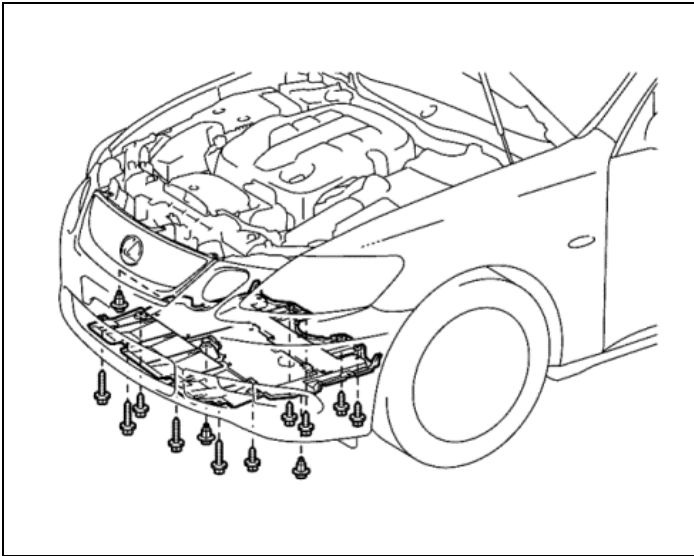


3. HOLD THE STEERING WHEEL IN POSITION
 - a) Using the seat belt, hold the steering wheel in position as shown in the illustration. This will prevent the steering wheel from rotating and damaging the spiral cable.



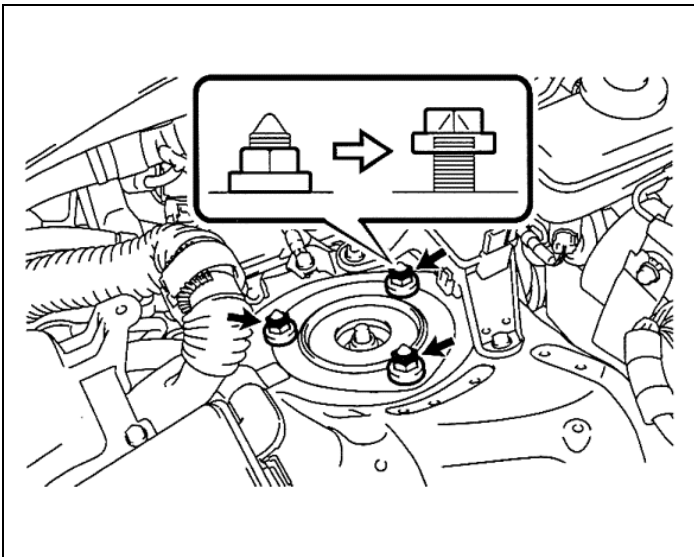
4. DISCONNECT THE NEGATIVE BATTERY CABLE

5. REMOVE THE FRONT WHEELS



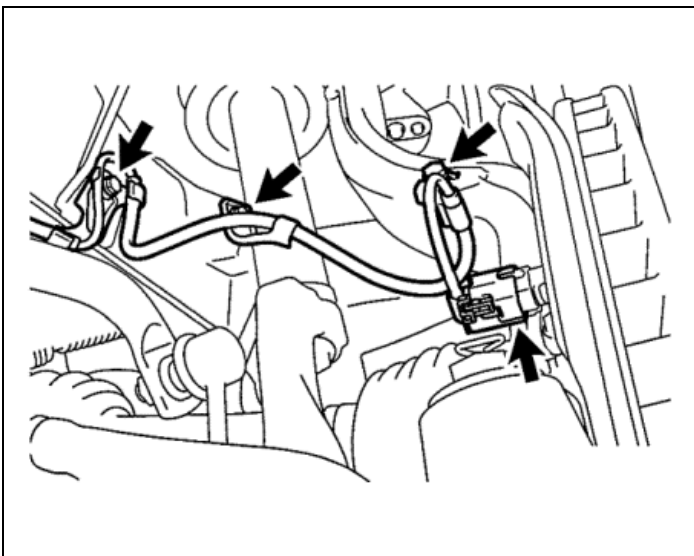
6. REMOVE ENGINE UNDER COVER

- a) Remove the 10 screws and 3 clips.



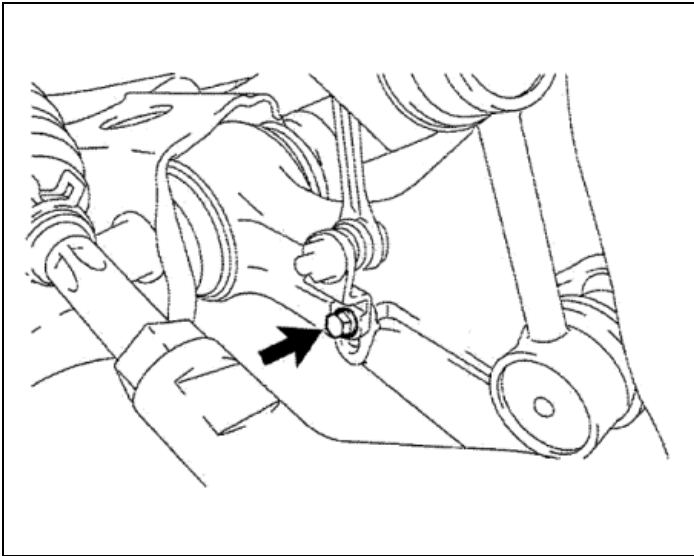
7. LOOSEN THE FRONT SHOCK ABSORBER ASSEMBLY

- a) Loosen the 3 front shock absorber assembly nuts, but **Do Not** remove, as shown in the illustration.
- b) Repeat the procedure on the opposite side.



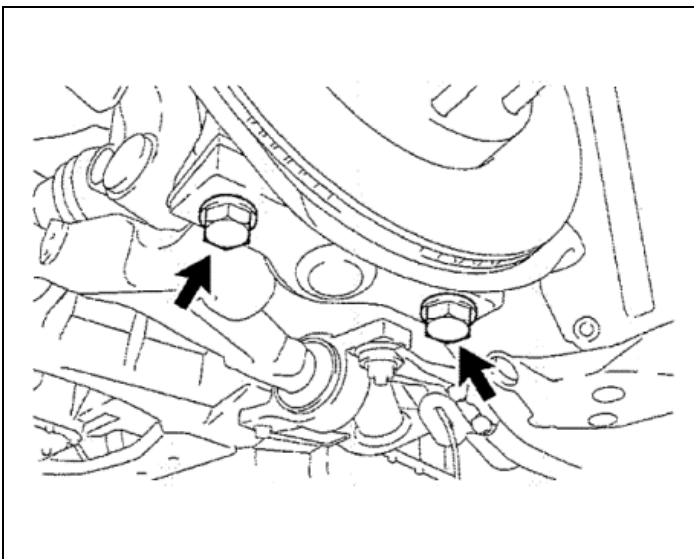
8. DISCONNECT THE WHEEL SPEED SENSOR WIRE

- a) Disconnect the connector.
- b) Remove the 3 bolts as shown in the illustration.
- c) Repeat the procedure on the opposite side.



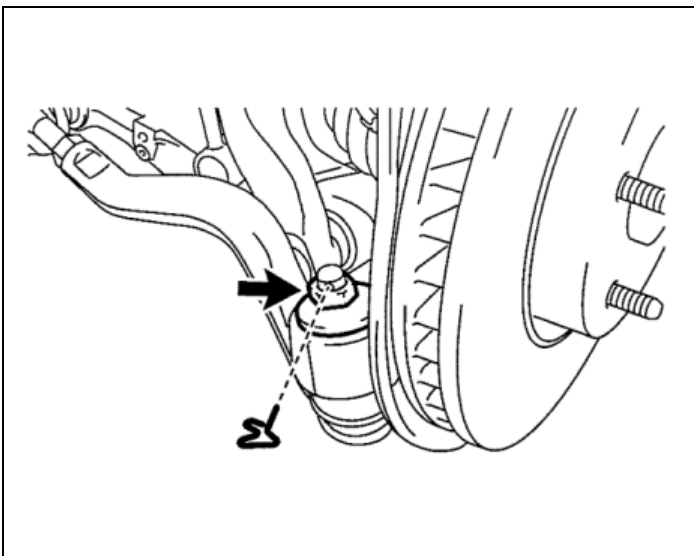
9. SEPARATE THE FRONT HEIGHT CONTROL SENSOR LINK SUB-ASSEMBLY

- a) Remove the nut and separate the height control sensor link.
- b) Repeat the procedure on the opposite side.



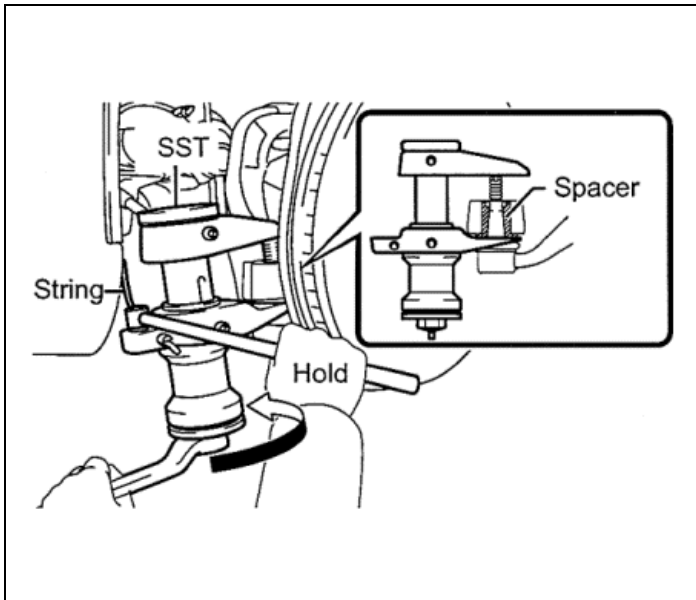
10. SEPARATE THE FRONT LOWER BALL JOINT ASSEMBLY

- a) Remove the 2 bolts and separate the front lower ball joint assembly.
- b) Repeat the procedure on the opposite side.



11. SEPARATE THE TIE ROD ASSEMBLY

- a) Remove the clip and the nut.
- b) Repeat the procedure on the opposite side.

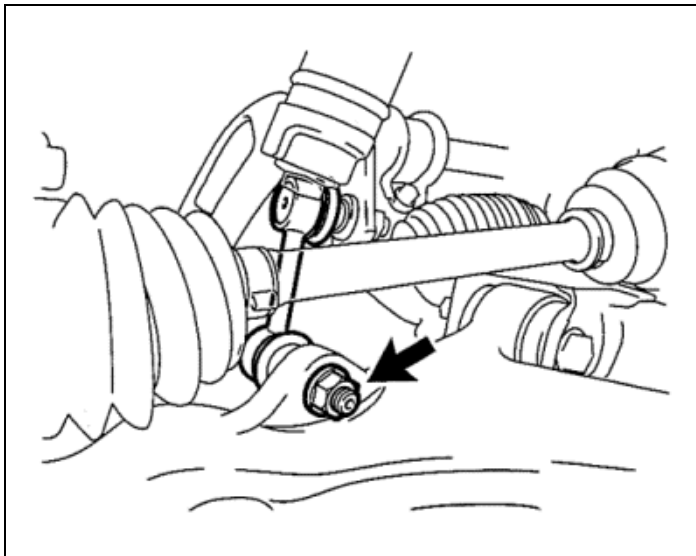


- c) Using SST 09628-00011, separate the tie rod from the steering knuckle.
- d) Repeat the procedure on the opposite side.

SST: 09628-00011

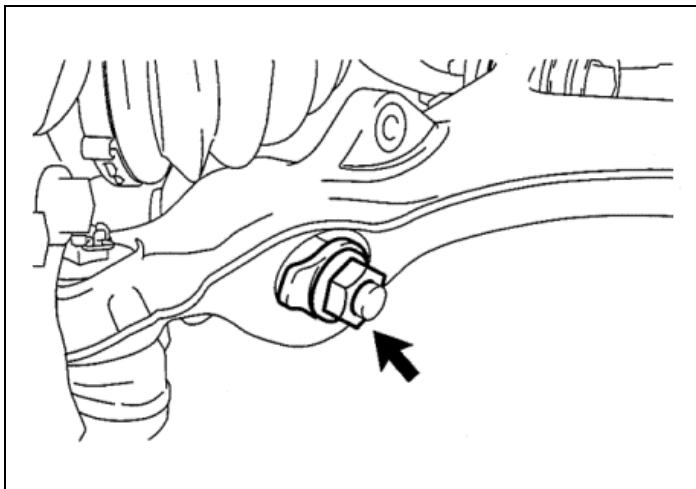
NOTE:

- Hang the SST with the attached string to prevent it from falling.
- DO NOT damage the front disc brake dust cover.
- DO NOT damage the ball joint dust boot.
- DO NOT damage the steering knuckle.



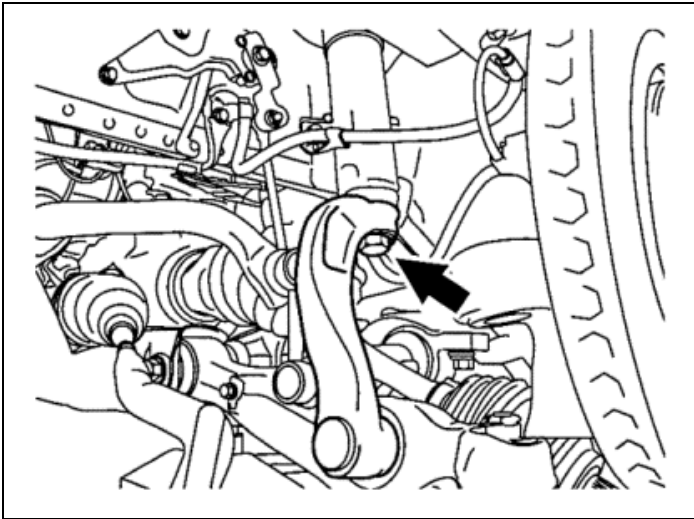
12. SEPARATE THE FRONT STABILIZER LINK ASSEMBLY

- a) Remove the nut and separate the front stabilizer link assembly.
- b) Repeat the procedure on the opposite side.

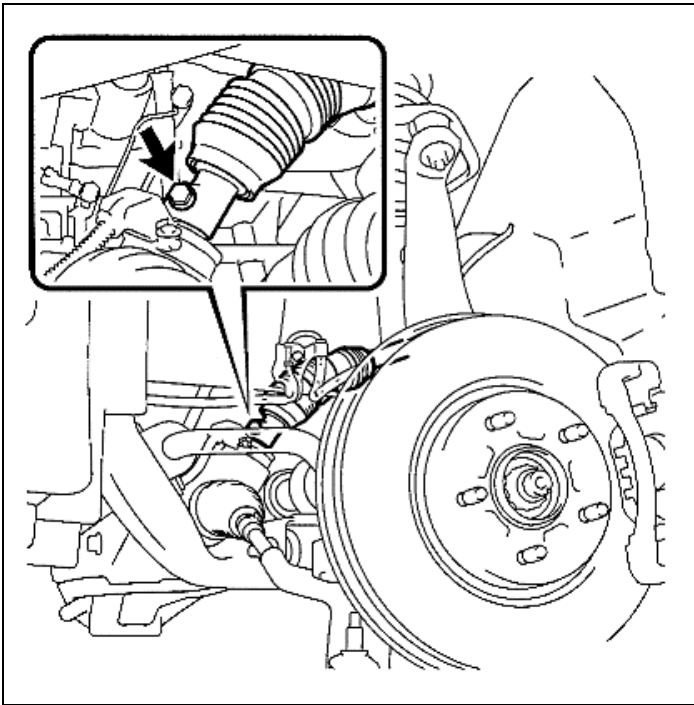


13. REMOVE THE FRONT SHOCK ABSORBER BRACKET

- a) Remove the nut and plate.

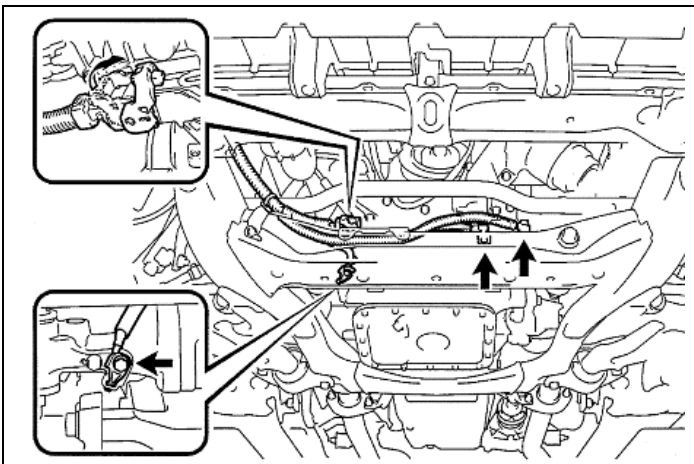


- b) Remove the bolt and remove front shock absorber bracket.
- c) Repeat the procedure on the opposite side.



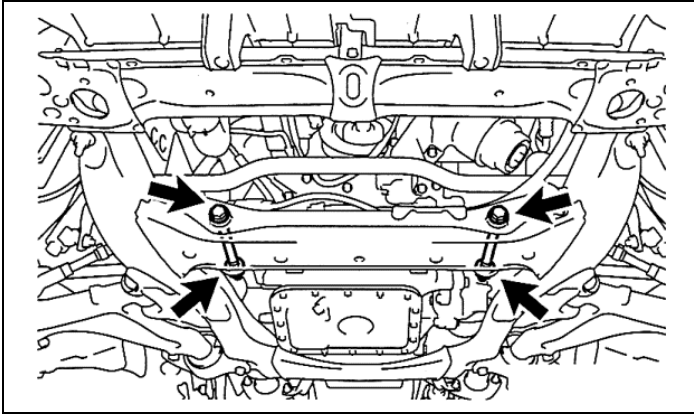
14. SEPARATE THE STEERING INTERMEDIATE SHAFT ASSEMBLY NO. 2

- a) Remove the bolt and separate the steering intermediate shaft assembly No. 2.

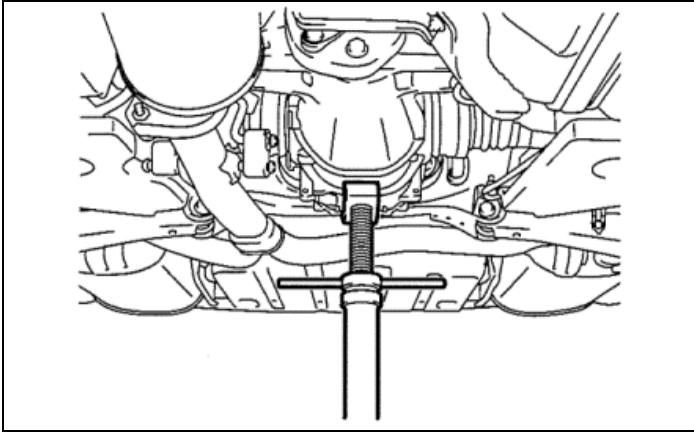


15. REMOVE THE EPS ASSEMBLY

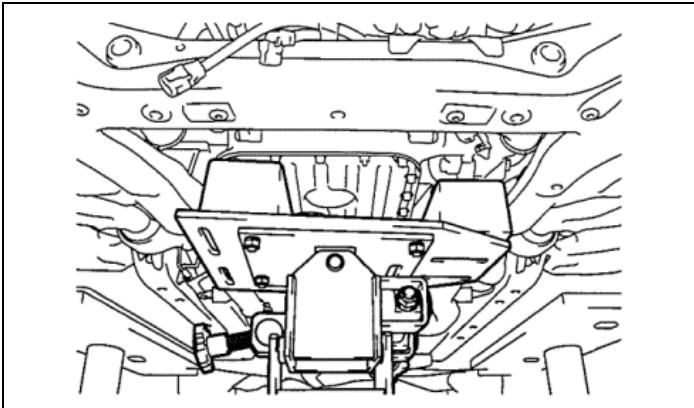
- a) Disconnect the 3 connectors
- b) Remove the 3 bolts, and disconnect the 2 ground wires.



c) Remove the 2 bolts and nuts for the EPS assembly.



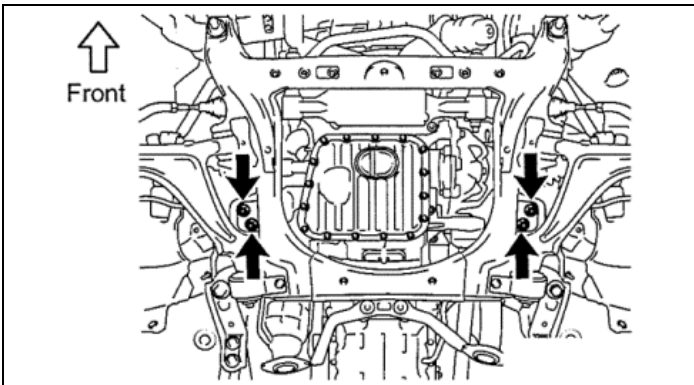
d) Using a screw jack or another similar device, support the rear of the vehicle at the rear differential.



e) Position two blocks of wood as shown in the illustration and set the transmission jack.

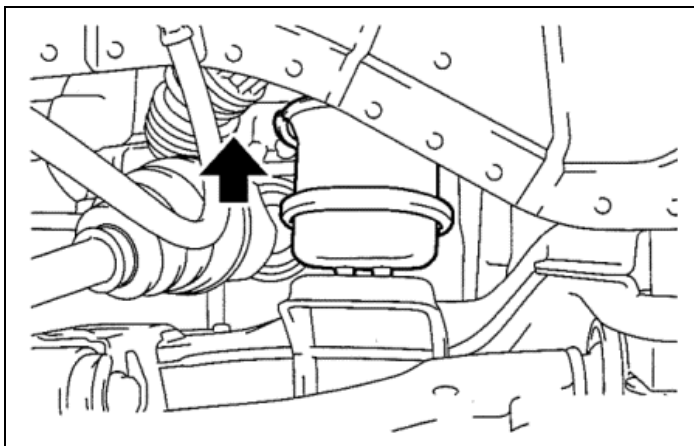
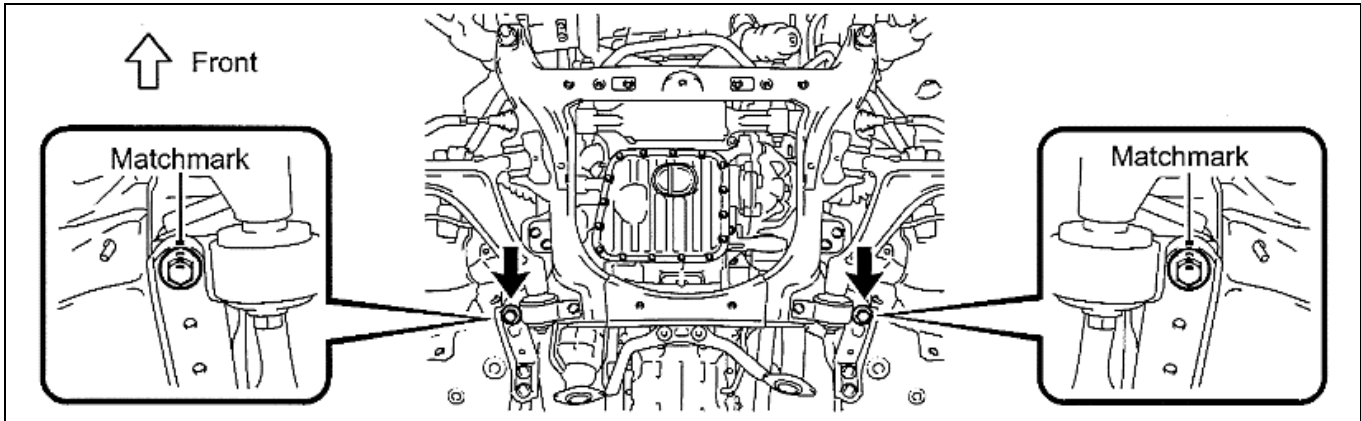
NOTE:

Position the attachment so that the jack supports the engine oil pan and the sub-frame can be lowered.

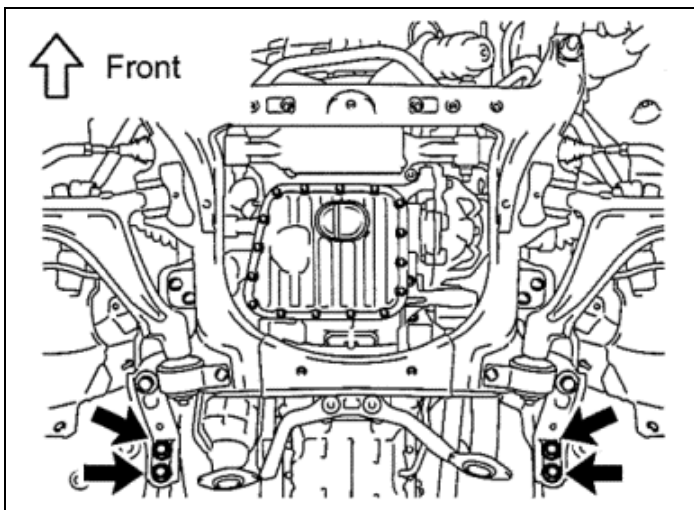


f) Remove the 4 engine mount nuts for both engine mounts as shown in the illustration.

- g) Place matchmarks on the bolt heads of the rear bolts for the front suspension cross member.



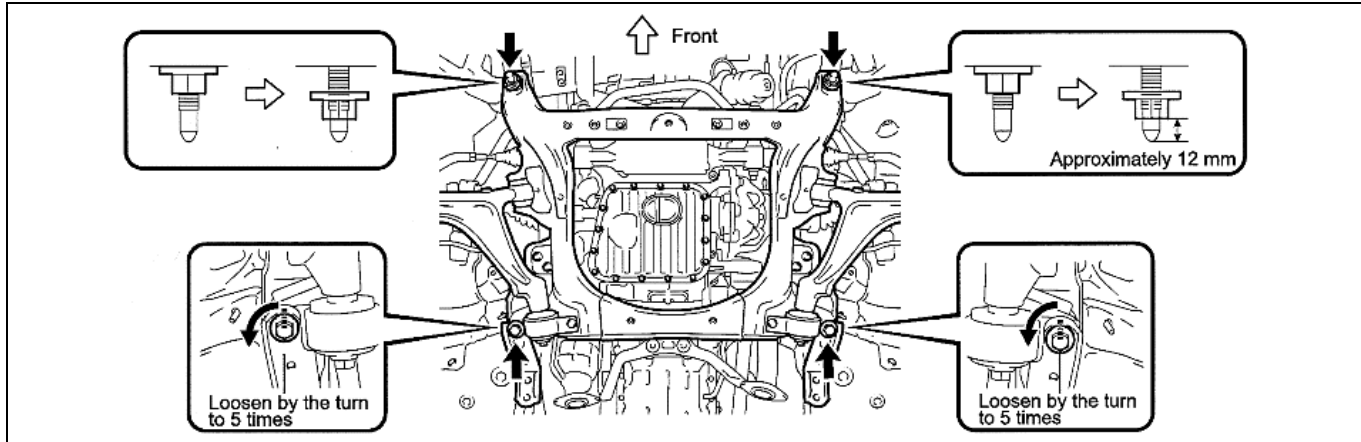
- h) Raise the transmission jack until both of the engine mounts lift off the front suspension cross member.



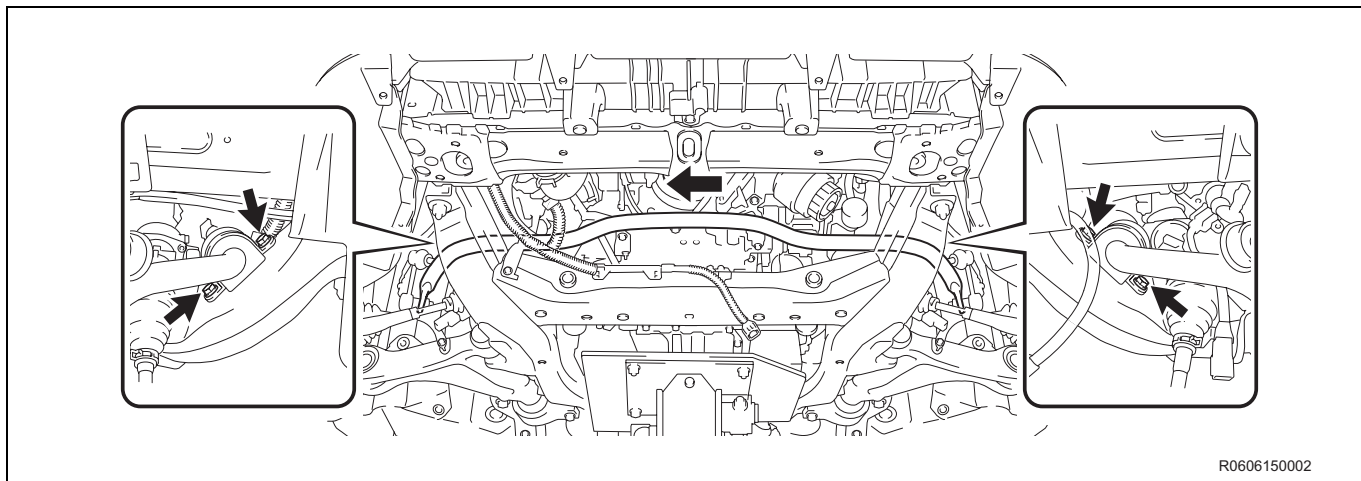
- i) Remove the 4 bolts from the side rail plates.

- j) Loosen the 2 nuts of the front suspension cross member.
- k) Using the matchmarks, loosen the 2 bolts 5 turns.

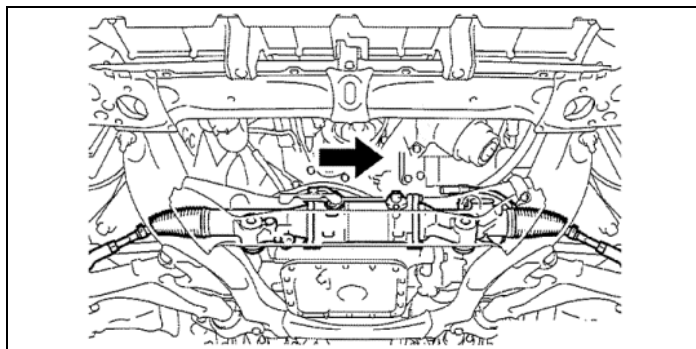
NOTE:
Do not remove the bolts or nuts.



- l) Remove the 4 bolts and the 2 stabilizer bar brackets.
- m) Remove the front stabilizer bar in the direction shown in the illustration.

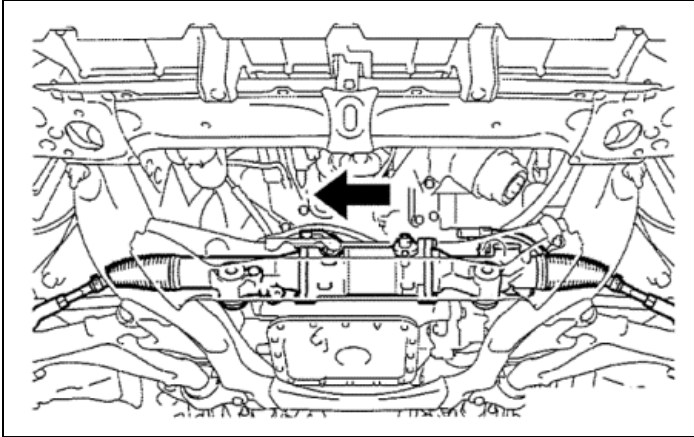


R0606150002



- n) Remove the EPS assembly in the direction shown in the illustration.

B. INSTALL THE NEW ELECTRIC POWER STEERING (EPS) ASSEMBLY



1. INSTALL THE NEW EPS ASSEMBLY

- a) Install the **NEW** EPS assembly to the front suspension cross member in the direction shown in the illustration.

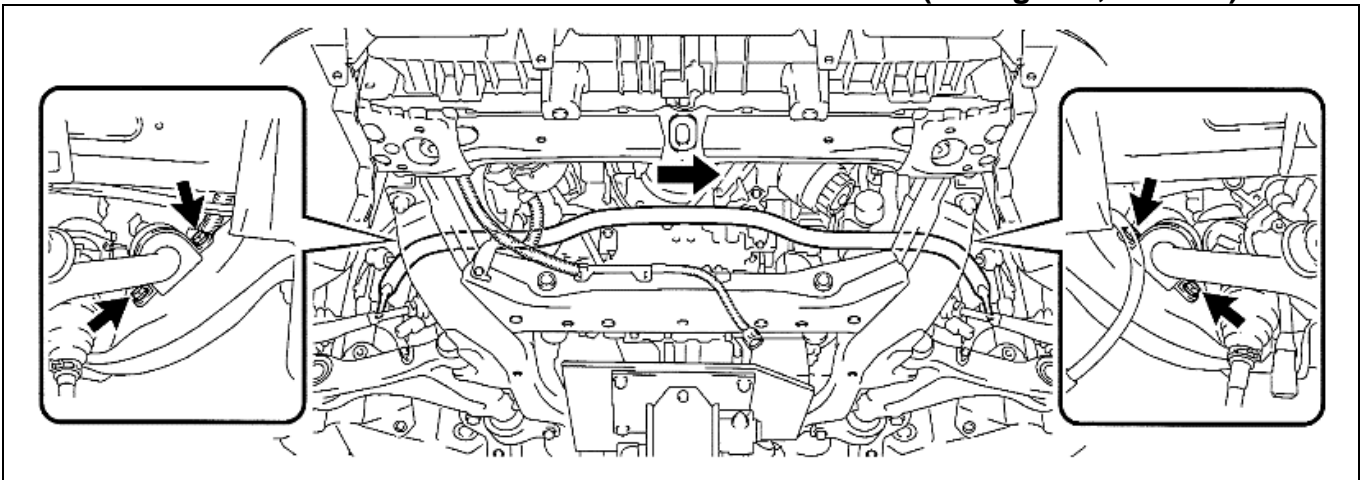
NOTE:

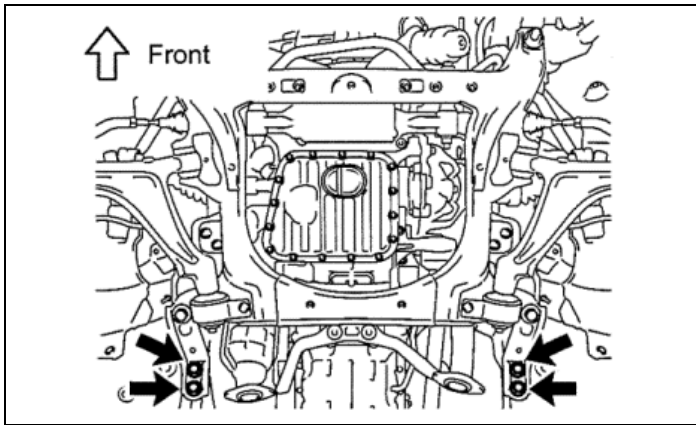
Keep the protective connector caps installed when installing the EPS assembly onto the vehicle to prevent the connectors from being broken.

- b) After reinstalling the EPS assembly onto the vehicle, remove each connector cap from the EPS assembly.
- c) Reinstall the front stabilizer bar in the direction shown in the illustration.
- d) Reinstall the 2 brackets and 4 bolts to the stabilizer bar and torque to specification.

Torque Specification:

78 N·m (795 kgf·cm, 58 ft·lbf)



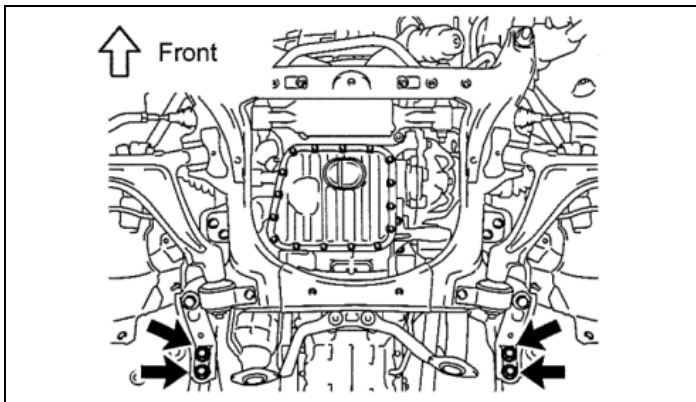
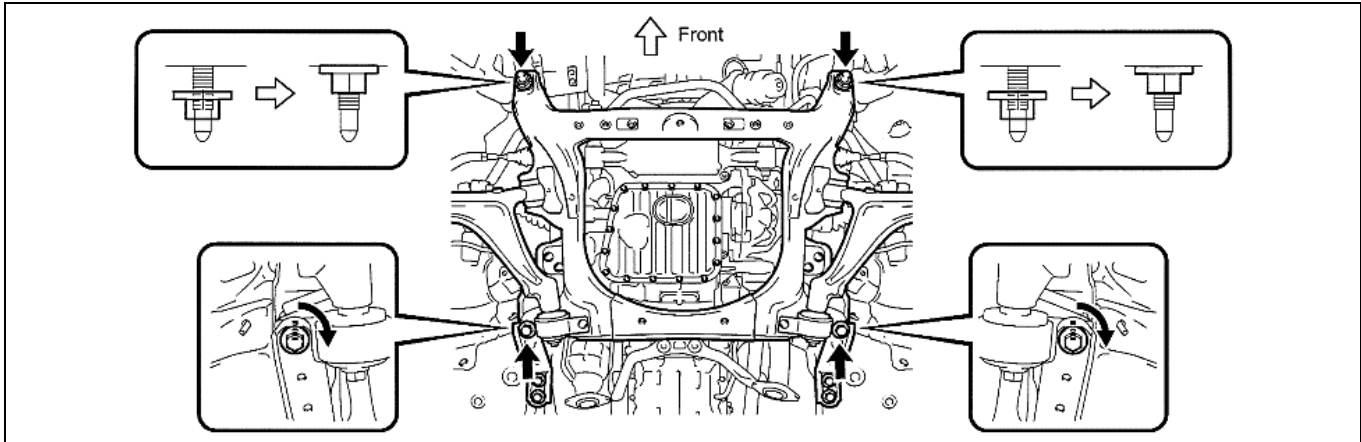


- e) Temporarily reinstall the 4 bolts for the side rail plates.
- f) Torque the 2 bolts and 2 nuts for the front suspension cross member to specification.

Torque Specifications:

Bolt: 204 N·m (2080 kgf·cm, 150 ft·lbf)

Nut: 167 N·m (1700 kgf·cm, 123 ft·lbf)

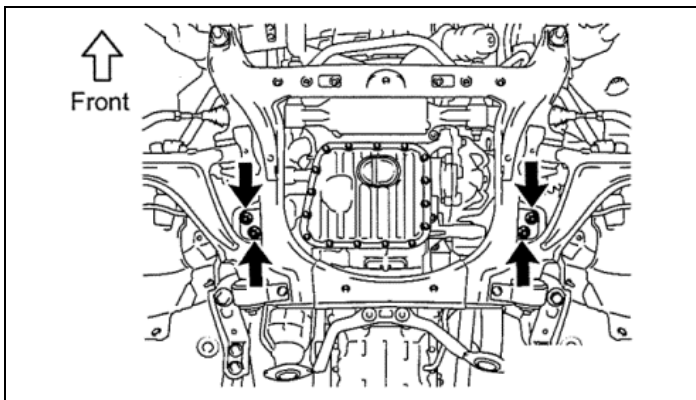


- g) Torque the 4 bolts for the side rail plates to specification.

Torque Specification:

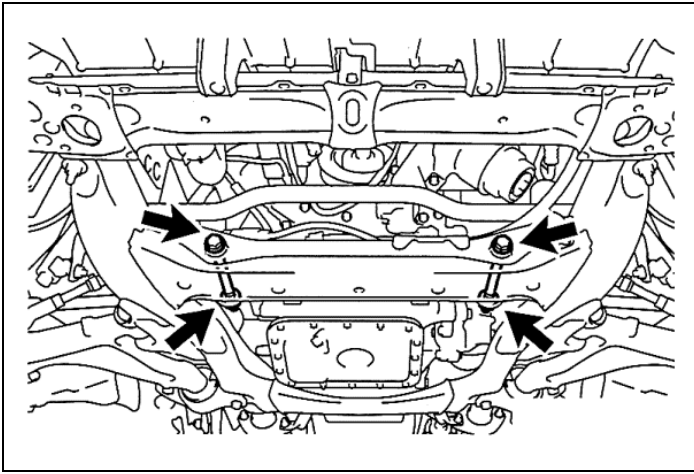
50 N·m (510 kgf·cm, 37 ft·lbf)

- h) Remove the transmission jack from the vehicle.
- i) Remove the screw jack from the rear differential of the vehicle.



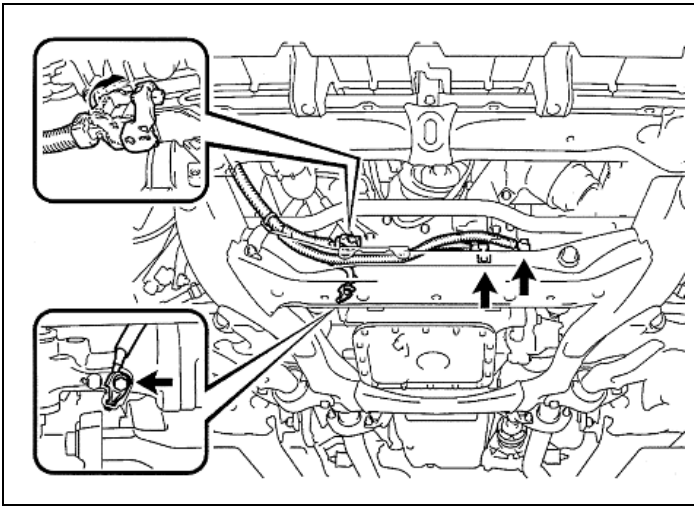
- j) Torque the 4 engine mount nuts to specification.

Torque: 70 N·m (714 kgf·cm, 51 ft·lbf)



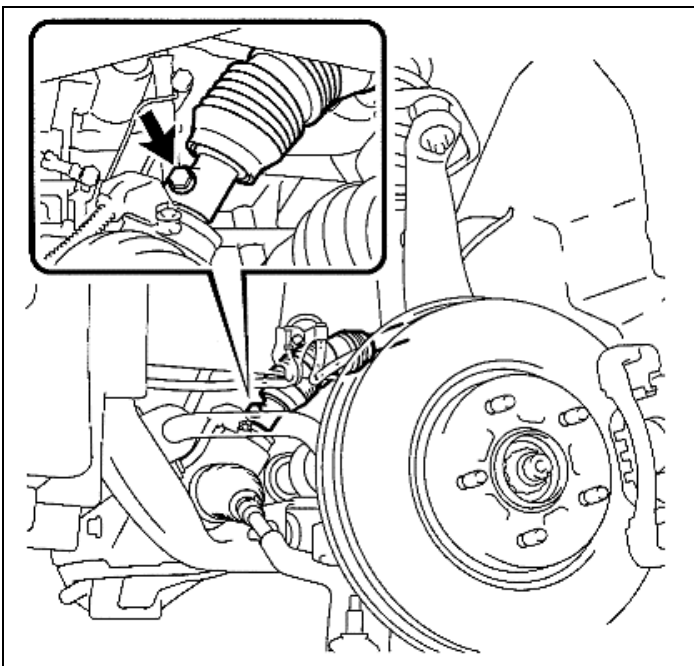
- k) Reinstall the 2 bolts and 2 nuts for the EPS assembly and torque to specification.

Torque Specification:
102 N·m (1040 kgf·cm, 75 ft·lbf)



- l) Reconnect the 3 connectors, and the 2 ground wires.
- m) Reinstall the 3 bolts and torque to specification.

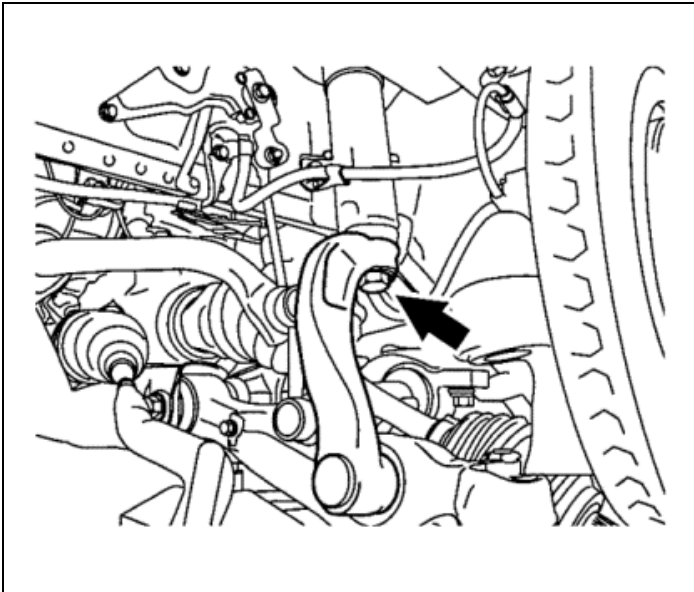
Torque Specification:
8.0 N·m (82 kgf·cm, 70 in·lbf)



2. REINSTALL THE STEERING INTERMEDIATE SHAFT ASSEMBLY NO.2

- a) Reinstall the steering intermediate shaft and torque it to specification.

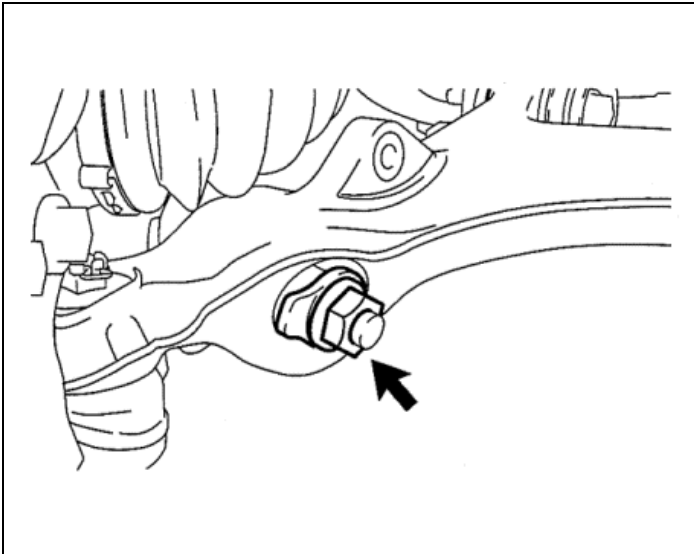
Torque Specification:
35 N·m (360 kgf·cm, 26 ft·lbf)



3. REINSTALL THE FRONT SHOCK ABSORBER BRACKET

- a) Reinstall the front shock absorber bracket, reinstall the bolts and torque to specification.

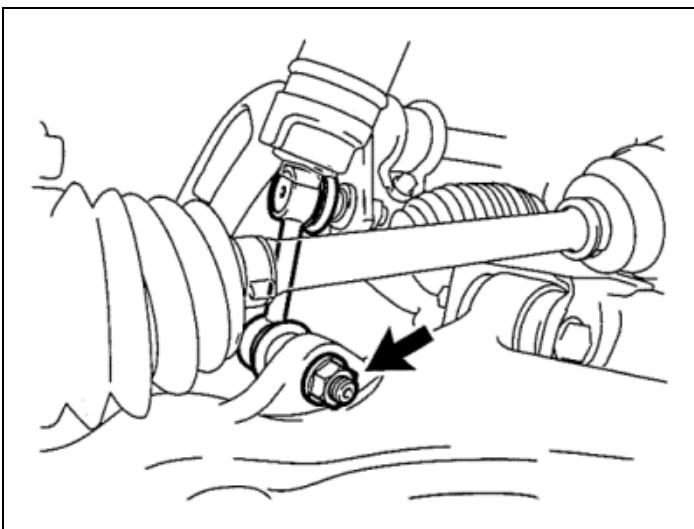
Torque Specification:
48 N·m (490 kgf·cm, 35 ft·lbf)



- b) Re install the plate, nut and torque to specification.

Torque Specification:
112 N·m (1140 kgf·cm, 83 ft·lbf)

- c) Repeat the procedure on the opposite side.

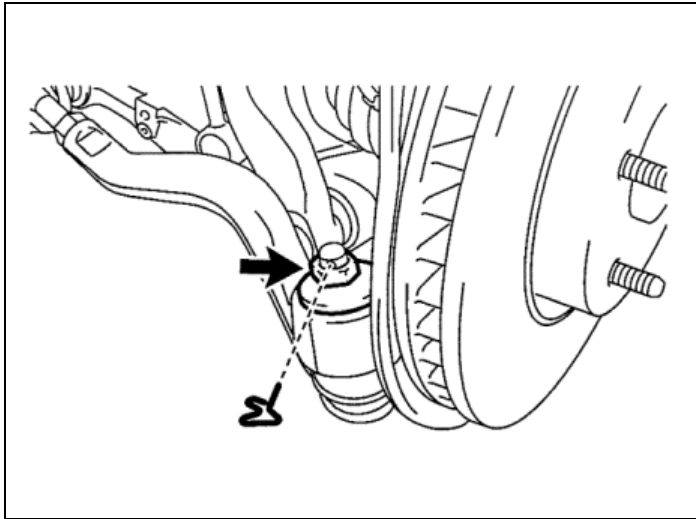


4. REINSTALL THE FRONT STABILIZER LINK ASSEMBLY

- a) Reinstall the front stabilizer bar link and torque the nut to specification.

Torque Specification:
84 N·m (857 kgf·cm, 62 ft·lbf)

- b) Repeat the procedure on the opposite side.



5. REINSTALL THE TIE ROD ASSEMBLY

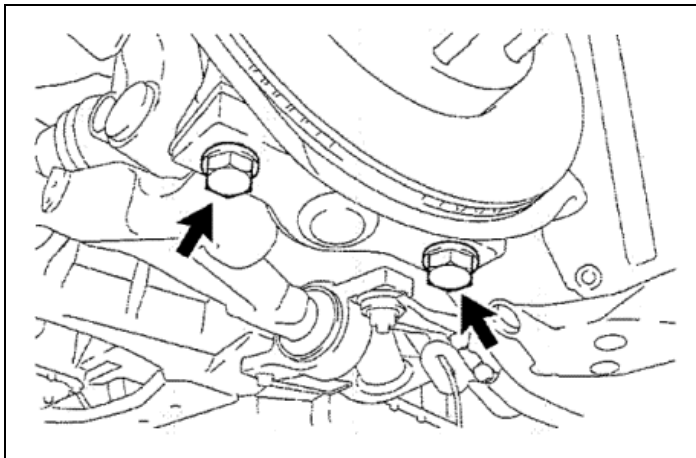
- a) Reinstall tie rod assembly and torque castle nut to specifications.

Torque Specification:
65 N·m (663 kgf·cm, 50 ft·lbf)

NOTE:

If the holes for the clip are not aligned, the nut can be tightened up to an additional 60°.

- b) Install a **NEW** clip.
- c) Repeat the procedure on the opposite side.

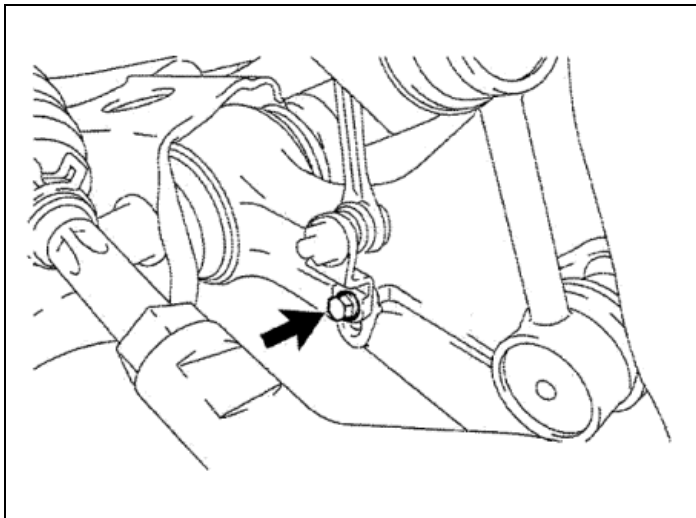


6. REINSTALL THE FRONT LOWER BALL JOINT ASSEMBLY

- a) Reinstall the front lower ball joint assembly, the 2 bolts, and torque to specification.

Torque Specification:
120 N·m (1230 kgf·cm, 89 ft·lbf)

- b) Repeat the procedure on the opposite side.

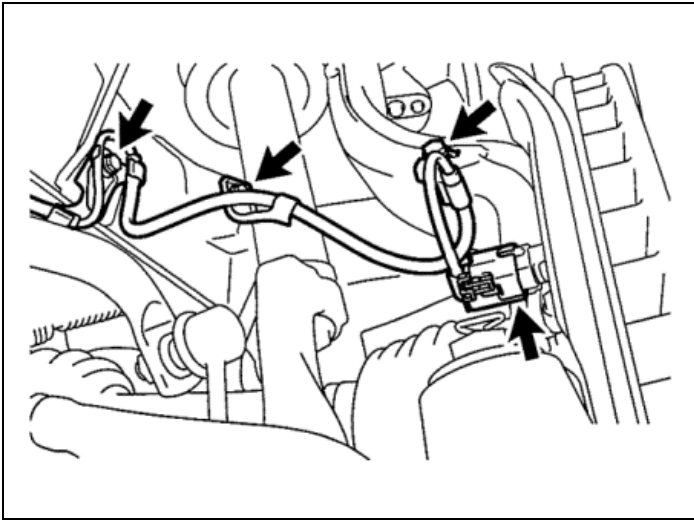


7. REINSTALL THE FRONT HEIGHT CONTROL SENSOR LINK SUB-ASSEMBLY

- a) Reinstall the front height control sensor link sub-assembly to the lower control arm, the 1 bolt, and torque to specification.

Torque Specification:
5.4 N·m (55 kgf·cm, 48 in·lbf)

- b) Repeat the procedure on the opposite side.

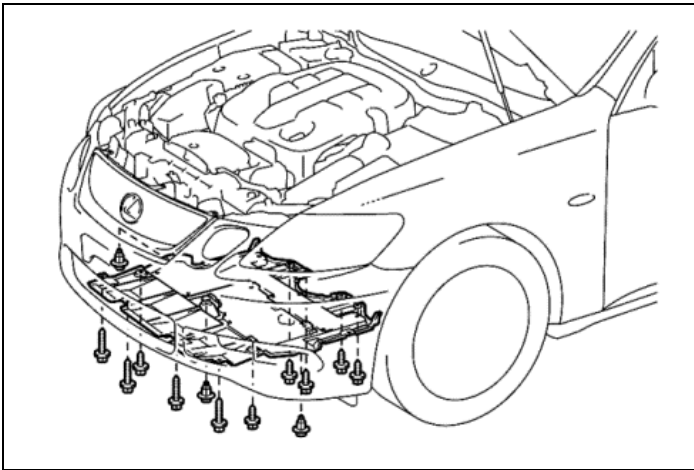


8. REINSTALL THE WHEEL SPEED SENSOR WIRE

- a) Reinstall the wheel speed sensor wire with the 3 bolts and torque to specification.

Torque Specification:
6.0 N-m (61 kgf-cm, 53 in-lbf)

- b) Reconnect the connector.
- c) Repeat the procedure on the opposite side.



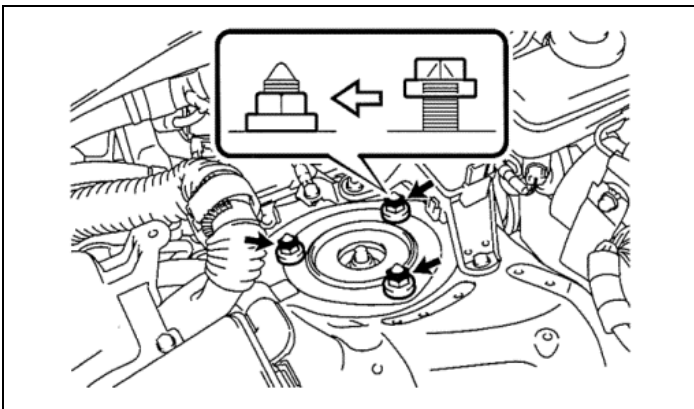
9. REINSTALL THE ENGINE UNDER COVER

- a) Reinstall the engine under cover using the 10 screws and 3 clips.

10. REINSTALL THE FRONT WHEELS

- a) Reinstall the front wheels and torque to specification.

Torque Specification:
103 N-m (1,050 kgf-cm, 76 ft-lbf)

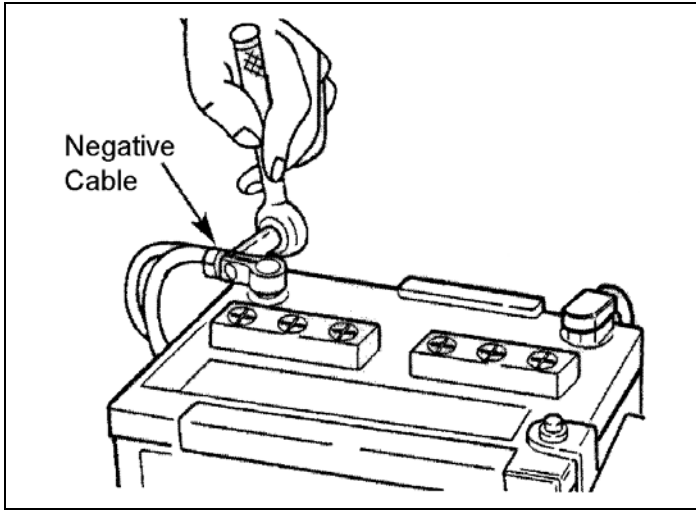


11. TIGHTEN THE FRONT SHOCK ABSORBER ASSEMBLY

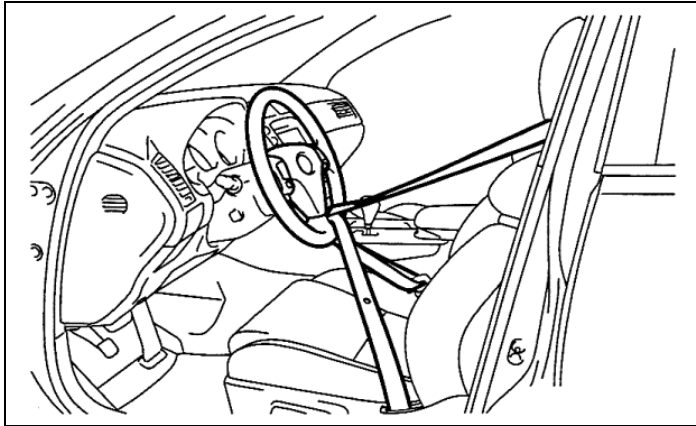
- a) Tighten the 3 front shock absorber nuts and torque to specification.

Torque Specification:
67 N-m (683 kgf-cm, 49 ft-lbf)

- b) Repeat the procedure on the opposite side.



12. RECONNECT THE NEGATIVE BATTERY CABLE



13. RELEASE THE STEERING WHEEL

- a) Release the seat belt and remove it from the steering wheel.

NOTE:
DO NOT damage the steering wheel during this process.

14. REPROGRAM THE RADIO STATION PRESETS AND SET THE CLOCK TO THE APPROPRIATE TIME

15. INSPECT AND ADJUST THE FRONT WHEEL ALIGNMENT

16. PERFORM INITIALIZATION AND CALIBRATION FOR VARIOUS VEHICLE SYSTEMS

NOTE:
VGRS recalibration is only necessary on GS 430 vehicles.

V. RECALLED PARTS DISPOSAL

As required by Federal Regulations, please make sure all recalled parts (original parts) removed from the vehicle are disposed of in a manner in which they will not be reused.