


# HVAC Evaporator Drain Blockage

**Service Category** Vehicle Interior

**Section** Heating/Air Conditioning

**Market** USA

Lexus Supports  
ASE Certification 

## Applicability

YEAR(S)	MODEL(S)	ADDITIONAL INFORMATION
2006	GS300	
2007	GS350	
2006 – 2007	IS250, IS350	

### TSIB SUPERSESSION NOTICE

The information contained in this TSIB supersedes TSIB No. AC003-07.

- Information for GS 300, GS 350, IS 250, and IS 350 has been updated.

TSIB No. AC003-07 is Obsolete and any printed versions should be discarded. Be sure to review the entire content of this service bulletin before proceeding.

## Introduction

Some GS and IS vehicles may exhibit a condition of water present on the front or rear carpets of the vehicle due to the HVAC evaporator drain becoming blocked by debris. Use the following repair procedure to correct this condition.

## Warranty Information

OP CODE	DESCRIPTION	TYPE	TIME	OFFP	T1	T2
BD1075	Remove Evaporator Drain Grommet	AWD	1.6	87128-30050	66	88
		2WD	1.0			

### APPLICABLE WARRANTY

- This repair is covered under the Lexus Comprehensive Warranty. This warranty is in effect for 48 months or 50,000 miles, whichever occurs first, from the vehicle's in-service date.
- Warranty application is limited to occurrence of the specified condition described in this bulletin.

## HVAC Evaporator Drain Blockage

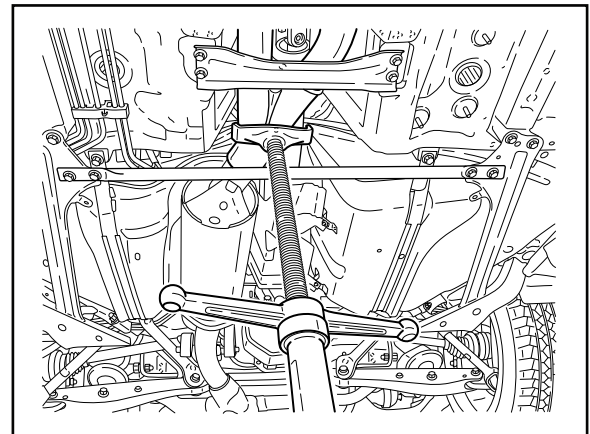
### Production Change Information

This TSIB applies to all 2006 model year GS 300 Tahara-produced vehicles, and to vehicles listed below produced **BEFORE** the Production Change Effective VINs shown.

MODEL	PLANT	DRIVETRAIN	PRODUCTION CHANGE EFFECTIVE VIN
GS 350	Tahara	2WD	JTHBE96S*70021100
		AWD	JTHCE96S*70008761
IS 250		2WD	JTHBK262*75042230
		AWD	JTHCK262*75013384
IS 350	TMK	2WD	JTHBK262*72048694
		AWD	JTHCK2*2*72017368
	Tahara	All	JTHBE262*75015870
			JTHBE262*72011435

### Repair Procedure

1. Place/raise the vehicle on a lift in order to access the undercarriage of the vehicle.
2. Place an under-hoist stand on the rear portion of the exhaust pipe (see Figure 1).

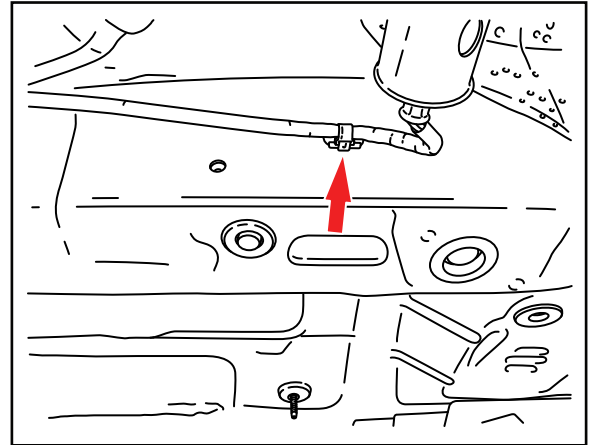


## HVAC Evaporator Drain Blockage

### Repair Procedure (Continued)

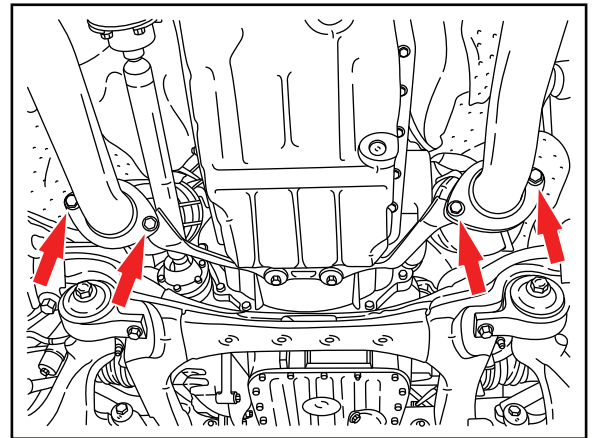
3. Remove the LH O2 sensor wire from the clips (see Figure 2).

Figure 2.



4. Remove the 2 bolts between the LH/RH exhaust manifold and exhaust pipe (see Figures 3 and 4).

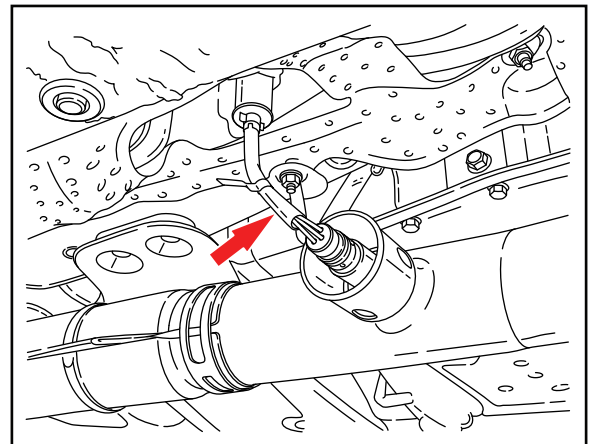
Figure 3.



**NOTICE**

Make sure the wire harness for the O2 sensors is NOT pulled too tightly when the exhaust bolts are removed. The under-hoist stand is used to prevent the harness from being pulled too tightly.

Figure 4.



# HVAC Evaporator Drain Blockage

## Repair Procedure (Continued)

### 5. AWD Vehicles:

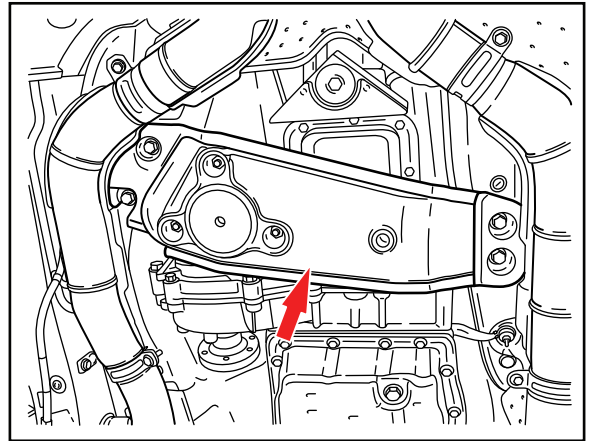
Remove the front propeller shaft.

Refer to the Technical Information System (TIS), applicable model and model year Repair Manual:

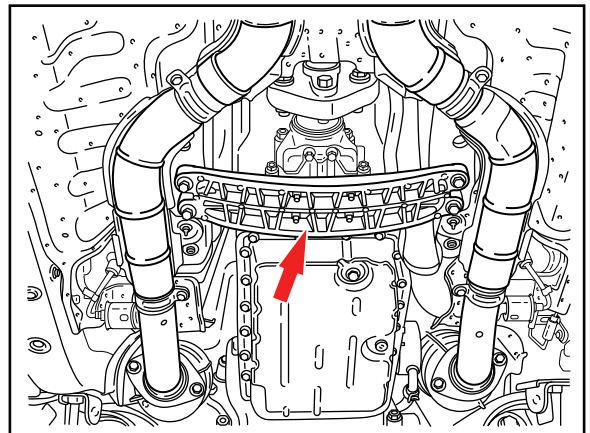
- [2006](#) GS 300:  
*Drivetrain – Drive Shaft/Propeller Shaft – “Propeller Shaft: Front Propeller Shaft Assembly (for 4WD): Removal”*
- [2007](#) GS 350:  
*Drivetrain – Drive Shaft/Propeller Shaft – “Propeller Shaft: Front Propeller Shaft Assembly (for 4WD): Removal”*
- [2006](#) / [2007](#) IS 250:  
*Drivetrain – Drive Shaft/Propeller Shaft – “Propeller Shaft: Front Propeller Shaft Assembly (for 4WD): Removal”*

6. Place the transmission jack under the cross brace (see Figures 5 and 6).

**Figure 5. Transmission Cross Brace on AWD Vehicles**



**Figure 6. Transmission Cross Brace on 2WD Vehicles**

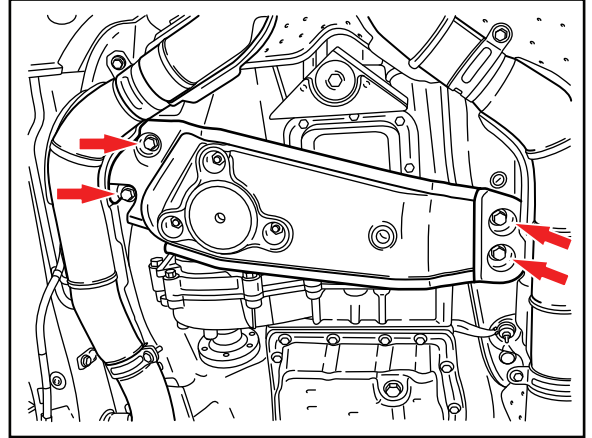


## HVAC Evaporator Drain Blockage

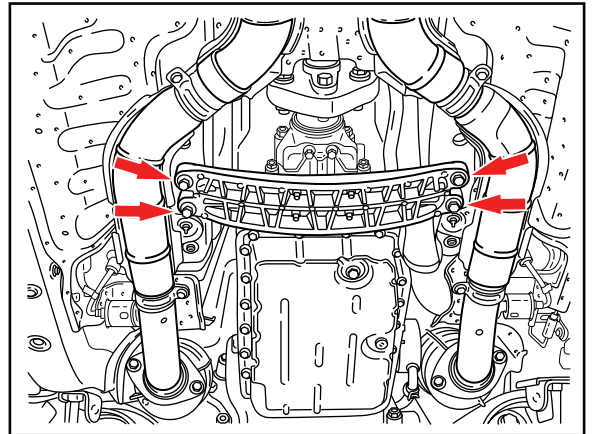
### Repair Procedure (Continued)

7. Remove the 4 bolts to the transmission cross brace (see Figures 7 and 8).

**Figure 7. AWD Vehicles**



**Figure 8. 2WD Vehicles**

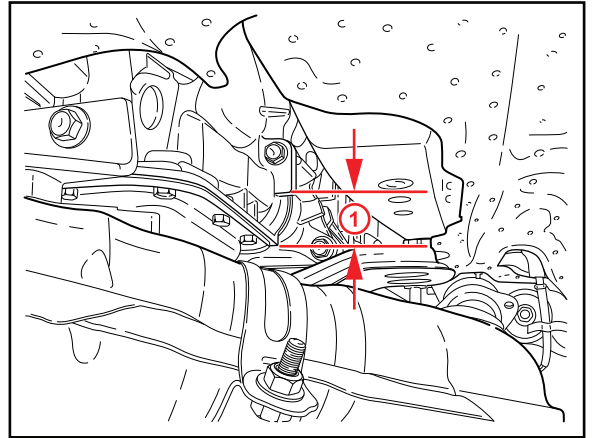


# HVAC Evaporator Drain Blockage

## Repair Procedure (Continued)

- Lower the transmission jack no more than 40 mm (1.57 in.).

Figure 9.

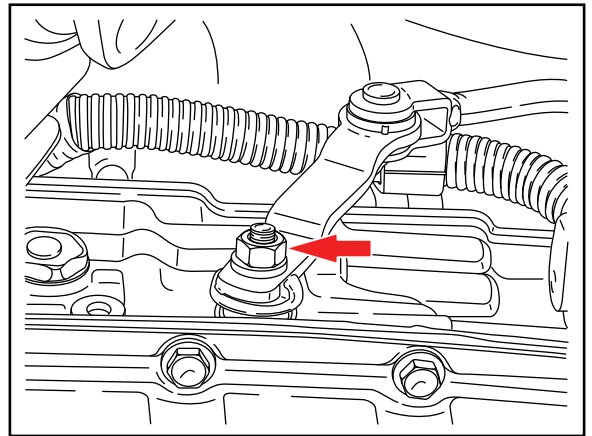


<b>1</b>	<b>40 mm (1.57 in.)</b>
----------	-------------------------

- Remove the shift linkage nut and move the linkage out of the way.

Figure 10. Shift Linkage Nut (AWD Vehicles)

**NOTE**  
 Shift linkage nut is located on the LH side for AWD and the RH side for 2WD.

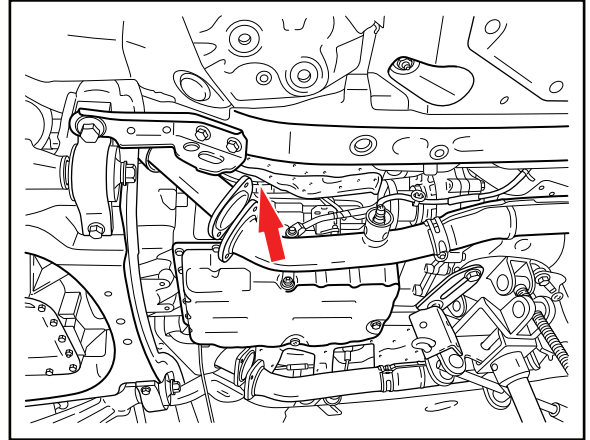


## HVAC Evaporator Drain Blockage

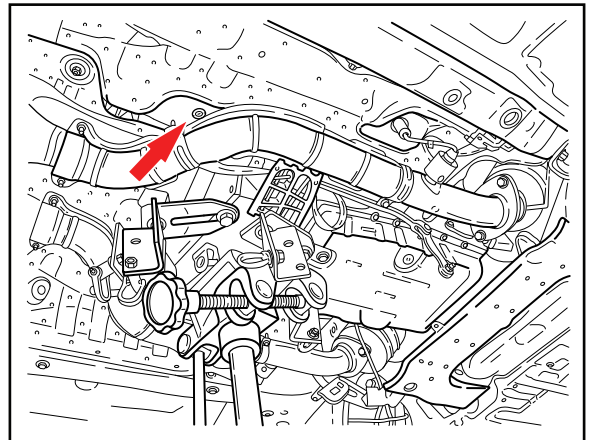
### Repair Procedure (Continued)

10. Stand on the side of the transmission and look up at the bottom of the floor pan directly above the transmission to locate the evaporator drain grommet (see Figures 11 and 12).

**Figure 11. AWD Vehicles**



**Figure 12. 2WD Vehicles**



## HVAC Evaporator Drain Blockage

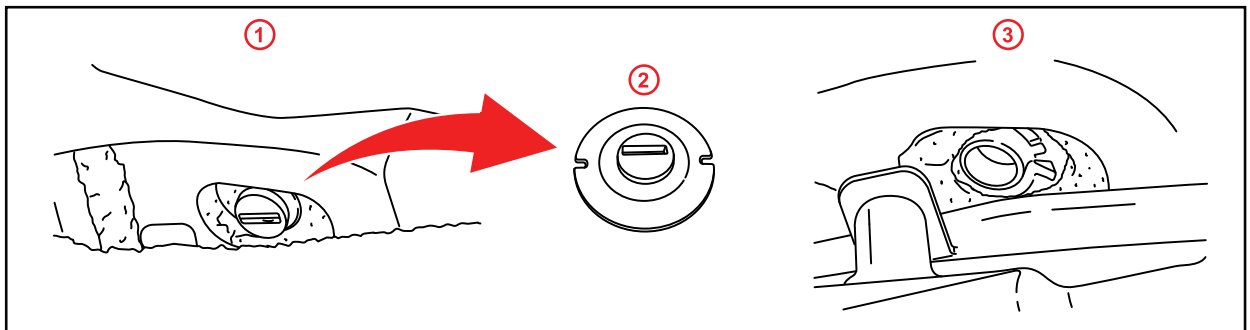
### Repair Procedure (Continued)

- Take a long pair of needle nose pliers and gently pull out the evaporator drain grommet (see Figure 13). Confirm that there is NO foam blocking the evaporator drain port. If foam is blocking the drain port, trim only the foam that is blocking the port.

**NOTE**

Confirm that you are **ONLY** pulling on the evaporator drain grommet. There is foam located behind the grommet that should not be pulled on.

Figure 13.



<b>1</b>	Before Removing Grommet
<b>2</b>	Evaporator Drain Grommet

<b>3</b>	Grommet Removed
----------	-----------------

- Install the shift linkage bolt.  
Torque: 16 N\*m (163 kgf\*cm, 12 ft\*lbf)
- Raise the transmission back to its original position and install the 4 bolts to the cross member.  
Torque: 26 N\*m (265 kgf\*cm, 19 ft\*lbf)



## HVAC Evaporator Drain Blockage

### Repair Procedure (Continued)

**14. AWD Vehicles:**

Install the front propeller shaft.

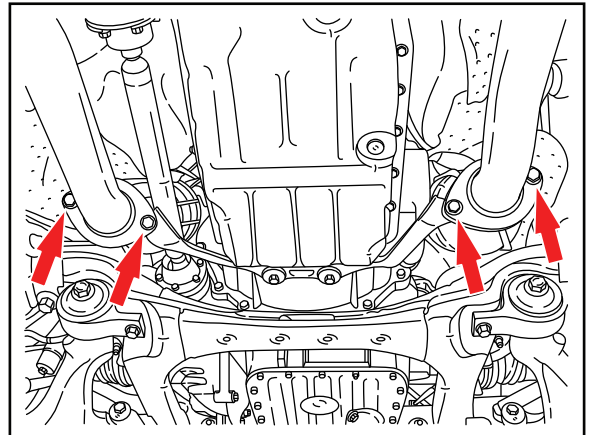
Refer to TIS, applicable model and model year Repair Manual:

- [2006](#) GS 300:  
*Drivetrain – Drive Shaft/Propeller Shaft – “Propeller Shaft: Front Propeller Shaft Assembly (for 4WD): Installation”*
- [2007](#) GS 350:  
*Drivetrain – Drive Shaft/Propeller Shaft – “Propeller Shaft: Front Propeller Shaft Assembly (for 4WD): Installation”*
- [2006](#) / [2007](#) IS 250:  
*Drivetrain – Drive Shaft/Propeller Shaft – “Propeller Shaft: Front Propeller Shaft Assembly (for 4WD): Installation”*

15. Install the 2 bolts between the LH/RH exhaust manifold and exhaust pipe (see Figure 14).

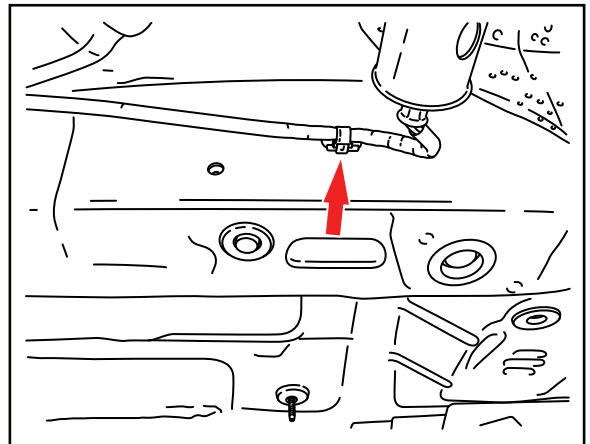
**Torque: 39 N\*m (398 kgf\*cm, 29 ft\*lbf)**

**Figure 14.**



16. Install the LH O2 sensor wire into the 2 clips (see Figure 15).

**Figure 15.**



## HVAC Evaporator Drain Blockage

---

### Repair Procedure (Continued)

17. Remove the under-hoist stand and remove vehicle from lift.
18. Turn on the A/C and confirm water drips out of the evaporator drain.

**NOTE**

If humidity is low, there may be NO water dripping from the evaporator drain.