

<b>Last Modified:</b> 2-23-2009	5.7 A	<b>From:</b> 200607
<b>Model Year:</b> 2007	<b>Model:</b> GS350	<b>Doc ID:</b> RM000000XR4005X
<b>Title:</b> LIGHTING: HEADLIGHT ASSEMBLY: REMOVAL (2007 GS350 GS430)		

## REMOVAL

### HINT:

- Use the same procedures for the RH side and LH side.
- The procedures listed below are for the LH side.

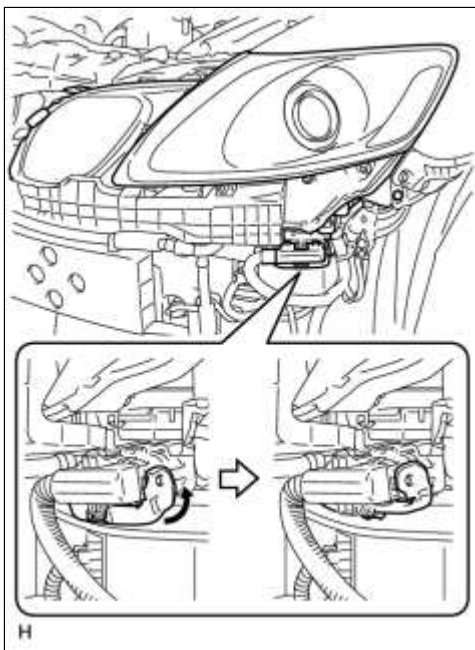
#### 1. DISCONNECT CABLE FROM NEGATIVE BATTERY TERMINAL

#### 2. REMOVE COOL AIR INTAKE DUCT SEAL [INFO](#)

#### 3. REMOVE FRONT BUMPER COVER [INFO](#)

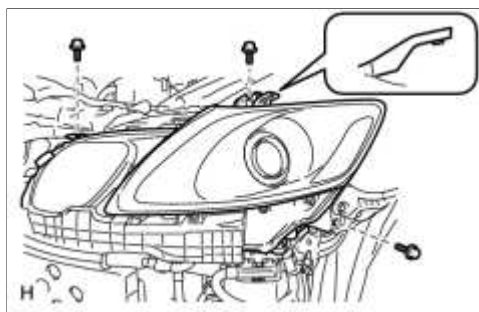
#### 4. REMOVE ENGINE ROOM SIDE COVER [INFO](#)

#### 5. REMOVE HEADLIGHT ASSEMBLY



(a) Disconnect the connector as shown in the illustration.

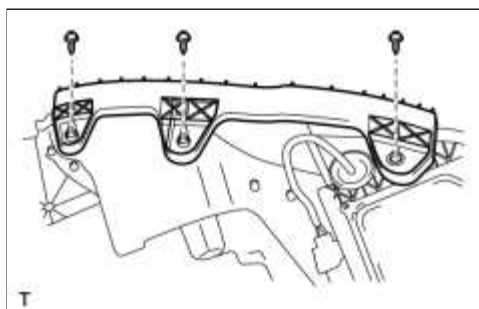
(b) Remove the 3 bolts.



(c) w/ headlight cleaner:

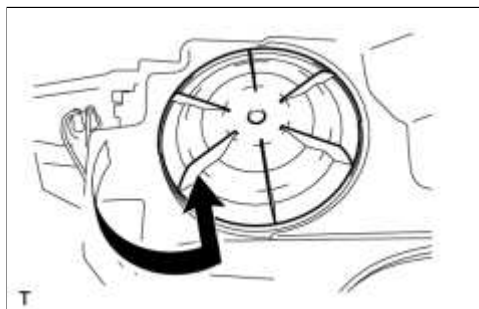
Disconnect the headlight cleaner hose.

(d) Detach the claw and headlight.



## 6. REMOVE FRONT BUMPER SIDE SUPPORT

(a) Remove the 3 screws and bumper side support.

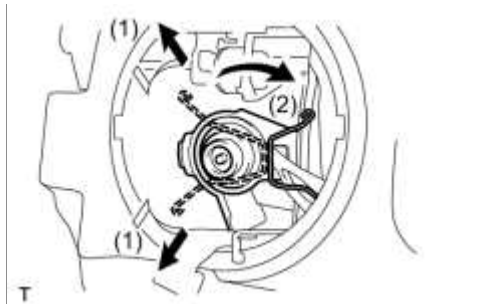
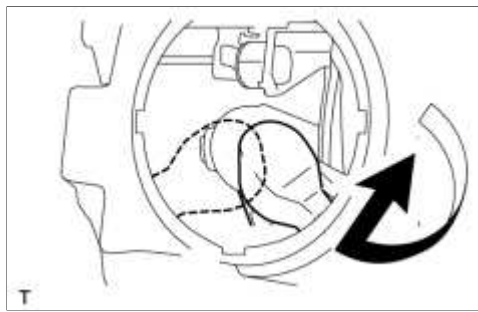


## 7. REMOVE HEADLIGHT NO. 1 BACK COVER

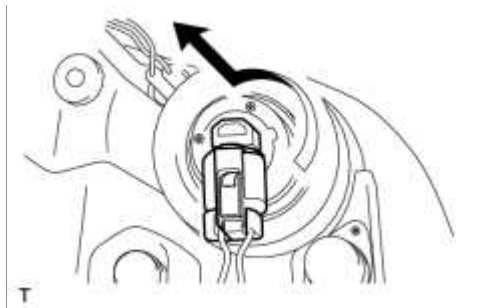
(a) Turn the back cover in the direction indicated by the arrow and remove it.

## 8. REMOVE HIGH-INTENSITY DISCHARGE HEADLIGHT BULB

(a) Turn the bulb in the direction indicated by the arrow and remove the bulb socket.

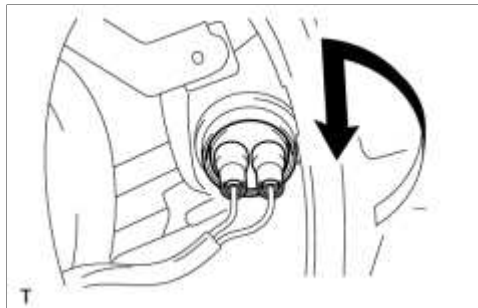


(b) Release the set spring lock as shown in the illustration and remove the bulb.



### 9. REMOVE NO. 2 HEADLIGHT BULB

(a) Turn the headlight bulb No. 2 in the direction indicated by the arrow and remove it.

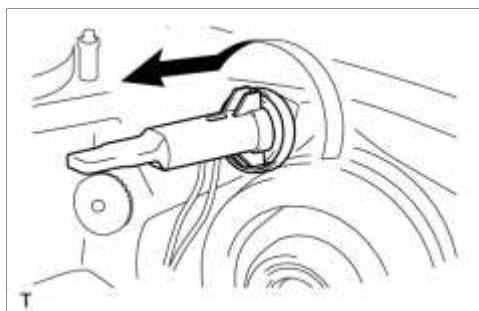


### 10. REMOVE FRONT TURN SIGNAL LIGHT BULB

(a) Turn the front turn signal light socket and the front turn signal light bulb in the direction indicated by the arrow and remove as a unit.

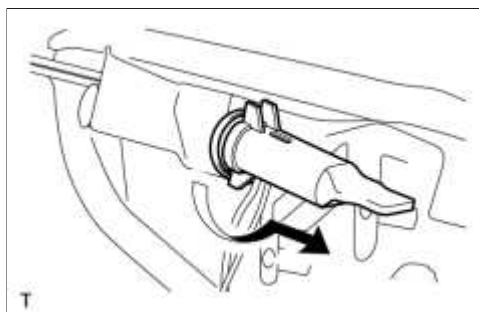
### 11. REMOVE FRONT TURN SIGNAL LIGHT SOCKET

(a) Remove the front unit signal bulb from the front turn signal light socket.



#### 12. REMOVE CLEARANCE LIGHT BULB

- (a) Turn the clearance light socket and clearance light bulb in the direction indicated by the arrow and remove as a unit.



#### 13. REMOVE CLEARANCE LIGHT BULB SOCKET

- (a) Remove the clearance light bulb from the clearance light socket.

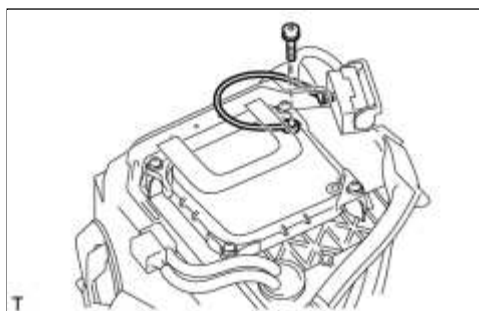
#### 14. REMOVE FRONT SIDE MAKER LIGHT BULB

- (a) Turn the front side maker light bulb socket and front side maker light bulb in the direction indicated by the arrow and remove as a unit.

#### 15. REMOVE FRONT SIDE MAKER LIGHT BULB SOCKET

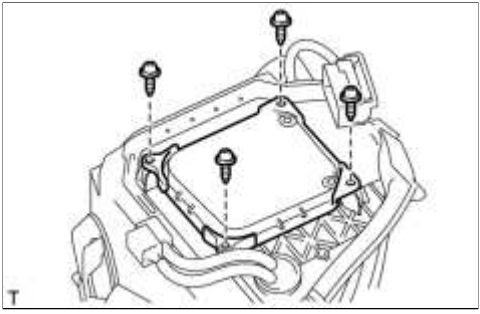
- (a) Remove the front side maker light bulb from the front side maker light socket.

#### 16. REMOVE LIGHT CONTROL ECU

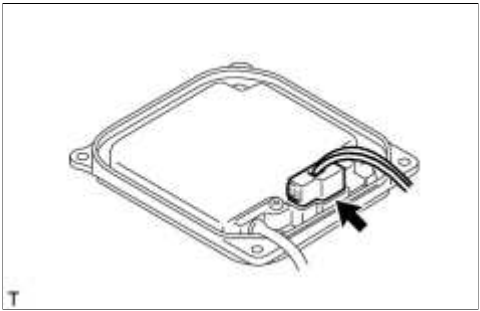


- (a) Remove the screws and headlight protector.

- (b) Remove the 4 screws and light control ECU cover.



(c) Remove the headlight gasket.



(d) Disconnect the connector and ECU.

