

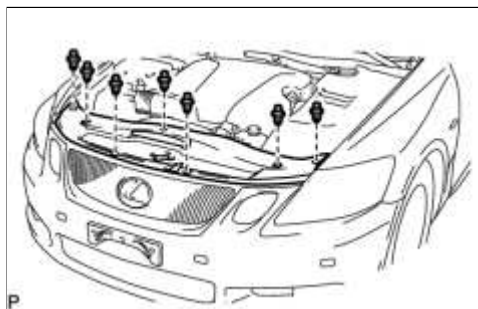
Last Modified: 2-23-2009	5.7 A	From: 200607
Model Year: 2007	Model: GS350	Doc ID: RM0000008XD00JX
Title: EXTERIOR: FRONT BUMPER: REMOVAL (2007 GS350 GS430)		

REMOVAL

1. DISCONNECT CABLE FROM NEGATIVE BATTERY TERMINAL

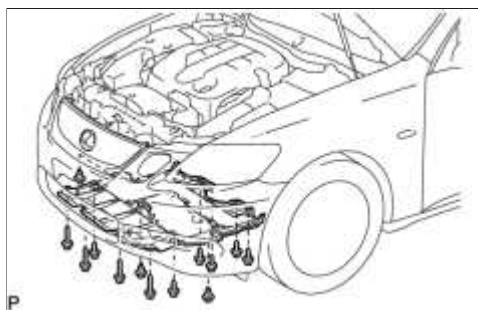
CAUTION:

Wait at least 90 seconds after disconnecting the cable from the negative (-) battery terminal to prevent airbag and seat belt pretensioner activation.



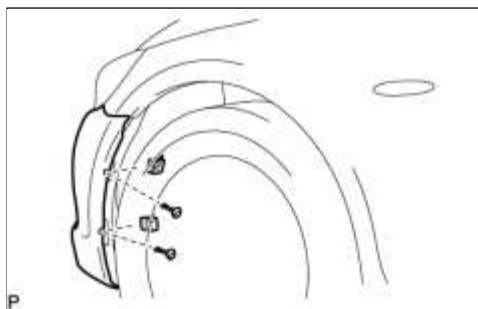
2. REMOVE COOL AIR INTAKE DUCT SEAL

- (a) Using a clip remover, remove the 7 clips and duct seal.



3. REMOVE ENGINE UNDER COVER

- (a) Using a clip remover, remove the 3 clips.
(b) Remove the 10 screws and under cover.



4. REMOVE FRONT FENDER LINER LH

- (a) Using a screwdriver, remove the 2 clips.
(b) Partially remove the fender liner.

HINT:

It is not necessary to fully remove the fender liner. Partially remove it so that the bumper assembly can be removed later.

5. REMOVE FRONT FENDER LINER RH

HINT:

Use the same procedures described for the LH side.

6. REMOVE RADIATOR GRILLE GARNISH

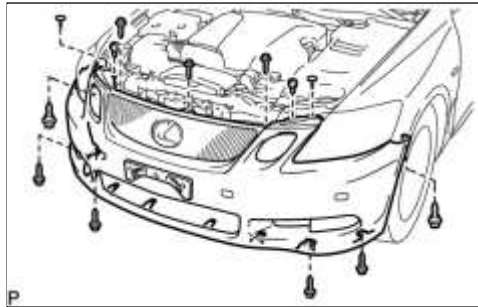
- (a) Detach the 2 claws and remove the 2 garnishes.

7. REMOVE FRONT BUMPER COVER

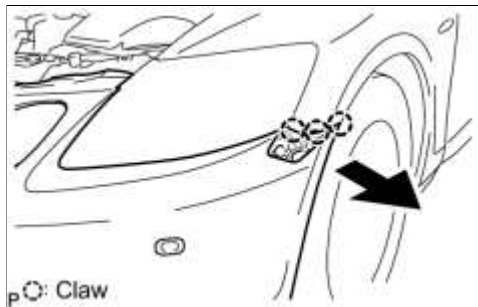
- (a) Using a clip remover, remove the 2 clips.

HINT:

Put protective tape under the front fender.



- (b) Remove the 6 screws and 5 bolts.

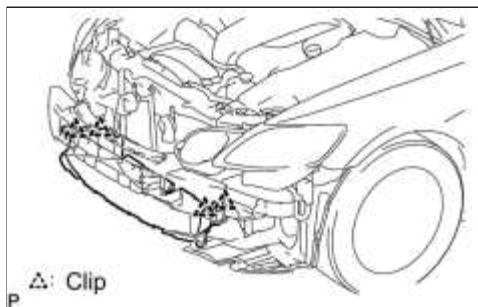


- (c) Pull the bumper cover to detach the 3 claws on the LH side.

- (d) Pull the bumper cover to detach the 3 claws on the RH side and remove the bumper cover.

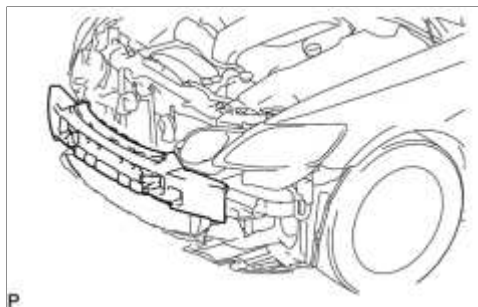
- (e) w/ Clearance sonar system:

Disconnect the ultrasonic sensor connector.



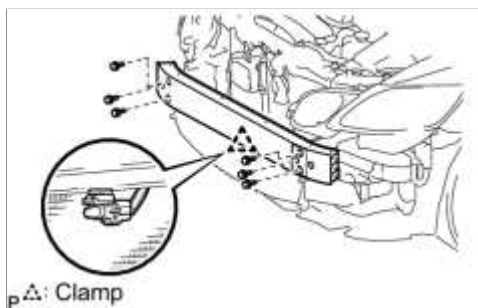
8. REMOVE RADIATOR SUPPORT OPENING COVER

- (a) Remove the 4 clips and cover.



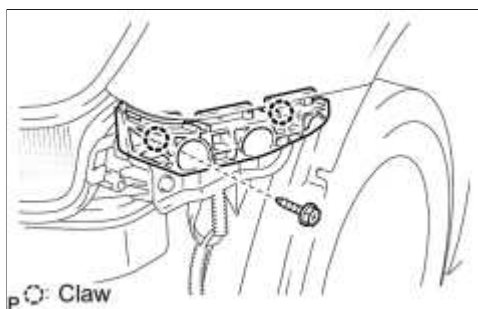
9. REMOVE FRONT BUMPER ENERGY ABSORBER

- (a) Remove the energy absorber.



10. REMOVE FRONT BUMPER REINFORCEMENT

- (a) Detach the clamp and remove the cooler thermistor from the reinforcement.
- (b) Remove the 6 bolts and reinforcement.



11. REMOVE FRONT BUMPER SIDE RETAINER LH

- (a) Remove the screw.
- (b) Detach the 2 claws and remove the retainer.

12. REMOVE FRONT BUMPER SIDE RETAINER RH

HINT:

Use the same procedures described for the LH side.

