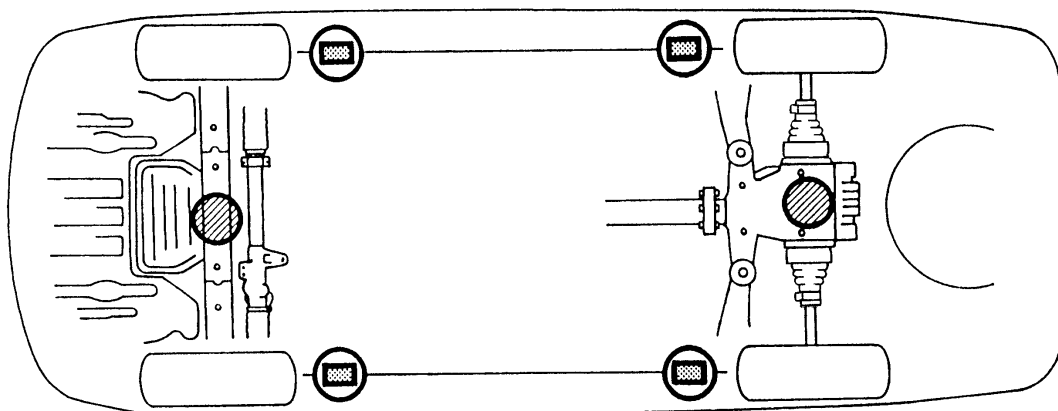
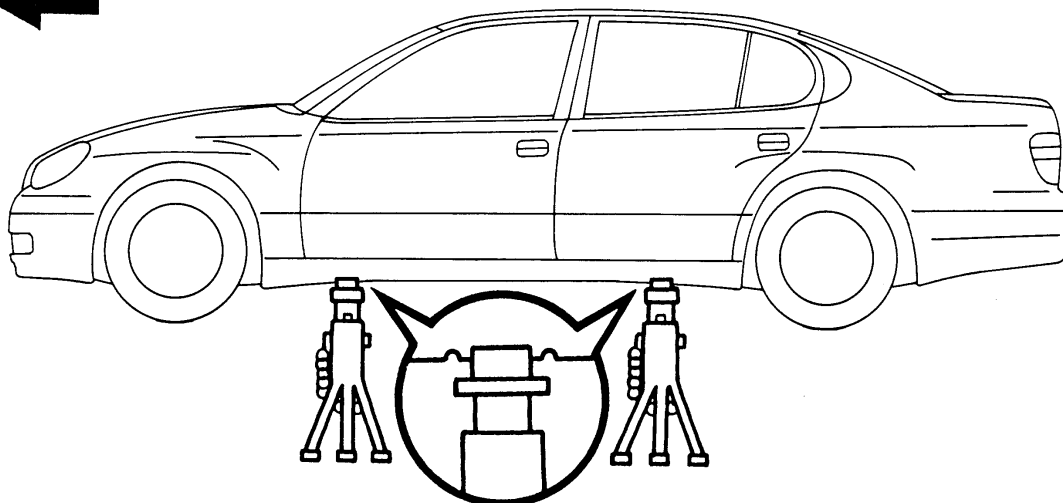


VEHICLE LIFT AND SUPPORT LOCATIONS



Front ←



JACK POSITION _____

Front ----- Front crossmember

Rear ----- Differential carrier



CAUTION : When jacking-up the front and rear, make sure the car is not carrying any extra weight.

PANTOGRAPH JACK POSITION _____



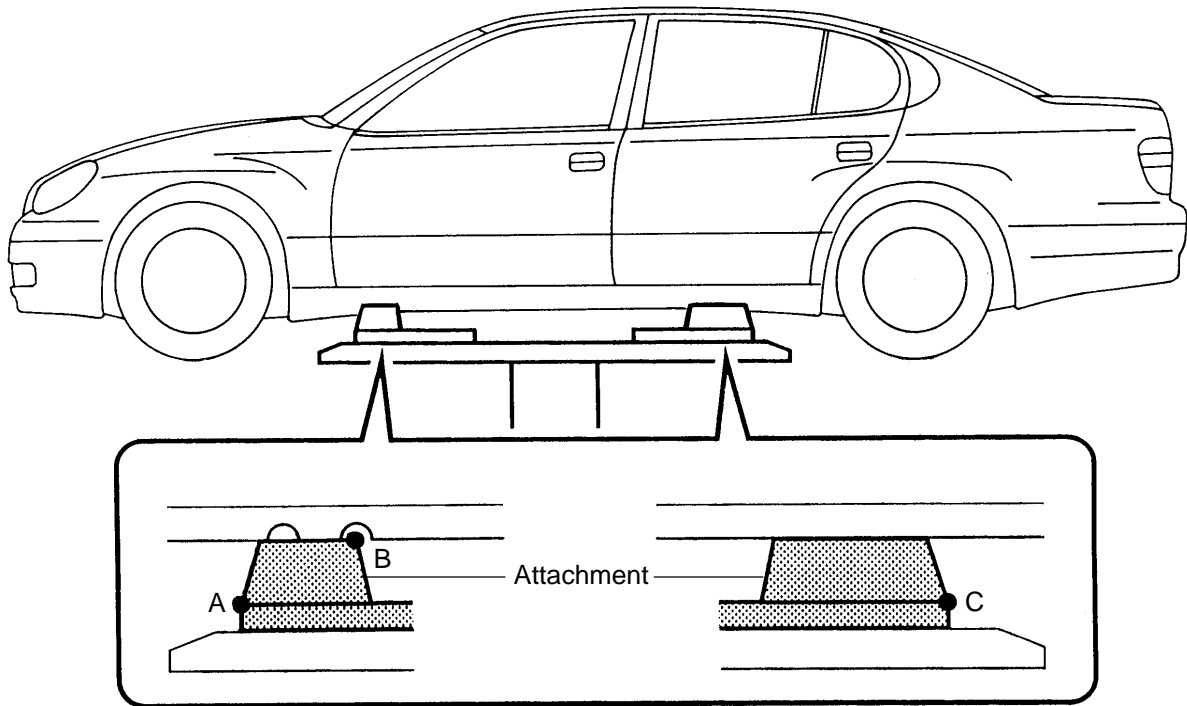
SUPPORT POSITION

Safety stand and swing arm type lift -----



B02385

Plate type lift



HINT :

- | | |
|-----------------------------|--|
| Left and right set position | Place the vehicle over the center of the lift. |
| Front and rear set position | <ul style="list-style-type: none"> ● When using attachments, place the one for front side vertically and the one for rear side horizontally to the vehicle. ● Align the cushion gum ends of the plate with the attachment lower ends (A, C). ● Align the attachment upper end (B) with the rocker flange rear side notch. |

Attachment dimensions

